

# Aulika Focus V2

230V - 60Hz  
220V - 50Hz  
120V - 60 Hz

IT Italiano  
EN English  
FR Français  
DE Deutsch  
ES Español



(IT)

## SOMMARIO

<b>Tav. 01</b>	Telaio / Estetica
<b>Tav. 02</b>	Componenti erogazione
<b>Tav. 03</b>	Impianto elettrico
<b>Tav. 04</b>	Elettrovalvole/Caldaie
<b>Tav. 05</b>	Circuito Idrraulico
<b>Tav. 06</b>	Coperchio superiore/Contentitori
<b>Tav. 07</b>	Macinacaffè
<b>Tav. 08</b>	Motoriduttore
<b>Tav. 09</b>	Gruppo caffè
<b>Tav. 10</b>	Kits macchina

(EN)

## INDEX

<b>EN</b>	Frame / aesthetics
<b>EN</b>	Dispensing components
<b>EN</b>	Electric system
<b>EN</b>	Solenoid Valves/Boilers
<b>EN</b>	Hydraulic System
<b>EN</b>	Top cover/Containers
<b>EN</b>	Grinder
<b>EN</b>	Gearmotor
<b>EN</b>	Coffee Group
<b>EN</b>	Kits Coffee machine

(FR)

## INDEX

<b>FR</b>	Cadre / esthétique
<b>FR</b>	Distribution composants
<b>FR</b>	Installation électrique
<b>FR</b>	Electrovannes/Chaudières
<b>FR</b>	Circuit hydraulique
<b>FR</b>	Couverture supérieure/Conteneurs
<b>FR</b>	Moulin à café
<b>FR</b>	Motoréducteur
<b>FR</b>	Groupe de café
<b>FR</b>	Kits machine à café

(DE)

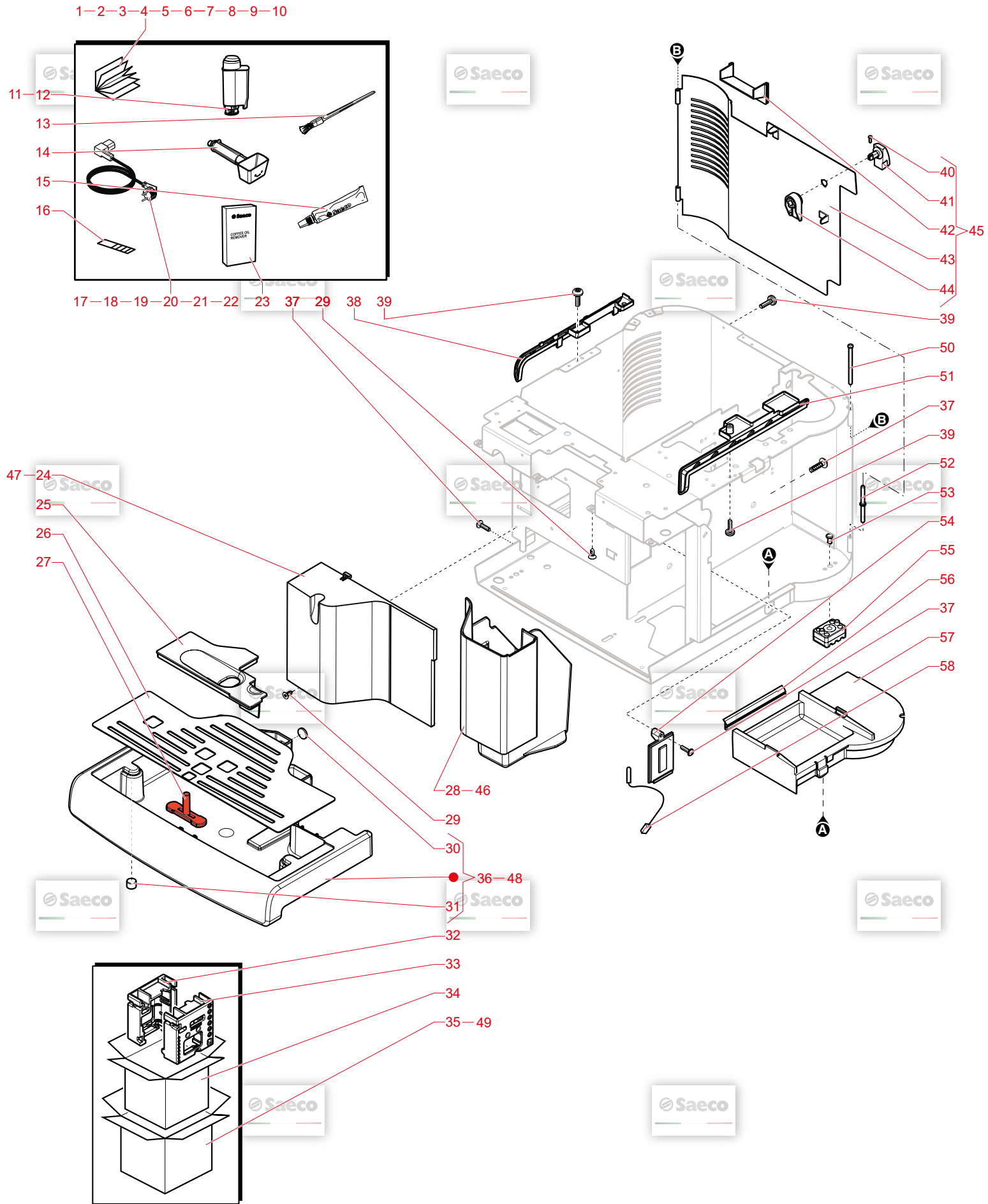
## VERZEICHNIS

<b>DE</b>	Rahmen / Ästhetik
<b>DE</b>	Lieferbestandteile
<b>DE</b>	Schaltbrett
<b>DE</b>	Solenoidventile/Kessel
<b>DE</b>	Wasser Leitung
<b>DE</b>	Obere Abdeckung/Behälter
<b>DE</b>	Kaffeemühle
<b>DE</b>	Getriebemotor
<b>DE</b>	Kaffeegruppe
<b>DE</b>	Kit Kaffeemaschine

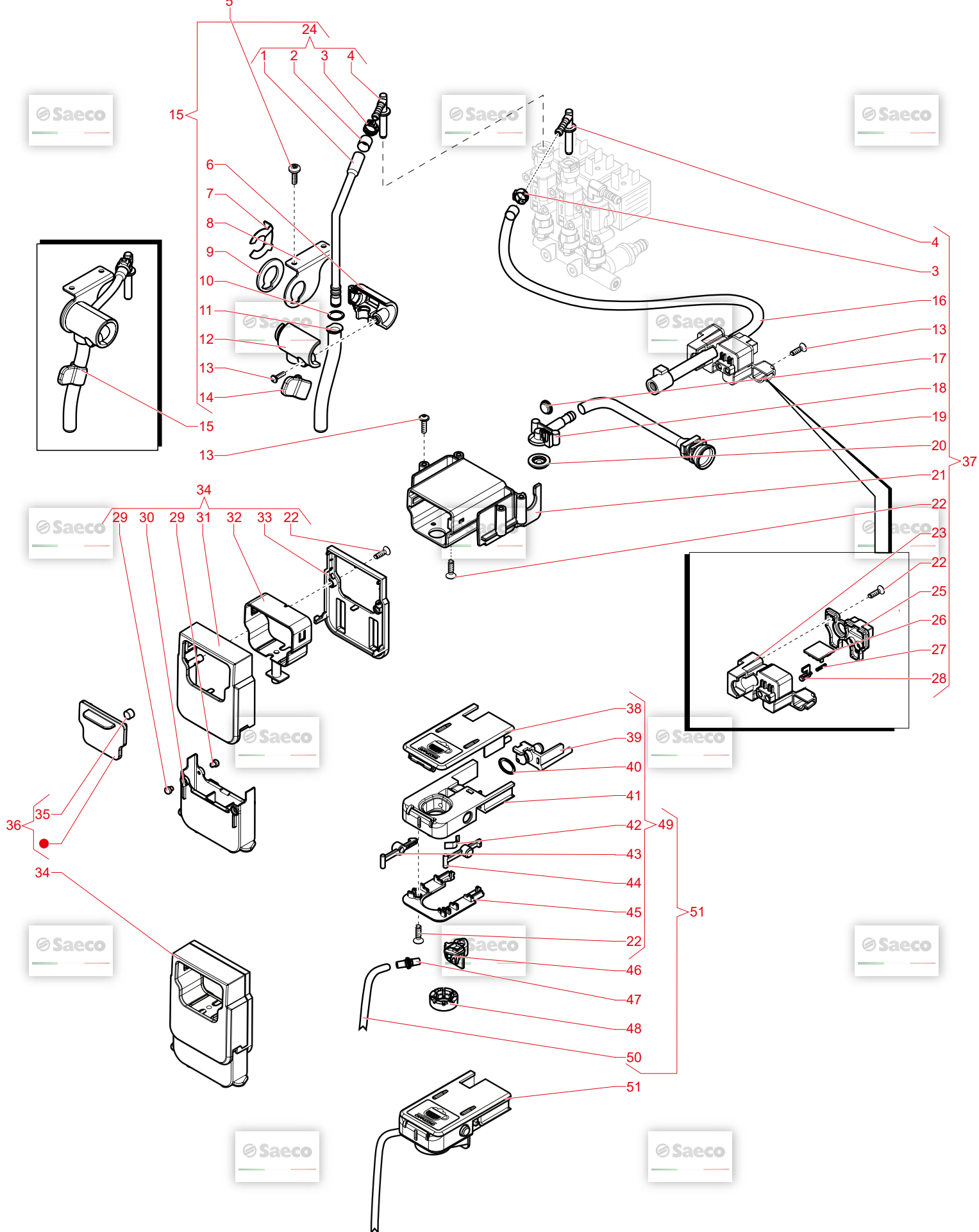
(ES)

## INDICE

<b>ES</b>	Marco / estética
<b>ES</b>	Dispensación componentes
<b>ES</b>	Instalación eléctrica
<b>ES</b>	Válvula de solenoide/Calderas
<b>ES</b>	Circuito idráulico
<b>ES</b>	Cubierta superior/Contenedores
<b>ES</b>	Molinillo de café
<b>ES</b>	Motorreductor
<b>ES</b>	Grupo de café
<b>ES</b>	Kits máquina de café

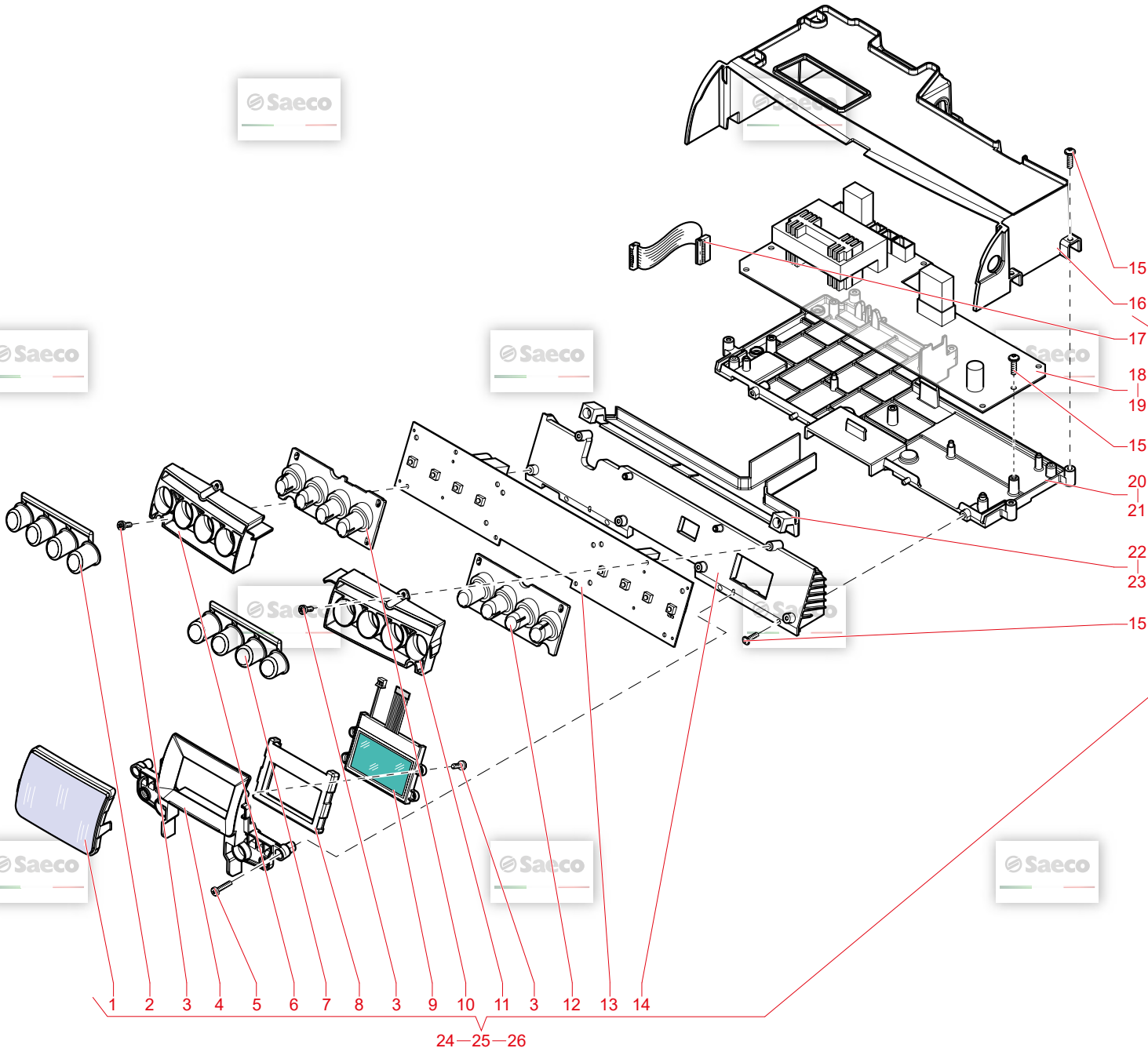


N.POSI	COD	I - DESCRIZIONE	UK - DESCRIPTION	F - DESCRIPTION	D - BEZEICHNUNG	E - DESCRIPCION	NOTE
1	15004952	LIB.IST.SAE SUP040 RYLOP/V2 IT	MANUAL SAE SUP040 RYLOP/V2 IT	MANUAL SAE SUP040 RYLOP/V2 IT	MANUAL SAE SUP040 RYLOP/V2 IT	LIB.IST.SAE SUP040 RYLOP/V2 IT	
2	15004948	LIB.IST.SAE SUP040 RYLOP/V2 GB	MANUAL SAE SUP040 RYLOP/V2 GB	MANUAL SAE SUP040 RYLOP/V2 GB	MANUAL SAE SUP040 RYLOP/V2 GB	LIB.IST.SAE SUP040 RYLOP/V2 GB	
3	15004951	LIB.IST.SAE SUP040 RYLOP/V2 DE	MANUAL SAE SUP040 RYLOP/V2 DE	MANUAL SAE SUP040 RYLOP/V2 DE	MANUAL SAE SUP040 RYLOP/V2 DE	LIB.IST.SAE SUP040 RYLOP/V2 DE	
4	15004949	LIB.IST.SAE SUP040 RYLOP/V2 FR	MANUAL SAE SUP040 RYLOP/V2 FR	MANUAL SAE SUP040 RYLOP/V2 FR	MANUAL SAE SUP040 RYLOP/V2 FR	LIB.IST.SAE SUP040 RYLOP/V2 FR	
5	15004950	LIB.IST.SAE SUP040 RYLOP/V2 ES	MANUAL SAE SUP040 RYLOP/V2 ES	MANUAL SAE SUP040 RYLOP/V2 ES	MANUAL SAE SUP040 RYLOP/V2 ES	LIB.IST.SAE SUP040 RYLOP/V2 ES	
6	15005090	LIB.IST.SAE SUP040 RYLOP/V2 KOR	USER MANUAL SUP040 RYLOP/V2 KOR	USER MANUAL SUP040 RYLOP/V2 KOR	USER MANUAL SUP040 RYLOP/V2 KOR	LIB.IST.SAE SUP040 RYLOP/V2 KOR	
7	15000411	LIB.IST.SAE SUP040 RYLOP/V2 LIBERTY	USER MANUAL RYLOP GB LIBERTY				
8	15000440	LIB.IST.SAE SUP040 RYLOP/V2 CHN	MANUAL SAE SUP040 RYLOP/V2 CHN	MANUAL SAE SUP040 RYLOP/V2 CHN	MANUAL SAE SUP040 RYLOP/V2 CHN	LIB.IST.SAE SUP040 RYLOP/V2 CHN	
9	15005114	LIB.IST.SAE SUP040 RYLOP/V2 GB	MANUAL SAE SUP040 RYLOP/V2 GB U	MANUAL SAE SUP040 RYLOP/V2 GB U	MANUAL SAE SUP040 RYLOP/V2 GB U	LIB.IST.SAE SUP040 RYLOP/V2 GB	
10	15005115	LIB.IST.SAE SUP040 RYLOP/V2 FR U	MANUAL SAE SUP040 RYLOP/V2 FR U	MANUAL SAE SUP040 RYLOP/V2 FR U	MANUAL SAE SUP040 RYLOP/V2 FR U	LIB.IST.SAE SUP040 RYLOP/V2 FR	
11	21002661	ACC MAVEA WATER FILTER 1UNIT(100	ACC MAVEA WATER FILTER 1UNIT(100	NON DISPONIBLE POUR LA FRANCE ET	ACC MAVEA WATER FILTER 1UNIT(100	ACC MAVEA WATER FILTER 1UNIT(100	
12	21002660	ACC BRITA WATER FILTER 1UNIT(10	ACC BRITA WATER FILTER 1UNIT(10	FILTRE BRITA INTENZA 1 UNITE (10	ACC BRITA WATER FILTER 1UNIT (10	ACC BRITA WATER FILTER 1UNIT (10	
13	127390100	PENNELLO PER PULIZIA	BRUSH FOR CLEANING		Reinigungsinsel	PENNELLO PER PULIZIA	
14	421944033301	MISURINO GRASSO SMART NER.	BLK ABS COFFEE MEASURE SMART	MEASURE CAFE POUIDRE	KLUBERLUB NH1 11-222 TUBE 5GR.	BLK ABS COFFEE MEASURE SMART	
15	4219440317941	TUBETTO GRASSO DI LUBRIFICAZIONE	KLUBERLUB NH1 11-222 TUBE 5GR.	TUBE DE GRAISSE SILICONE 5GR.	KLUBERLUB NH1 11-222 TUBE 5GR.	TUBETTO GRASSO DI LUBRIFICAZIONE	
16	0301_961	STICKER TEST DUREZZA ACQUA	STICKER FOR WATER HARDNESS TEST	TEST DE DURETE D'EAU	Teststreifen Für Wasserhärte	STICKER TEST DUREZZA ACQUA	
17	11001985	CAVO AL KOREA 3X1 H05VV-F NER.L=	BLACK POWER CABLE KOREA L=1200	NON UTILISE PAR LA FRANCE ET LE	Netzabel Korea H05VV-F 3x1 Sz.	CAVO AL KOREA 3X1 H05VV-F NER.L=	
18	11004247	CAVO AL CHINA RYV 3X1 C/C NER.L=1	BLACK POWER CABLE RYV 3X1 CHINA	NON UTILISE PAR LA FRANCE ET LE	Netzabel Schwarz China L=1200mm	CAVO AL CHINA RYV 3X1 C/C NER.L=1	
19	183911050	CAVO AL SCH.3X1 H05VV-F NER.L=12	BLACK POWER CABLE SCHUKO L=1200	CABLE ALIMENTATION	NETZANSCHLUßKABEL	CAVO AL SCH.3X1 H05VV-F NER.L=12	
20	183921950	CAVO AL USA SJT3 UL 16AWG NERO L	POWER CABLE SJT3 USA BLACK UL L=	POWER CABLE SJT3 USA BLACK UL L=	Netzabel schwarz USA L=1200 mm	CAVO AL USA SJT3 UL 16AWG NERO L	
21	183940650	CAVO AL AUSTRAL.3X1 H05VV-F NERO	BLACK POWER CABLE AUSTRALIA L=12	CABLE ALIMENTATION AUSTRAL.H05VV	Netzabel schwarz AUSTRAL	CAVO AL AUSTRAL.3X1 H05VV-F NERO	
22	NE01_093	CAVO AL ARGENTO/SPINA EN60320 C	CABLE ARGENTINA + PLUG EN60320 C	NON UTILISEE PAR LA FRANCE ET LE	Anschlusskabel Argentinien	CAVO AL ARGENTO/SPINA EN60320 C	
23	21002663	ACC COF.OIL REMOVER 1UNIT CORE+W	ACC COF.OIL REMOVER 1UNIT CORE+W	ACC COF.OIL REMOVER 1UNIT CORE+W	ACC COF.OIL REMOVER 1UNIT CORE+W	ACC COF.OIL REMOVER 1UNIT CORE+W	
24	11035745	COP.ANT.CARC.RYL/T VERN. ANTI/L	ANT. FRONT CASING COVER RYL/T	ANT. FRONT CASING COVER RYL/T	Deckel s Abtropfschale New Roya	COP.ANT.CARC.RYL/T VERN. ANTI/L	
25	17000982	COP.VASCA REC.ACQ.RYL NER.	BLACK DRIP TRAY COVER RYL	COUVERCLE BAC EGOUTTEMENT	Deckel s Abtropfgitter INOX	COP.VASCA REC.ACQ.RYL NER.	
26	17000183	GRIGLIA VASCA REC.ACQ.RYL/T INOX	BASS DRIP TRAY GRATE RYL	GRILLE BAC RECUPERATION EAU INOX	Abtropfgitter INOX	GRIGLIA VASCA REC.ACQ.RYL/T INOX	
27	17000991	GALLEGGIA VASCA REC.ACQ.V2 RYL ROS.	RED FLOAT V2 FOR DRIP TRAY RYL	FLOTTEUR BOX EAU USEES ROUGE	RED FLOAT V2 FOR DRIP TRAY RYL	GALLEGGIA VASCA REC.ACQ.V2 RYL ROS.	
28	11035746	AS.CAS.FONDI RYL VERN. ANTI/L	ANT.DUMP BOX RYL ASSY.	ANT.DUMP BOX RYL ASSY.	RED DUMP BOX RYL ASSY.	AS.CAS.FONDI RYL VERN. ANTI/L	
29	129535721	VITE TSP 3.5X9.5 DIN7982 TORX IN	SCREW TSP TORX 10 AB 3.5X9.5 SHE	VIS TSP 3.5X9.5	Senkkopfschraube 3,5 x 9,5	VITE TSP 3.5X9.5 DIN7982 TORX IN	
30	9991_093	MAGNETE D=9.5 X H=1.5	MAGNET FOR FLOAT SUPERAUT.	AIMANT BAC A MARC MAGIC	MAGNET	MAGNETE D=9.5 X H=1.5	
31	9161_111	MAGNETE X GALLEGGIANTE SUPERAUT.	MAGNET FOR FLOAT SUPERAUT.	FLOTTEUR MAGNETIQUE	MAGNET	MAGNETE X GALLEGGIANTE SUPERAUT.	
32	13001330	INS.SX SCATOLA RYL PS-E	INS.SX SCATOLA RYL PS-E	INSERT GAUCHE DE PROTECTION	INS.DX SCATOLA RYL PS-E	INS.SX SCATOLA RYL PS-E	
33	13001319	INS.DX SCATOLA RYL PS-E	PS-E RIGHT INSERT FOR BOX RYL	INS.DROIT DE PROTECTION	WHITE BOX RYL/T SAE ROYAL ONE TOU	INS.DX SCATOLA RYL PS-E	
34	13001640	SCAT.BIA.RYL/T SAE ROYAL ONE TOU	WHITE BOX RYL/T SAE ROYAL ONE TO	CARTON D'EMBALLAGE	WHITE EXT.BOX AULIKA FOCUS & GRA	SCAT.BIA.RYL/T SAE ROYAL ONE TOU	
35	11036500	SCATEST.BIA.AULIKA FOCUS & GRAN	WHITE EXT.BOX AULIKA FOCUS & GRA	WHITE EXT.BOX AULIKA FOCUS & GRA	ANT.DRIP TRAY RYL ASSY.	SCATEST.BIA.AULIKA FOCUS & GRAN	
36	11035695	AS.VASCA REC.ACQ.RYL VERN. ANTI/L	ANT.DRIP TRAY RYL ASSY.	ANT. EAU USEES	ANT.DRIP TRAY RYL ASSY.	AS.VASCA REC.ACQ.RYL VERN. ANTI/L	
37	12000450	VITE TCBR 3.5X12 PLAST.ZN-N	SCREW TCBR TORX 10 3.5X12 PLAST.	VIS TCBR TORX 10 3.5X12 PLASTZN	TORXSCHRAUBE 3.5X12	VITE TCBR 3.5X12 PLAST.ZN-N	
38	421941301161	INS.CHIUSURA LATO SX CARC.RYLO/T	BLK CASING LEFT CLOSING INSERT R	INSERT NOIR GAUCHE	BLK CASING LEFT CLOSING INSERT R	INS.CHIUSURA LATO SX CARC.RYLO/T	
39	2001622	VITE TCB B 3.5X9.5 LAMIERA.ZN-N	SCREW TCB TORX B 3.5X9.5 SCHEET	VIS TCB B 3.5X9.5 LAMIERA.ZN-N	TORXSCHRAUBE 3.5X9.5	VITE TCB B 3.5X9.5 LAMIERA.ZN-N	
40	U433_001	CHIODO 2X6 UNI 7591 BRU	NAIL 2X6 UNI 7591 BURN.	RIVET	Niete 2X6	CHIODO 2X6 UNI 7591 BRU	
41	0301_039_150	POM.CHIUSURA SPORT.GRI/7015	7015/GREY DOOR CLOSURE KNOB	7015/GREY DOOR CLOSURE KNOB	Verschluß 7015	POM.CHIUSURA SPORT.GRI/7015	
42	11027160	COP.SPRT.RYL GRI/7021 SER.	7021/GREY DOOR COVER S/SCR.RYL	INSERT DE PORTE	7021/GREY DOOR COVER S/SCR.RYL	COP.SPRT.RYL GRI/7021 SER.	
43	11031133	SPORT.CARC.RYL ACC.VERN.NER.	BLACK STEEL CASING DOOR RYL	PORTE NOIRE RYL	BLACK STEEL CASING DOOR RYL	SPORT.CARC.RYL ACC.VERN.NER.	
44	0301_040_150	LEVA CHIUSURA SPORT.GRI.	GREY DOOR CLOSURE LEVER	CLANCHE PORTILLON GRISE	Verschlußriegel grau	LEVA CHIUSURA SPORT.GRI.	
45	11031114	AS.SPRT.CARC.RYL ACC.NER.	BLACK STEEL CASING DOOR RYL ASSY	BLACK STEEL CASING DOOR RYL	AS.SPRT.CARC.RYL ACC.NER.	AS.SPRT.CARC.RYL ACC.NER.	
46	11031200	AS.CAS.FONDI RYL NER.D/VERN.	UNPAINTED DUMP BOX RYL ASSY.	UNPAINTED DUMP BOX RYL ASSY.	AS.SPRT.CARC.RYL ACC.NER.	AS.CAS.FONDI RYL NER.D/VERN.	
47	421944011841	COP.ANT.CARC.RYL NER.D/VERN.	UNPAINTED DRIP TRAY RYL ASSY.	UNPAINTED DRIP TRAY RYL ASSY.	AS.CAS.FONDI RYL NER.D/VERN.	COP.ANT.CARC.RYL NER.D/VERN.	
48	11031201	AS.VASCA REC.ACQ.RYL NER.D/VERN.	WHT NEUT EXT.BOX.AULIKA.F&GC			AS.VASCA REC.ACQ.RYL NER.D/VERN.	
49	13000002	SPINA SPORT.SUPERAUT.OT/NIK	NIK/BRASS PIN FOR DOOR SUPERAUT.			SPINA SPORT.SUPERAUT.OT/NIK	
50	0301_019	INS.CHIUSURA LATO DX CARC.RYL NE	BLACK CASING RIGHT CLOSING INSERT	AXE DE PORTE	Scharnierbolzen oben	INS.CHIUSURA LATO DX CARC.RYL NE	
51	11031307	SPINA SPORT.SUPERAUT.OT/NIK	NIK/BRASS PIN FOR DOOR SUPERAUT.	INSERT NOIR COTE DROIT	BLACK CASING RIGHT CLOSING INSERT	SPINA SPORT.SUPERAUT.OT/NIK	
52	0301_020	PERNO FISSAG.PIEDINO RIGIDO MYB9	BLACK RIGID FOOT FIXING PIN MYB9	PIVOT DE FIXATION PIED	Scharnierbolzen unten	PERNO FISSAG.PIEDINO RIGIDO MYB9	
53	11021769	INS.PIAS.MONTAG.RYL GRI.	GREY MOUNTING PLATE INSERT RYL	INSERT PLAQUE DE MONTAGE	Fixierungsnase Gehäusfuß	INS.PIAS.MONTAG.RYL GRI.	
54	17000240	PIEDINO RIGIDO MYB9 NER/TRASP.	BLACK/TRANSPARENT FOOT MYB9	PIED RIGIDE	GREY MOUNTING PLATE INSERT RYL	PIEDINO RIGIDO MYB9 NER/TRASP.	
55	11021829	GUARNIZIONE X PIASTRA GRUPPO	SEAL FOR UNIT PLATE	GARNITURE GROUPE CAFE	Gehäusfuß	GUARNIZIONE X PIASTRA GRUPPO	
56	9161_140	PIAS.SUPP.GRUPP.ROYAL GRI.	GREY BREW UNIT SUPPORT PLATE ROY	PLAQ.GROUPE CAFE GRISE	Dichtung Brühgruppe MA, RO	PIAS.SUPP.GRUPP.ROYAL GRI.	
57	0301_041_150	AS.CONN.2P.SENS.REED FONDI CST	2POLES CONNECT.SENSOR REED DUMP	CONNECTEUR 2 POLES	2POLES CONNECT.SENSOR REED DUMP	AS.CONN.2P.SENS.REED FONDI CST	
58	17800442						



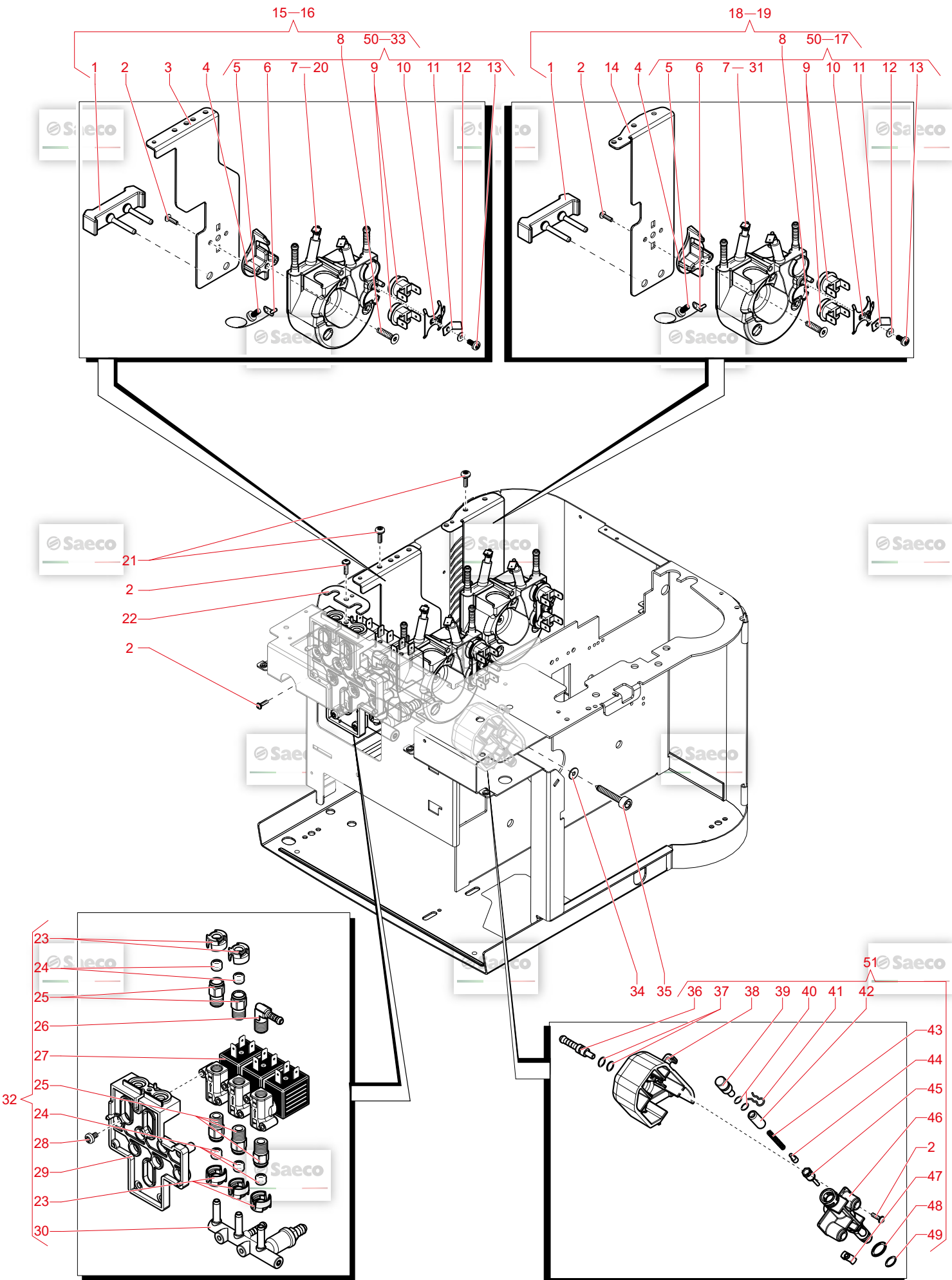


N.POSI COD	I - DESCRIZIONE	UK - DESCRIPTION	F - DESCRIPTION	D - BEZEICHNUNG	E - DESCRIPCION
1	11022989 TUBO EROG.VAP.MDS SILIC.NER.	BLACK SILIC.STEAM DISPENSER TUBE	BLACK SILIC.STEAM DISPENSER TUBE	Dampfrohr schwarz Silikon	BLACK SILIC.STEAM DISPENSER TUBE
2	11025683 TUBO DI=9.5 SP=0.30 L=10	BLACK TUBE DI=9.5 SP=0.30 L=10	BLACK TUBE DI=9.5 SP=0.30 L=10	BLACK TUBE DI=9.5 SP=0.30 L=10	BLACK TUBE DI=9.5 SP=0.30 L=10
3	12000892 FASCETTA OETIKER D=9.5 16700004	OETIKER CLAMP D=9.5 16700004	AGRAFES OETIKER D=9.5 16700004	OETTINGERKLEIMME D=9.5	FASCETTA OETIKER D=9.5 16700004
4	17002197 RAC.TUBO VAP/CAPPUC.V4 RYL NER.	BLACK CAPPUCIN/STEAM TUBE CONNEC			
5	12001622 VITE TCB B 3.5X9.5 LAMIERA ZN-N	SCREW TCB TORX B 3.5X9.5 SCHEET	VIS TCB B 3.5X9.5 LAMIERA ZN-N	TORXSCHRAUBE 3.5X9.5	VITE TCB B 3.5X9.5 LAMIERA ZN-N
6	17000672 SUPP.POST.TUBO VAP RYL NER.	BLACK REAR STEAM TUBE SUPPORT RY	SUPPORT ARRIERE TUBE VAPEUR	BLACK REAR STEAM TUBE SUPPORT RY	SUPP.POST.TUBO VAP RYL NER.
7	NF11.084 MOLLA A FORCELLA ACC.FOSF.	PHOSPH/STEEL FOLK SPRING	RESSORT A FOURCHE	Klemmfeder HMD - Rohr Incantio, D	MOLLA A FORCELLA ACC.FOSF.
8	17000815 STAFFA SUPP.TUBO VAP RYL ACC.	STEEL STEAM TUBE SUPPORT BRACKET	EQUERRE SUPPORT TUBE VAPEUR	Unterlagscheibe zu Dampfrohr	STAFFA SUPP.TUBO VAP RYL ACC.
9	11001624 RONDELLA TUBO VAP.P0049 NER.	BLACK STEAM TUBE WASHER P0049	RONDELLE DE BLOCAGE TUBE VAPEUR		RONDELLA TUBO VAP.P0049 NER.
10	14032196 OR 2031 NFDA NBR 70 FDA	O-RING 2031 NFDA NBR 70 FDA	O-RING 2031 NFDA NBR 70 FDA	O-RING 2031 NFDA NBR 70 FDA	OR 2031 NFDA NBR 70 FDA
11	11002576 TUBO VAP RYL OT/CROM.TF	TF/CHROM.STEAM TUBE RYL	TUBE VAP RYL OT/CROM.TF	TUBO VAP RYL OT/CROM.TF	TUBO VAP RYL OT/CROM.TF
12	17000437 SUPP.ANT.TUBO VAP RYL NER.	BLACK FRONT STEAM TUBE SUPPORT R	SUPPORT AVANT TUBE VAPEUR	BLACK FRONT STEAM TUBE SUPPORT R	SUPP.ANT.TUBO VAP RYL NER.
13	12000450 VITE TCBR 3.5X12 PLAST.ZN	SCREW TCBR TORX 10 3.5X12 PLAST.	VIS TCBR TORX 10 3.5X12 PLAST.ZN	TORXSCHRAUBE 3.5X12	VITE TCBR 3.5X12 PLAST.ZN
14	17001574 IMPUGN.TUBO VAP RYL NER.	BLACK STEAM TUBE HANDGRIP RYLO	POIGNEE TUBE VAPEUR NOIRE	BLACK STEAM TUBE HANDGRIP RYLO	IMPUGN.TUBO VAP RYL NER.
15	10037416 AS.TUBO VAP.V3 RYL/T OT/TEA OT/C	TF/CHROM.STEAM TUBE V3 RYL/T ASS	AS.TUBO VAP.V3 RYL/T OT/TEA OT/C	TF/CHROM.STEAM TUBE V3 RYL/T ASS	AS.TUBO VAP.V3 RYL/T OT/TEA OT/C
16	20007031 KIT RAC.USCITA VAP/CAPPUC.RYL NE	BLACK CAPPUC.OUTPUT STEAM CONNECT.	KIT RACCORD.OUTPUT STEAM VAPEUR	KIT RACCORD.OUTPUT STEAM CONNECT.	KIT RAC.USCITA VAP/CAPPUC.RYL NE
17	11014016 INS.MAGNETE MYB9 INOX	SS INSERT FOR MAGNET MYB9	INSERTION MAGNET	Aufnahme Magnet	SS.INSERT FOR MAGNET MYB9
18	17000614 TUBO EROG.CAF RYL NER.	BLACK COFFEE DISPENSER TUBE RYL	TUBE EROGATION CAFE	Kaffeauslaufrohr schwarz	TUBO EROG.CAF RYL NER.
19	17000614 RAC.INGRES.CAF.EROG.RYL NER.	BLACK DISPENSER COFF.INLET CONNE	RACCORD PASSAGE CAFE	Raccord schwarz Kaffeezulauf	RAC.INGRES.CAF.EROG.RYL NER.
20	17000337 GUARN.EROG.CAF RYL NER.	BLACK SEAL FOR COFFEE DISPENSER	CARNITURE EROGATION CAFE	Dichtung schwarz Kaffeauslauf	GUARN.EROG.CAF RYL NER.
21	17000257 SUPP.EROG.CAF RYL NER.	BLACK COFFEE DISPENSER SUPPORT R	SUPPORT EROGATION CAFE	BLACK COFFEE DISPENSER SUPPORT R	SUPP.EROG.CAF RYL NER.
22	12000895 VITE TSP 3X10 PLAST.INOX	SCREW TSP TORX 10 3X10 PLAST.SS	VIS TSP 3X10 PLAST.INOX	TORXSCHRAUBE 3X10	SREW TSP TORX 10 3X10 PLAST.SS
23	12000339 SUPP.SCHEDA CAPPUC.RYL NER.	BLACK CAPPUCINATOR BOARD SUPPO	SUPPORT PLATINE CAPPUC.NOIR	BLACK CAPPUCINATOR BOARD SUPPO	SUPP.SCHEDA CAPPUC.RYL NER.
24	20007030 KIT TUBO USCITA VAP RYL NER.	BLACK OUTPUT STEAM TUBE KIT RYL	KIT TUBE VAPEUR	BLACK OUTPUT STEAM TUBE KIT RYL	KIT TUBO USCITA VAP RYL NER.
25	17000348 COP.SUPP.SCHEDA CAPPUC.RYL NER.	BLK CAPPUCINATOR BOARD SUPP.CO	CORPS SUPPORT PLATINE CAPPUC. NO	BLK CAPPUCINATOR BOARD SUPP.CO	COP.SUPP.SCHEDA CAPPUC.RYL NER.
26	11025772 SCHEDA CAPPUC.RYL	CAPPUCINATOR BOARD RYL	PLATINE CAPPUCINATORE	CAPPUCINATOR BOARD RYL	SCHEDA CAPPUC.RYL
27	17000019 MOLLA INS.MICRO CAFARAF.MYB9 ACC.	SS CARAFE MICRO INSERT SPRING MY	RESSORT INSERT	Feder zu Mikroschalter Karaffe	MOLLA INS.MICRO CAFARAF.MYB9 ACC.
28	17000421 INS.PRESENZA CAPPUC.RYL NER.	BLACK CAPPUCINATOR PRESENCE IN	INSERT PRESENCE CAPPUCINATORE	BLACK CAPPUCINATOR PRESENCE IN	INS.PRESENZA CAPPUC.RYL NER.
29	11013085 PATTINO EROG.CAF.MYB9 BIA.	WHITE COFFEE DISPENSER SLIDER MY	PATIN EROGATION CAFE	Gleitstück im Auslauf	PATTINO EROG.CAF.MYB9 BIA.
30	17000246 PARTE MOBILE EST.EROG.CAF RYL NE	BLACK EXT.MOBILE PART COF.DISPEN	PARTIE MOBILE EXTERNE EROGATION	BLACK EXT.MOBILE PART COF.DISPEN	PARTE MOBILE EST.EROG.CAF RYL NE
31	11030102 COP.ANT.EROG.CAF RYL VERN.CRC	CRC FRONT COF.DISPENSER COVER RY	COUVERGLE FRONTAL	CRC FRONT COF.DISPENSER COVER RY	CRC FRONT COF.DISPENSER COVER RY
32	17000251 CORPO INT.EROG.CAF RYL NER.	BLACK INNER BODY COFFEE DISPENS.	CORPS INT. EROGATION CAFE	BLACK INNER BODY COFFEE DISPENS.	CORPO INT.EROG.CAF RYL NER.
33	17000248 COPPOS.EROG.CAF RYL NER.	BLACK REAR COVER COFFEE DISPENSE	CORPS ARRIERE EROGATION CAFE	BLACK REAR COVER COFFEE DISPENSE	COPPOS.EROG.CAF RYL NER.
34	11030101 AS.EROG.CAF RYL CRC	CRC COFFEE DISPENSER RYL ASSY.	ENS. EROGATION CAPPUCINO	CRC COFFEE DISPENSER RYL ASSY.	AS.EROG.CAF RYL CRC
35	9161.111 MAGNETE X GALLEGGIANTE SUPERAUT.	MAGNET FOR FLOAT SUPERAUT.	FLOTTEUR MAGNETIQUE	MAGNET	MAGNETE X GALLEGGIANTE SUPERAUT.
36	11030104 AS.COP.ANT.SUPP.EROG.CAF RYL/T V	CRC FRONT COF.DISP.COVER RYL/T A	PLAQUE FRONTALE SUPP CAPPUCINNO	CRC FRONT COF.DISP.COVER RYL/T A	AS.COP.ANT.SUPP.EROG.CAF RYL/T V
37	11031417 AS.SUPP.EROG.CAF V3 RYL/T OT/TEA	BLK TEA/BR COF.DISPENS.SUPP.V3 R	AS.SUPP.EROG.CAF.V3 RYL/T OT/TEA	AS.SUPP.EROG.CAF.V3 RYL/T OT/TEA	AS.SUPP.EROG.CAF.V3 RYL/T OT/TEA
38	17004098 COP.SUP.CAPPUCINATOR LID LASER RYL	BLK UPPER CAPPUC.LID LASER RYL	BLK UPPER CAPPUC.LID LASER RYL	BLK UPPER CAPPUC.LID LASER RYL	BLK UPPER CAPPUC.LID LASER RYL
39	17000785 RAC.INGRES.LATTE CAPPUC.RYL NER.	BLACK CAPPUC.INPUT MILK CONNECTO	RACCORD ASPIRATION LAIT	BLACK CAPPUC.INPUT MILK CONNECTO	RAC.INGRES.LATTE CAPPUC.RYL NER.
40	NM01.028 OR 106 SILICONE	O-RING 106 SILICONE	JOINT 106	O-Ring 106 SV. MC. P35	OR 106 SILICONE
41	17000338 CORPO CAPPUC.INGRES.SX RYL NER.	BLACK LEFT ENTRY CAPPUCINAT.CAS	CORPS CAPPUCINATORE	BLACK LEFT ENTRY CAPPUCINAT.CAS	CORPO CAPPUC.INGRES.SX RYL NER.
42	17000382 MOLLA INS.BLOCCAG.CAPPUC.RYL INO	SS CAPPUCINATOR INSERT SPRING	RESSORT INOX BLOCAGE INSERT CAPP	MOLLA INS.BLOCCAG.CAPPUC.RYL INO	MOLLA INS.BLOCCAG.CAPPUC.RYL INO
43	17000389 INS.SX.BLOCCAG.CAPPUC.RYL GRI.	GREY LEFT CAPPUCINATOR INSERT	INSERT GAUCHE BLOCAGE CAPPUCIN	INS.SX.BLOCCAG.CAPPUC.RYL GRI.	INS.SX.BLOCCAG.CAPPUC.RYL GRI.
44	17000402 INS.DX.BLOCCAG.CAPPUC.RYL GRI.	GREY RIGHT CAPPUCINATOR INSERT	INSERT DROIT BLOCAGE CAPPUCIN	INS.DX.BLOCCAG.CAPPUC.RYL GRI.	INS.DX.BLOCCAG.CAPPUC.RYL GRI.
45	421941278272 COP.INF.CAPPUC.V2 RYL NER.	BLK LOWER CAPPUCINATOR LID V2	BLK LOWER CAPPUCINATOR LID V2	BLK LOWER CAPPUCINATOR LID V2	COP.INF.CAPPUC.V2 RYL NER.
46	17000336 RAC.TUBO ASPIR.LATTE RYL NEU.	MILK INTAKE TUBE CONNECTOR RYL	RACCORD TUBE ASPIRATION LAIT	Ansaugrohr für Milch	RAC.TUBO ASPIR.LATTE RYL NEU.
47	17001362 INS.RAC.TUBO ASPIR.LATTE V2 RYL	BLK MILK INTAKE TUBE CONNECT.INS	INSERT RACCORD TUBE ASPIRATION L	INS.RAC.TUBO ASPIR.LATTE V2 RYL	INS.RAC.TUBO ASPIR.LATTE V2 RYL
48	17000486 RAC.USCITA LATTE CAPPUC.RYL NER.	BLK CAPPUCIN.OUTPUT MILK CONNEC	RACCORD DE SORTIE LAIT	Einsetz zu Raccord Milchrohr sch	RAC.USCITA LATTE CAPPUC.RYL NER.
49	421941260042 AS.CAPPUC.V2 RYL NER.SER.	BLK CAPPUCINATOR S/SCR.V2 RYLO	CAPPUCINATOR NOIR V2 HSC	Siliconschlauch 3.5x6 l=400 mm E	BLK CAPPUCINATOR S/SCR.V2 RYLO
50	229363500 TUBO SILICONE 3.5X6 L=400 MM TAG	SILICONE TUBE 3.5X6 L=400 MM	TUBE SILICONE 3.5X6 L=400 MM	Cappuccinatore kpl. schwarz bes	TUBO SILICONE 3.5X6 L=400 MM TAG
51	11025751 AS.CAPPUC.RYL NER.SER.	BLACK CAPPUCINATOR S/SCR.RYL A	ENS.CAPPUCINATORE NOIR		AS.CAPPUC.RYL NER.SER.



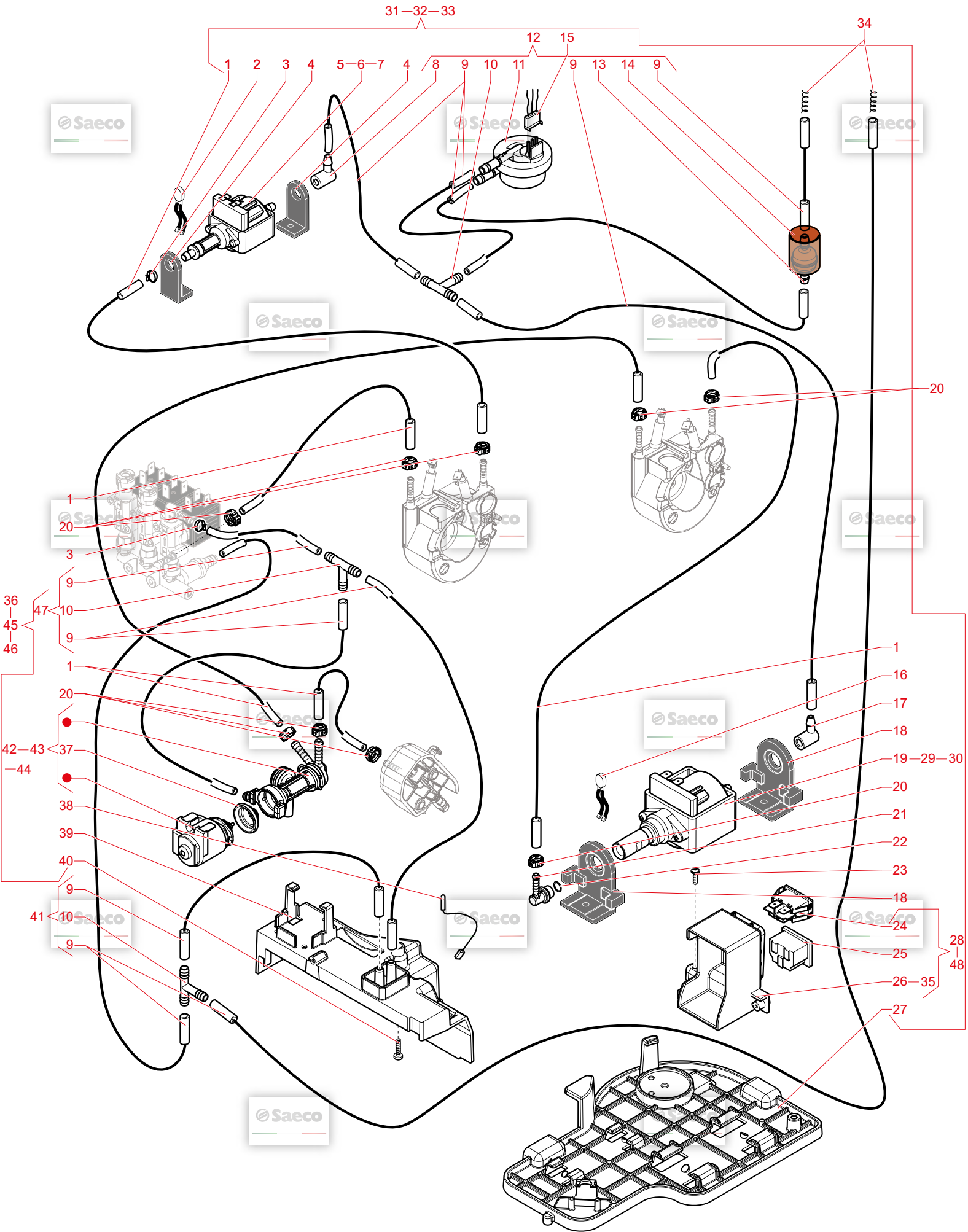
N.POSI COD	I - DESCRIZIONE	UK - DESCRIPTION	F - DESCRIPTION	D - BEZEICHNUNG	E - DESCRIPCION
1	17000289 VETRINO DISPLAY RYL TRASP.	TRANSPARENT GLASS FOR DISPLAY RYL	VITRE AFFICHEUR	Scheibe zu Display transparent	VETRINO DISPLAY RYL TRASP.
2	11035962 COP.TASTIERA SX V3 RYL/T NER.SER	BLK LEFT TOUCH PANEL COVER V3 S/	BLK LEFT TOUCH PANEL COVER V3 S/	BLK LEFT TOUCH PANEL COVER V3 S/	COP.TASTIERA SX V2 RYL/T NER.SER
3	129913202 VITE TCB 3X8 PLAST.ZN-B	SCREW TCB TORX 10 3X8 PLAST.ZN-B	VIS TCB TORX 10 3X8 PLAST.ZN-B	TORX-BLECHSOHR 3X8	VITE TCB 3X8 PLAST.ZN-B
4	17000259 INS.DISPLAY RYL NER.	BLACK DISPLAY INSERT RYL	INSERT AFFICHEUR NOIR	Einsatz für Display schwarz	INS.DISPLAY RYL NER.
5	129914002 VITE TCB 3.5X16 PLAST.ZN-B	SCREW TCB TORX 10 3.5X16 PLAST.Z	VIS TCB 3.5X16 PLAST.ZN-B	TORX-BLECHSOHR 3.5X16	VITE TCB 3.5X16 PLAST.ZN-B
6	17000488 SUPP.TASTIERA SX RYL NER.	BLACK LEFT TOUCH PANEL SUPPORT R	SUPP.TOUCHE GAUCHE	BLACK LEFT TOUCH PANEL SUPPORT R	SUPP.TASTIERA SX RYL NER.
7	11035961 COP.TASTIERA DX V3 RYL/T NER.SER	BLK RIGHT TOUCH PANEL COVER V3 S	BLK RIGHT TOUCH PANEL COVER V3 S	BLK RIGHT TOUCH PANEL COVER V3 S	COP.TASTIERA DX V3 RYL/T NER.SER
8	17000271 GUARN.DISPLAY RYL NER.	BLACK DISPLAY SEAL RYL	GARNITURE DISPLAY RYL NOIR	BLACK DISPLAY SEAL RYL	GUARN.DISPLAY RYL NER.
9	12001779 DISPLAY 160x80 BIANCO	WHITE DISPLAY 160x80	DISPLAY 160x80 BLANC	WHITE DISPLAY 160x80	DISPLAY 160x80 BIANCO
10	17000434 TASTIERA SX RYL TRASP.	TRANSPARENT TOUCH PANEL RYL	BOUTON GAUCHE	TRANSPARENT TOUCH PANEL RYL	TASTIERA SX RYL TRASP.
11	17000244 SUPP.TASTIERA DX RYL NER.	BLACK RIGHT TOUCH PANEL SUPPORT	BLACK RIGHT TOUCH PANEL SUPPORT	BLACK RIGHT TOUCH PANEL SUPPORT	SUPP.TASTIERA DX RYL NER.
12	17000430 TASTIERA DX RYL TRASP.	TRANSPARENT TOUCH PANEL RYL	BOUTON DROIT	TRANSPARENT TOUCH PANEL RYL	TASTIERA DX RYL TRASP.
13	11036816 ASS.CPU+SW AULIKA.2018 B2C	ASS.CPU+SW AULIKA.2018 B2C	ASS.CPU+SW AULIKA.2018 B2C	ASS.CPU+SW AULIKA.2018 B2C	ASS.CPU+SW AULIKA.2018 B2C
14	421941277592 SUPP.SCHEDA CPU V2 RYL NER.	BLK CPU BOARD SUPPORT V2 RYL	SUPP.SCHEDA CPU V2 RYL NER.	SUPP.SCHEDA CPU V2 RYL NER.	SUPP.SCHEDA CPU V2 RYL NER.
15	17000450 VITE TCBR 3.5X12 PLAST.ZN-N	SCREW TCBR TORX 10 3.5X12 PLAST.	VIS TCBR TORX 10 3.5X12 PLASTZN	TORXSCHRAUBE 3.5X12	VITE TCBR 3.5X12 PLAST.ZN-N
16	17000277 COP.SCHEDA CPU-PWR RYL NER.	BLACK CPU-PWR BOARDS COVER RYL	COVERCLE PLATINE CPU	BLACK CPU-PWR BOARDS COVER RYL	BLACK CPU-PWR BOARDS COVER RYL
17	63A006500 14P.FLAT CABLE CPU-PWR EVO RYL	14P.FLAT CABLE CPU-PWR EVO RYL			
18	11030311 SCHEDA PWR RYLO 230V	PWR BOARD RYLO 230V	PLATINE PUISSANCE 230V	PWR BOARD RYLO 230V	SCHEDA PWR RYLO 230V
19	11034620 PWR BOARD AULIKA V2 B2B 120V	PWR BOARD AULIKA V2 B2B 120V	PWR BOARD AULIKA V2 B2B 120V	PWR BOARD AULIKA V2 B2B 120V	PWR BOARD AULIKA V2 B2B 120V
20	11028842 SUPP.SCHEDA PWR RYL UL NER.	BLACK PWR BOARD SUPPORT RYL UL	BLACK PWR BOARD SUPPORT RYL UL	BLACK PWR BOARD SUPPORT RYL UL	BLACK PWR BOARD SUPPORT RYL UL
21	17000275 SUPP.SCHEDA PWR RYL NER.	BLACK PWR BOARD SUPPORT RYL	SUPPLATINE PUISSANCE NOIR	BLACK PWR BOARD SUPPORT RYL UL	SUPP.SCHEDA PWR RYL NER.
22	11028843 PROT.SCHEDA PWR RYL UL NEU.	POWER BOARD PROTECTION RYL UL	POWER BOARD PROTECTION NOIR	POWER BOARD PROTECTION RYL UL	PROT.SCHEDA PWR RYL NER.
23	17001152 PROT.SCHEDA PWR RYL NEU.	POWER BOARD PROTECTION RYL	PROTECTION PLATINE PUISSANCE	POWER BOARD PROTECTION RYL UL	PROT.SCHEDA PWR RYL NEU.
24	11036429 AS.PARTI EL.RYL/T V2 120V UL	EL.COMONENTS RYL/T V2 120V UL A	EL.COMONENTS RYL/T V2 120V UL A	EL.COMONENTS RYL/T V2 120V UL A	AS.PARTI EL.RYL/T V2 120V UL
25	11035749 AS.PARTI EL.RYLOIP V2 230V	ELECTR.PARTS 230V RYLOIP ASSY.V2	ELECTR.PARTS 230V RYLOIP ASSY.V2	ELECTR.PARTS 230V RYLOIP ASSY.V2	AS.PARTI EL.RYLOIP V2 230V
26	11036430 AS.PARTI EL.RYL/T V2 120V	EL.COMONENTS RYL/T V2 120V ASSY	EL.COMONENTS RYL/T V2 120V ASSY	EL.COMONENTS RYL/T V2 120V ASSY	AS.PARTI EL.RYL/T V2 120V





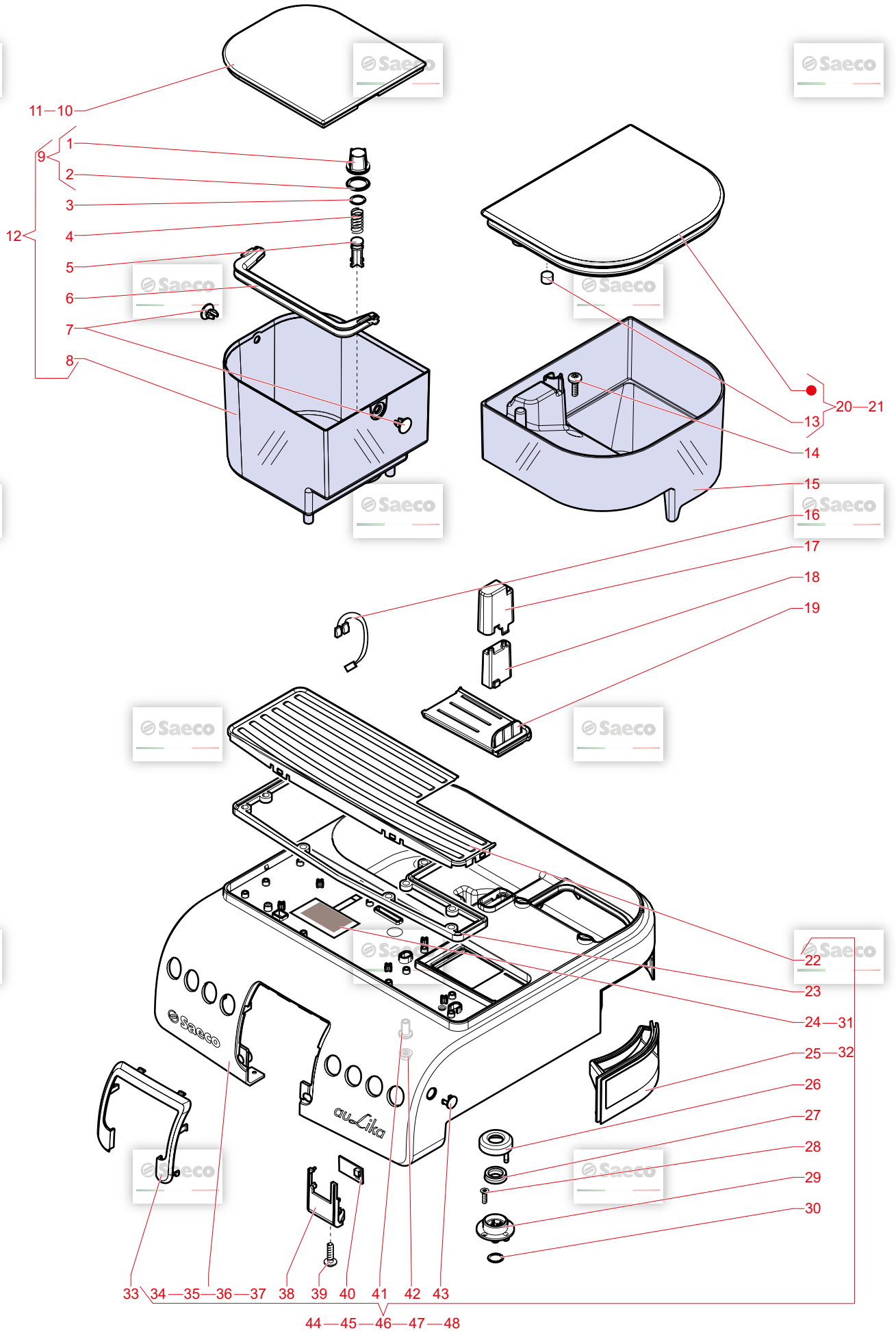
N.POSI	COD	I - DESCRIZIONE	UK - DESCRIPTION	F - DESCRIPTION	D - BEZEICHNUNG	E - DESCRIPCION	NOTE
1	17000471	ANTIVIBRANTE CALD.RYL.NER.	BLACK BOILER ANTIVIBRATION RYL	ANTIVIBRATION CHAUDIERE	BLACK BOILER ANTIVIBRATION RYL	ANTIVIBRANTE CALD.RYL.NER.	
2	12000450	VITE TCBR 3.5X12 PLAST.ZN-N	SCREW TCBR TORX 10 3.5X12 PLAST.	VIS TCBR TORX 10 3.5X12 PLAST.ZN	SUPP.CALD.TUB.VAP.V2 RYL ACC.	SUPP.CALD.TUB.VAP.V2 RYL ACC.	
3	421944057621	SUPP.CALD.TUB.VAP.V2 RYL ACC.	STEEL STEAM TUB.BOL.BoILERS SUPPORT V2	NEU.SLIM.TUB.BoILERS SUPPORT V2	NEU.SLIM.TUB.BoILERS SUPPORT V2	NEU.SLIM.TUB.BoILERS SUPPORT V2	
4	129573402	SUPP.FISSAG.CALDAIE TUB.SLIM.V2	SCREW TAPIT M4x10 DIN 7985 GALV	VIS 4X10 (DIN7985)	Linsenschraube M4x10 DIN7985, mm	Linsenschraube M4x10 DIN7985, mm	
5	190800100	SENSORE TEMPERATURA NTC UL L=280	TUB.BOILER XS4 1300W 230V ASSY.	CHAUDIERE TUBULAIRE NUE XS4 1300	TUB.BOILER XS4 1300W 230V ASSY.	TUB.BOILER XS4 1300W 230V ASSY.	
6	421944024121	AS.CALD.TUB.XS4 1300W 230V	SCREW TSP TORX 10 5X20 PLAST.ZN-	VIS TSP 5X20 PLAST.ZN-B	TORX SCHRAUBE 5X20	VITE TSP 5X20 PLAST.ZN-B	
7	12001280	VITE TSP 5X20 PLAST.ZN-B	TERMOSTAT ONE SHOT 190°	TERMOSTAT ONE SHOT 190°	TERMOSTAT ONE SHOT 190°	TERMOSTATO ONE SHOT 190°	
8	12001033	TERMOSTATO ONE SHOT 190°	TUB.BOILER V3 UPPER THERM.FIXING	RESSORT V3 UPPER THERM.THERMOSTAT	HALTBÜGEL MIT PE	MOLLA FERM.TERMOS.SUP.CALD.TUB.V	
9	11001751	FASTON PIEGATO 45° 6.3X0.8 OTTON	BRASS BEINT FASTON 45° 6.3X0.8	RACCORD DE PROTECTION 45° 6.3X0.	Schutzleiterschleife 45°	FASTON PIEGATO 45° 6.3X0.8 OTTON	
10	124390520	ROSETTA UNI 8842 A4 ZINC.	GALV.WASHER UNI 8842 A4	RONDELLE UNI 8842 A4 ZINC	FÄHRSCHRAUBE A4 3 DIN6798 VERZI	ROSETTA UNI 8842 A4 ZINC.	
11	128310402	VITE TCB M4X8 AUTOFORM.S/TEST DE	SCREW TCB TORX 20 M4X8 AUTOFORMI	VIS CB TORX 20 M4X8 AUTOFORMING	TORX SCHRAUBE 4X8	SCREW TCB TORX 20 M4X8 AUTOFORMI	
12	12001715	VITE TCB M4X8 AUTOFORM.S/TEST DE	STEEL.COFFEE.TUBOL.BoILER SUPPOR	SUPPORT CHAUD / TUBE CAFE	STEEL COFFEE TUBOL.BoILER SUPPOR	SUPP.CALD.TUB.CAF.RYL/T ACC.	
13	17000163	SUPP.CALD.TUB.CAF.RYL/T ACC.	STEAM TUB.BOILER 230V RYL ASSY.	ENS. CHAUDIERE VAPEUR 230V	STEAM TUB.BOILER 230V RYL ASSY.	AS.GEN.CALD.TUB.VAP.RYL 230V	
14	11025183	AS.GEN.CALD.TUB.VAP.RYL 230V	SLIM TUB.BOIL.T190°-190°1300W 12	SLIM TUB.BoIL.T190°-190°1300W 12	SLIM TUB.BoIL.T190°-190°1300W 12	AS.CALD.TUB.VAP.RYL 120V RYL ASSY.	
15	11025183	AS.CALD.TUB.VAP.RYL 120V RYL ASSY.	COFFEE TUB.BOILER 230V RYL/T ASS	ENS. CHAUDIERE CAFE COMPLETE 230V	COFFEE TUB.BOILER 230V RYL/T ASS	AS.GEN.CALD.TUB.CAF.RYL/T 230V	
16	11034740	AS.GEN.CALD.TUB.CAF.RYL/T 230V	COFFEE TUB.BOILER 120V RYL/T ASS	COFFEE TUB.BoILER 120V RYL/T ASS	COFFEE TUB.BoILER 120V RYL/T ASS	AS.GEN.CALD.TUB.CAF.RYL/T 230V	
17	11025705	AS.GEN.CALD.TUB.CAF.RYL/T 230V	SLIM TUB.BOILER 1300W 120V ASSY.	SLIM TUB.BoILER 1300W 120V ASSY.	SLIM TUB.BoILER 1300W 120V ASSY.	COFFEE TUB.BoILER 120V RYL/T ASS	
18	11028182	AS.GEN.CALD.TUB.CAF.RYL/T 120V	VIS TCB B 3.5X9.5 LAMIERA.ZN-N	VIS TCB B 3.5X9.5 LAMIERA.ZN-N	TORXSCHRAUBE 3.5X9.5	SLIM TUB.BoILER 1300W 120V ASSY.	
19	11023153	VITE TCB B 3.5X9.5 LAMIERA.ZN-N	STEEL CONNECTORS FIXING PLATE RY	PLAQUE DE BLOCAGE	STEEL CONNECTORS FIXING PLATE RY	VITE TCB B 3.5X9.5 LAMIERA.ZN-N	
20	12001622	PIAS.BLOCCAG.RACCORDI RYL ACC.	"BLK EV 1/8""GAS.CONNECTOR V2 INSE"	INSERT RACCORD ROUGE	"BLK EV 1/8""GAS.CONNECTOR V2 INSE"	PIAS.BLOCCAG.RACCORDI RYL ACC.	
21	12001178	"INS.RAC.1/8""GAS.ELETTROV2 RYL"	"RED EV CONNECTOR 1/8""GAS SEAL V2"	CONNECTEUR ROUGE	"RED EV CONNECTOR 1/8""GAS SEAL V2"	"INS.RAC.1/8""GAS.ELETTROV2 RYL"	
22	17001178	"GUARN.RAC.1/8""GAS.ELETTROV2 RY"	"TEA/BRASS ELECTROV.CONNECT1/8""GA"	"RAC.1/8""GAS.ELETTROV2 RYL OT/T"	"RAC.1/8""GAS.ELETTROV2 RYL OT/T"	"GUARN.RAC.1/8""GAS.ELETTROV2 RY"	
23	17001909	"RAC.1/8""GAS.ELETTROV2 RYL OT/T"	L-F/BRASS CONNECTOR FOR BOILER A	RACCORD 90°	RACCORD 90°	"RAC.1/8""GAS.ELETTROV2 RYL OT/T"	
24	11027334	RAC.90°CALD-SIL.TELATO AURA OT/L	EV ODE 2 VIE 21JN1R4V20-X031	ELECTROV.2 VOIES	LFBRASS 2W.EV 21JN1R4V20-X031	RAC.90°CALD-SIL.TELATO AURA OT/L	
25	11024469	EV ODE 2 VIE 21JN1R4V20-X031	VITE TCB TORX 20 M4X6 ZN-B	VIS TCB TORX 20 M4X6 ZN-B	Senkschraube TCB TORX 20 M4X6 ZN	EV ODE 2 VIE 21JN1R4V20-X031	
26	17001262	VITE TCB TORX 20 M4X6 ZN-B	BLACK ELECTROV.CONNECTOR SUPPRY	SUPP.ELETTROV/RAC.3VOIE NOIR	BRASS 4WAYS CONNECT+SAFETY VALVE	VITE TCB TORX 20 M4X6 ZN-B	
27	U043.012	SUPP.ELETTROV/RAC.3VIE RYL NER.	BRASS 4WAYS CONNECT+SAFETY VALVE	ENS. VALVES 4 VOIES	BRASS 4WAYS CONNECT+SAFETY VALVE	SUPP.ELETTROV/RAC.3VIE RYL NER.	
28	17000168	SUPP.ELETTROV/RAC.3VIE RYL NER.	TUB.BOILER XS4 1300W 120V ASSY.	ENS. VALVES 4 VOIES	TEA/BRASS ELECTROV.CONNECT1/8""GA"	SUPP.ELETTROV/RAC.3VIE RYL NER.	
29	17001908	AS.RAC.4V.OT+VALV.SIC.5.5-7 B.V3	TUB.BOILER XS4 1300W 120V ASSY.	ENS. VALVES 4 VOIES	LFBRASS 2W.EV 21JN1R4V20-X031	AS.RAC.4V.OT+VALV.SIC.5.5-7 B.V3	
30	421944046121	AS.CALD.TUB.XS4 1300W 120V	TEA/BRASS ELECTROV.V3 24V RYL/T	ENS. BLOC ELECTROVANNE 3 VOIES 24	TEA/BRASS ELECTROV.V3 24V RYL/T	AS.CALD.TUB.XS4 1300W 120V	
31	11031414	AS.ELETTROVALVOLE V3 RYL/T OT/TE	WASHER UNI 8842 A5 SS	RONDELLE	SLIM TUB.BoIL.C2 T190°-190°1300W	AS.ELETTROVALVOLE V3 RYL/T OT/TE	
32	12026314	AS.CALD.TUB.SLIM C2 T190°-190°13	GALVANIZED SELF-TAPPING SCREW 4,	ADAPTEUR DE LIAISON TUBE	SLIM TUB.BoIL.C2 T190°-190°1300W	AS.CALD.TUB.SLIM C2 T190°-190°13	
33	128310521	ROSETTA UNI 8842 A5 INOX	TEA/BRASS CONNECTOR FOR SILICONE	JOINT OR 2015 SILICONE ROUGE	Unterlegscheibe A5.3 DIN 6798 in	ROSETTA UNI 8842 A5 INOX	
34	11003555	VITE TCEI AUTOFILET.4.8X32 ZINC	OR 2015 SILICONE PTFE/FDA	SUPPORT PIVOT	Schraube 4,8 x 32 selbstschneide	VITE TCEI AUTOFILET.4.8X32 ZINC	
35	11000750	RAC.FAST LOCK DIR.TUBO SIL.RETIN	BLACK HOT WATER PIN SUPPORT RYL	BOUCHON PIVOT	Raccord zu Adapter P124	RAC.FAST LOCK DIR.TUBO SIL.RETIN	
36	11000750	OR 2015 SILICONE PTFE/FDA	TEA/BRASS HOT WATER PIN PLUG RYL	JOINT OR 0040-20 SILICONE	O-RING 2015 SILIKON	OR 2015 SILICONE PTFE/FDA	
37	140328059	SUPP.PERNO PASS.ACQ.CALDA RYL NE	OR ORM 0040-20 SILICONE	BOUCHON PIVOT	BLACK HOT WATER PIN SUPPORT RYL	SUPP.PERNO PASS.ACQ.CALDA RYL NE	
38	17000156	TAPPO PERNO PASS.ACQ.CALDA RYL O	SS FORK FOR TUBE D=4	AGRAFE TUYAU	TEA/BRASS HOT WATER PIN PLUG RYL	TAPPO PERNO PASS.ACQ.CALDA RYL O	
39	11026413	OR ORM 0040-20 SILICONE	TEA/BRASS PIN FOR PISTON L=10	BAGUE LAITON	OR ORM 0040-20 SILICONE	OR ORM 0040-20 SILICONE	
40	140326662	FORCELLA X TUBO D=4 INOX	SS SPRING FOR PIN	RESSORT POUR EPINGLE	O-Ring 0040-20 Silikon	FORCELLA X TUBO D=4 INOX	
41	9011.144	BOCC.PERNO CALD OT/TEA	TEA/BRASS BOILER PIN BUSH	ENS PISTON	Fixierhülse zu Boiler messing	BOCC.PERNO CALD OT/TEA	
42	11009012	PERNO X PISTONCINO L=10 OT/TEA	TEA/BRASS PIN FOR PISTON L=10	PIPETTE CHAUDIERE	Slift zu Ventil L=10	PERNO X PISTONCINO L=10 OT/TEA	
43	11009013	MOLLA PISTONCINO INOX	TEA/BRASS PISTON L=20.9 ASSY.	NATURAL CURSOR V2 FOR BOILER P11	FEDER VENTILSTUTZEN	MOLLA PISTONCINO INOX	
44	9011.132	AS.PISTONCINO C/GOLA L=20.9 OT/T	TUB WATER PIN	COURSEUR DE CHAUDIERE P119	VENTILSTIFT + DICHTUNG VITON	AS.PISTONCINO C/GOLA L=20.9 OT/T	
45	11009019	PERNO PASS.ACQUA CALDA	OR ORM 0050-20 IN SILICONE	JOINT OR ORM 50-20	Ventilzapfen MA-RD	PERNO PASS.ACQUA CALDA	
46	9161.434	CURSORE CALD.V2 P119 PEEK NAT.	OR ORM 0090-20 SILICONE	JOINT OR ORM 90-20	GLEITSTÜCK AUSLAUFSTUTZEN	CURSORE CALD.V2 P119 PEEK NAT.	
47	11005089	OR ORM 0090-20 SILICONE	SLIM T.CHAUD.V2 C2 T190-190 1300	CHAUDIERE SLIM V2 T190°-190°1300	O-RING ORM 0090-20 SILICONE	OR ORM 0090-20 SILICONE	
48	NM01.035	AS.CALD.T.SLIM V2 C2 T190°-190°1	TEA/BRASS HOT WATER PIN RYL ASSY	ENS. PIVOT PASSAGE EAU CHAUDE	O-RING ORM 0050-20 SILICONE	AS.CALD.T.SLIM V2 C2 T190°-190°1	
49	4219441229822	AS.PERNO PASS.ACQ.CALDA RYL OT/T			AS.CALD.T.SLIM V2 C2 T190°-190°1	AS.PERNO PASS.ACQ.CALDA RYL OT/T	
50	11025744				AS.CALD.T.SLIM V2 C2 T190°-190°1		
51	11025744				AS.PERNO PASS.ACQ.CALDA RYL OT/T		





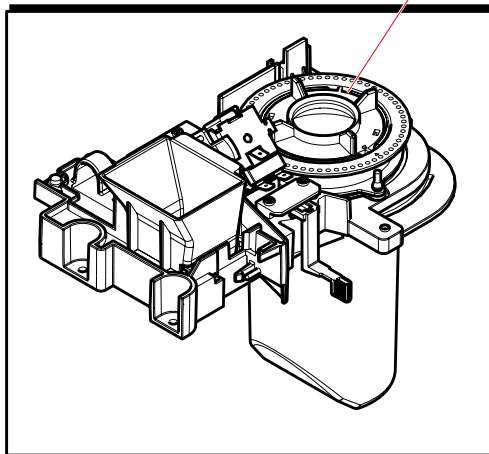
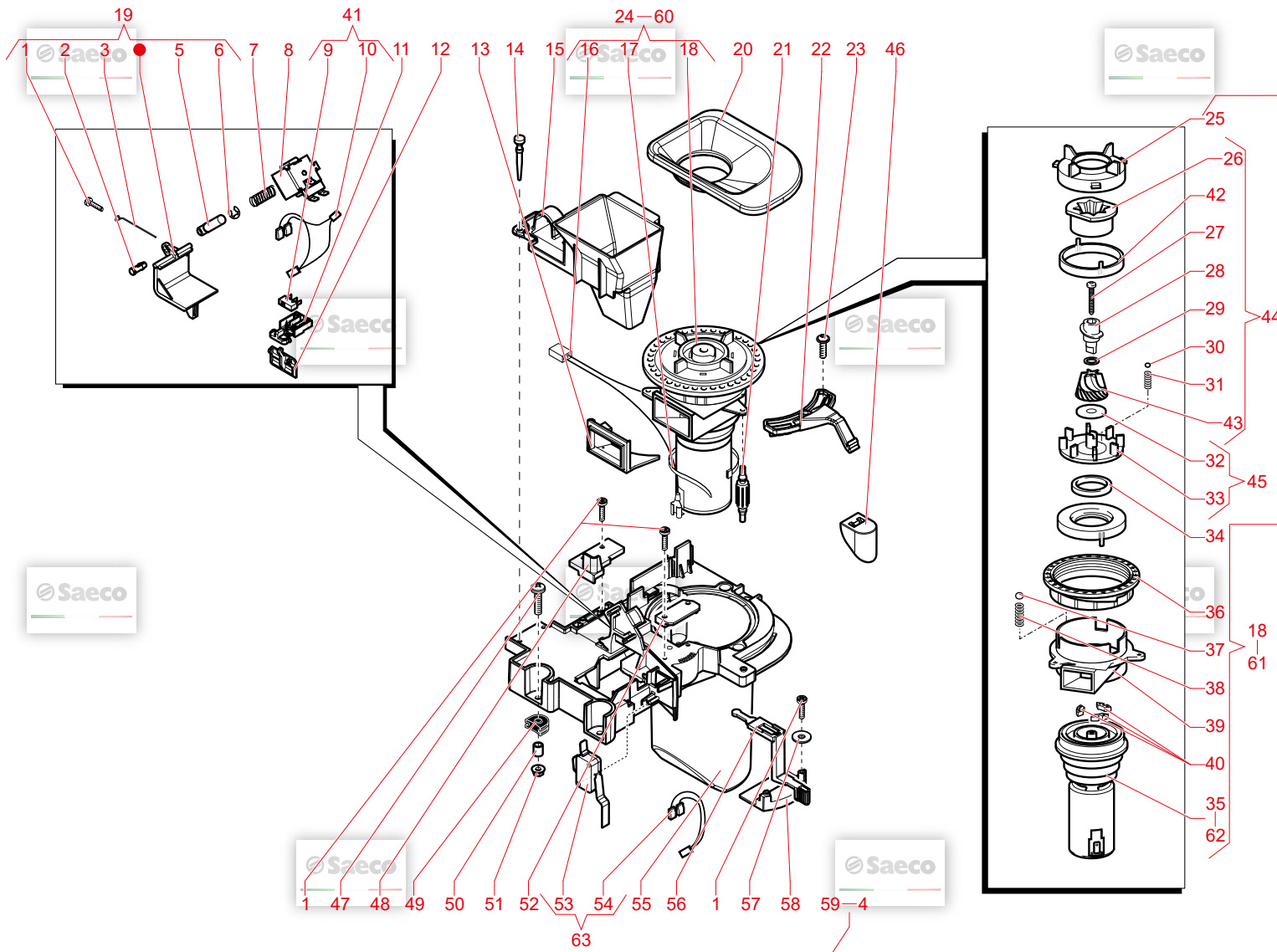


N.POSI	COD	I - DESCRIZIONE	UK - DESCRIPTION	F - DESCRIPTION	D - BEZEICHNUNG	E - DESCRIPCION	NOTE
1	11027788	TUBO SIL.RETIN.5X8.9 L=2000MM RO	PINK 5X8.9 SILICONE TUBE L=2000MM	TUBO SIL.RETIN.5X8.9 L=2000MM RO	TUBO SIL.RETIN.5X8.9 L=2000MM RO	TUBO SIL.RETIN.5X8.9 L=2000MM RO	
2	17800203	AS.CONN.2P.POMPA VAP.RYL UL	SPRINGS HOSE CLAMP D=9.5MM	CONNECTEUR 2 POLES POMPIPES UL	2POLES CONNECTOR STEAM PUMP RYL	AS.CONN.2P.POMPA VAP.RYL UL	
3	18432020	MOLLA.STRINGITUBO D=9.5MM ZINC.G	BLACK/SBD ULKA MF PUMP SUPPORT	ATTACHE DE TUYAU D=9.5	Schlauchklammer Pumpenwinkel	MOLLA.STRINGITUBO D=9.5MM ZINC.G	
4	11029554	SUPP.POMPA UL.KA.MF.SBD/NER.	ULKA PUMP MF 230V-50HZ	SUPPORT POMPE ULKA	BLACK/SBD ULKA MF PUMP SUPPORT	SUPP.POMPA UL.KA.MF.SBD/NER.	
5	12001142	POMPA ULKA MF 230V-50HZ	ULKA PUMP MF 230V-50HZ	POMPE ULKA MF 230V-50HZ	Ulka-Pumpe MF 230V-50HZ klein	POMPA ULKA MF 230V-50HZ	230V
6	12001346	POMPA ULKA MF 120V-60HZ	ULKA PUMP MF 120V-60HZ	ULKA PUMP MF 120V-60HZ	Ulka-Pumpe MF Klein 120V-60HZ	ULKA PUMP MF 120V-60HZ	120V
7	12001348	POMPA ULKA MF 220V-50/60HZ	ULKA PUMP MF 220V-50/60HZ	ULKA PUMP MF 220V-50/60HZ	Ulka-Pumpe MF Klein 220V-50/60HZ	ULKA PUMP MF 220V-50/60HZ	220V
8	11012193	RAC.INGRESSO A 90° POMPA ULKA MF	90° INLET CONNECTOR FOR PUMP ULK	RAC. A 90° POMPA ULKA MF	90° Anschlußgummi Pumpe	RAC.INGRESSO A 90° POMPA ULKA MF	
9	11035450	TUBO SILICONE 5X10 TRASP. L.2000	SILICONE TUBE 5X10 L.2000MM	RAC. A 90° POMPA ULKA MF	Siliconschlauch 5x10 L.2000MM	TUBO SILICONE 5X10 TRASP. L.2000	
10	147920300	RAC.T D=8 ART.80.26.047 KA.461 T	TRANS.CONNECTOR D=8 ART.80.26.04	RACCORD EN TE D=8mm	"Verleierstück -T"-Kunststoff	RAC.T D=8 ART.80.26.047 KA.461 T	
11	NV99.099	AS.TURBINA D=1.2	TURBINE D=1.2 ASSY.	DEBITMETRE D=1.2	TURBINE D=1.2	AS.TURBINA D=1.2	
12	83A035200	FILTRO ASPIRAZ.MDS BIA/TRASP.	GEN.TURBINE TOP RYL/ULH ASSY AU	FILTRE D'ASPIRATION	Ansaufilter MDS weiß/transparen	FILTRO ASPIRAZ.MDS BIA/TRASP.	
13	12001595	PROTEZ.MOLLA.A.FORCELLA TUBO D=4	BLK PROTECTION FOR FOLK SPRING T	PROTECTION DE TUBE	Abdeckung zu Klemmfieder	PROTEZ.MOLLA.A.FORCELLA TUBO D=4	
14	147756562	AS.CONN.6PT.TURBINA V3 RYL UL	6P.CONNECTOR FOR FOLK SPRING T	CONNECTEUR 6 POLES	6P.CONN.FLOWMETER V3 RYL UL ASSY	AS.CONN.6PT.TURBINA V3 RYL UL	
15	421946001551	AS.CONN.2P.POMPA CAF.RYL UL	2POLES CONNECTOR COFFEE PUMP RYL	CONNECTEUR 2 POLES POMPE CAFE	2POLES CONNECTOR COFFEE PUMP RYL	AS.CONN.2P.POMPA CAF.RYL UL	
16	17800202	RAC.INGRESSO A 90° POMPA NEU.	90° INLET PUMP CONNECTOR	RACCORD 90° CAOUTCHOUC	Pumpenschlußwinkel 90° weiß Ku	RAC.INGRESSO A 90° POMPA NEU.	
17	147920150	SUPP.POMPA GMYB NER.	BLACK PUMP SUPPORT GMYB	SUPPORT POMPE NOIR GMYB	Support Pumpe	SUPP.POMPA GMYB NER.	
18	11022857	POMPA ULKA EP5/S 120V-60HZ	ULKA PUMP EP5/S 120V-60HZ	NON UTILISE POUR LA FRANCE ET LE	Ulka-Pumpe EX5 120V	POMPA ULKA EP5/S 120V-60HZ	120V
19	12000131	FASCETTA OETIKER D=9.5 16700004	OETIKER CLAMP D=9.5 16700004	AGRAFES OETIKER D=9.5 16700004	OETTINGERKLEMMME D=9.5	FASCETTA OETIKER D=9.5 16700004	
20	12000892	RAC.90° USCITA POMPA P0049/B NER	BLK PUMP OUTLET 90°CONNECTOR P00	RACCORD 90° SORTIE DE POMPE	Raccord 90° zu Pumpe	RAC.90° USCITA POMPA P0049/B NER	
21	11001054	OR.2031 NFDA NBR 70 FDA	O-RING 2031 NFDA NBR 70 FDA	O-RING 2031 NFDA NBR 70 FDA	O-RING 2031 NFDA NBR 70 FDA	OR.2031 NFDA NBR 70 FDA	
22	140321961	VITE.TC.BR.3.5X12 PLAST.ZN+N	SCREW TCBR TORX 10.3.5X12 PLAST.	VIS TCBR TORX 10.3.5X12 PLASTZN	TORXSCHRAUBE 3.5X12	VITE.TC.BR.3.5X12 PLAST.ZN+N	
23	12000450	INT.BIPOL.FUSIT C1250AR	BIPOLAR SWITCH FUSIT C1250AR	INTERRUPTEUR BIPOLAIRE	Schalter Eir/Aus MA-RD	INT.BIPOL.FUSIT C1250AR	
24	NE03.038	PRESA A VASCH.C/SMUSSI V3 EN 603	CUP SOCKET V3 EN 60320 C 13	SOCLE DE PRISE	CUP SOCKET V3 EN 60320 C 13	PRESA A VASCH.C/SMUSSI V3 EN 603	
25	12001883	SUPP.PRESA E INTERRUT.RYL UL NER	BLACK SOCKET-SWITCH SUPPORT RYL	NON UTILISEE PAR LA FRANCE ET BE	BLACK SOCKET-SWITCH SUPPORT RYL	SUPP.PRESA E INTERRUT.RYL UL NER	
26	11028204	SUPP.COMPONENTI RYLO NER.	BLACK COMPONENTS SUPPORT RYLO	SUPPORT DE COMPOSANT NOIR	BLACK COMPONENTS SUPPORT RYLO	SUPP.COMPONENTI RYLO NER.	UL
27	17000973						UL
28	63A001400						220V
29	12000182	POMPA ULKA EP5/S GW 220V-60HZ	ULKA PUMP EP5/S GW 220V-60HZ	ULKA PUMP EP5/S GW 220V-60HZ NO	Pumpe Ulka	POMPA ULKA EP5/S GW 220V-60HZ	220V
30	421941305991	POMPA ULKA EP5FMGW 230V-50HZ	ULKA PUMP EP5FMGW 230V-50HZ	POMPE ULKA EP5FMGW 230V-50HZ	ULKA PUMP EP5FMGW 230V-50HZ	ULKA PUMP EP5FMGW 230V-50HZ	230V
31	11028600	AS.SUPP.COMPONENTI RYL/T 220V-60	COMPONENTS SUPP.220V-60HZ RYL/T	AS.SUPP.COMPONENTI RYL/T 220V-60	AS.SUPP.COMPONENTI RYL/T 220V-60	AS.SUPP.COMPONENTI RYL/T 220V-60	230V
32	11028600	AS.SUPP.COMPONENTI RYL/T 120V	COMPONENTS SUPP.120V RYL/T ASSY.	AS.SUPP.COMPONENTI RYL/T 120V	AS.SUPP.COMPONENTI RYL/T 120V	AS.SUPP.COMPONENTI RYL/T 120V	120V
33	11034678	AS.SUPP.COMPONENTI V3 RYLO 230V	COMPONENTS SUPP.V3 230V RYLO ASS	AS.SUPP.COMPONENTI RYL/T 120V	AS.SUPP.COMPONENTI RYL/T 120V	AS.SUPP.COMPONENTI RYL/T 120V	230V
34	0701.081	MOLLA X TUBO PRODOTTO 1	SPRING FOR TUBE PRODUCT 1	RESSORT POUR TUBE PRODUIT 1	FEDER IN SCHLAUCH	MOLLA X TUBO PRODOTTO 1	
35	17000162	SUPP.PRESA E INTERRUT.RYL NER.	BLACK SOCKET-SWITCH SUPPORT RYL	SUPPORT PRISE INTERRUPTEUR	Support Stecker und Schalter sch	SUPP.PRESA E INTERRUT.RYL NER.	
36	11025743	AS.PROT+VALV.SCARICO RYL/T NER/2	230V/BLK PROT+BLOWDOWN VALVE RYL	AS.PROT+VALV.SCARICO RYL/T NER/2	AS.PROT+VALV.SCARICO RYL/T NER/2	AS.PROT+VALV.SCARICO RYL/T NER/2	
37	11001513	GUARNIZ.A.MEMBRANA VALV.SCARICO	BLOWDOWN VALVE MEMBRANE SEAL.P00	GUARNIZ.A.MEMBRANA VALV.SCARICO	GUARNIZ.A.MEMBRANA VALV.SCARICO	GUARNIZ.A.MEMBRANA VALV.SCARICO	
38	17800442	AS.CONN.2P.SENS.REED FONDI.CST	2POLES CONNECT.SENSOR REED DUMP	CONNECTEUR 2 POLES	2POLES CONNECT.SENSOR REED DUMP	2POLES CONNECT.SENSOR REED DUMP	
39	17000165	PROT.VASCA REC.ACQ.RYL NER.	BLACK DRIP TRAY PROTECTION RYL	PROTECTION BAC RECUPEAU	BLACK DRIP TRAY PROTECTION RYL	PROT.VASCA REC.ACQ.RYL NER.	
40	129913902	VITE.TC.B 3X12 PLAST.ZN+B	SCREW TC B TORX 10.3X12 PLAST.ZN-	VIS TCB 3X12 PLAST.ZN+B	Torx-Schraube 3x12 ZN-B	VITE.TC.B 3X12 PLAST.ZN+B	
41	11027095	AS.TUBI.SCARICO EV/CONT.ACQ.RYL	WATER CONTAINER/IEV DRAIN TUBES R	ENS.ELECTROVANNNE V3 230V	ENS.ELECTROVANNNE V3 230V ASSY.	AS.TUBI.SCARICO EV/CONT.ACQ.RYL	
42	11025742	AS.VALV.SCARICO V3 RYL.230V	BLOWDOWN VALVE V3 RYL 230V ASSY.	ENS.ELECTROVANNNE V3 220V-60HZ	BLOWDOWN VALVE V3 RYL 230V ASSY.	AS.VALV.SCARICO V3 RYL.230V	230V
43	11028161	AS.VALV.SCARICO V3 RYL.220V-60HZ	BLOWDOWN VALVE V3 RYL 220V-60HZ	BLOWDOWN VALVE V3 RYL 220V-60HZ	BLOWDOWN VALVE V3 RYL 220V-60HZ	AS.VALV.SCARICO V3 RYL.220V-60HZ	220V
44	11028187	AS.VALV.SCARICO V3 RYL.120V	BLOWDOWN VALVE V3 RYL 120V ASSY.	BLOWDOWN VALVE V3 RYL 120V ASSY.	BLOWDOWN VALVE V3 RYL 120V ASSY.	AS.VALV.SCARICO V3 RYL.120V	120V
45	11028149	AS.PROT+VALV.SCARICO RYL/T NER/2	220-60HZ/BLK PROT+BLOWDOWN VALVE RY	AS.PROT+VALV.SCARICO RYL/T NER/2	AS.PROT+VALV.SCARICO RYL/T NER/2	AS.PROT+VALV.SCARICO RYL/T NER/2	120V
46	11028186	AS.PROT+VALV.SCARICO RYL/T NER/1	120V/BLK PROT+BLOWDOWN VALVE RYL	AS.PROT+VALV.SCARICO RYL/T NER/1	AS.PROT+VALV.SCARICO RYL/T NER/1	AS.PROT+VALV.SCARICO RYL/T NER/1	220V
47	11025741	AS.TUBI.SCARICO EV/VALV.RYL	VALVE/IEV DRAIN TUBES RYL ASSY.	AS.PROT+VALV.SCARICO RYL/T NER/1	AS.PROT+VALV.SCARICO RYL/T NER/1	AS.TUBI.SCARICO EV/VALV.RYL	120V
48	63A001500		IEC CONNECTOR RYL ASSY US				



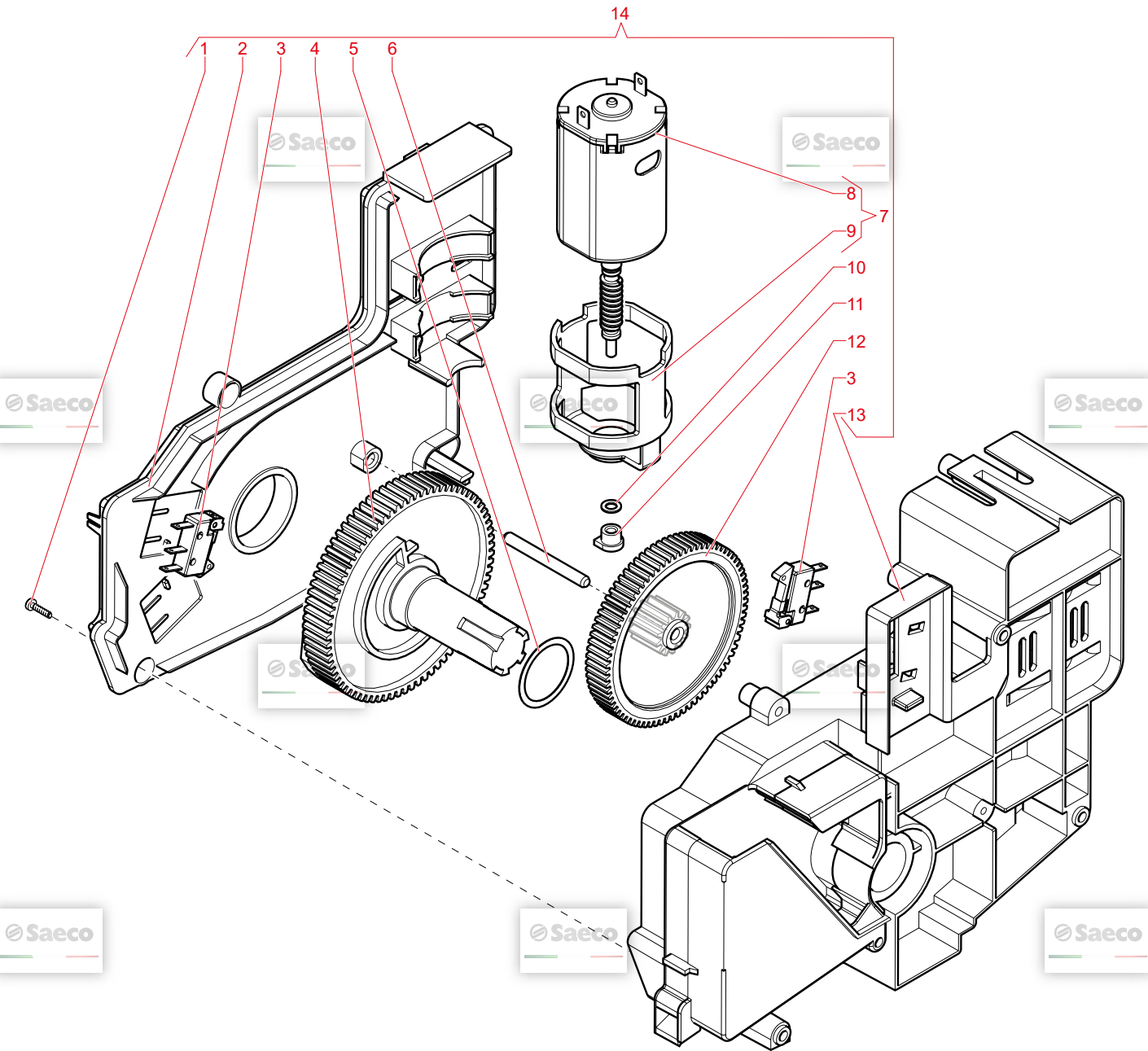


N.POSI	COD	I - DESCRIZIONE	UK - DESCRIPTION	F - DESCRIPTION	D - BEZEICHNUNG	E - DESCRIPCION	NOTE
1	144650800	FILTRO EST.CONT.ACQ.BIA. OR ORM 0190-10 EPDM	WHITE WATER CONTAINER EXT.FILTER OR ORM 0190-10 EPDM	FILTRE POUR RESERVOIR A EAU JOINT OR 0190-10 EPDM	Wasserfilter O-Ring 0190-10 EPDM	FILTRO EST.CONT.ACQ.BIA. OR ORM 0190-10 EPDM	
2	140328461	OR ORM 0060-30 SILICONE	OR ORM 0060-30 SILICONE	JOINT DE BAC 0060-30	O-Ring 0060-30 Silikon schwarz	OR ORM 0060-30 SILICONE	
3	126764718	MOLLA CILINDR.VALV.CONT.ACQ.INOX	SS WATER CONTAINER VALVE SPRING	RESSORT DE VALVE	Druckfeder zu Wassertankventil	MOLLA CILINDR.VALV.CONT.ACQ.INOX	
4	147600562	PIST.VALV.CONT.ACQ.GRI.	GREY PISTON FOR WATER CONTAINER	PISTON X VALVE BAC EAU	Ventil Wassertankventil	PIST.VALV.CONT.ACQ.GRI.	
5	170001774	MANIGLIA CONT.ACQ.RYL NER.	BLACK WATER CONTAINER HANDLE RYL	POIGNEE BAC EAU	Griff zu Wassertank schwarz	MANIGLIA CONT.ACQ.RYL NER.	
6	170012555	TAPPO MANIGLIA CONT.ACQ.RYL NER.	BLACK PLUG FOR WATER CONTAIN.HAN	BOUCHON POIGNEE BAC EAU	BLACK PLUG FOR WATER CONTAIN.HAN	TAPPO MANIGLIA CONT.ACQ.RYL NER.	
7	1027676	CONT.ACQ.RYL GRINAT.SER.	NAT.GREY WATER CONTAINER S/SCR.R				
8	224640200	AS.FILTRO EST.CONT.ACQ.BIA.	WHITE WATER CONTAINER EXT.FILTER				
9	11035743	COP.CONT.ACQ.RYL VERN. ANT/L	ANT.WATER CONTAINER LID RYL	ENS.FILTRE EXT.POUR BACS A EAU	SCHMUTZSIEB (MIT POS.25 )	AS.FILTRO EST.CONT.ACQ.BIA.	ANT BLK
10	11031195	COP.CONT.ACQ.RYL NER.D/VERN.	UNPAINTED WATER CONTAINER LID RY	ANT.WATER CONTAINER LID RYL	ANT.WATER CONTAINER LID RYL	COP.CONT.ACQ.RYL VERN. ANT/L	
11	11025725	AS.CONT.ACQ.RYL GRINAT.SER.	NAT.GREY WATER CONTAINER S/SCR.R	COP.CONT.ACQ.RYL NER.D/VERN.	COP.CONT.ACQ.RYL NER.D/VERN.	AS.CONT.ACQ.RYL GRINAT.SER.	
12	11004160	MAGNETE D=6 H=4 COP.CONT.CAF.GRA	D=6 H=4 MAGNET P0049	BAG A EAU COMPLET AULIKA FOCUS	Wassertank kpl. grau beschrieft	MAGNETE D=6 H=4 COP.CONT.CAF.GRA	
13	12001431	VITE TCB 3X12 PLAST.INOX	SCREW TCB TORX 10 3X12 PLAST.SS	MAGNETE D=6 H=4 COP.CONT.CAF.GRA	Magnet D=6 H=4 P0049	VITE TCB 3X12 PLAST.INOX	
14	17000188	CONT.CAF.GRA.RYL GRINAT.	NAT.GREY BEAN CONTAINER RYL	VIS TCB 3X12 PLAST.INOX	Torb 10 3X12	CONT.CAF.GRA RYL GRINAT.	
15	421946000521	AS.CONN.2PALIM.RES.SCALDATAZ.V2	2P CONN SUPPLY CUPWARMER V2 RYL	BAC CAFE	Bombenbehälter grau	AS.CONN.2PALIM.RES.SCALDATAZ.V2	
16	11031306	SUPP.SENS.CONT.CAF.GRA.RYL NER.	BLACK BEAN CONTAINER SENSOR SUPP	AS.CONN.2PALIM.RES.SCALDATAZ.V2	SUPP.SENS.CONT.CAF.GRA RYL NER.	SUPP.SENS.CONT.CAF.GRA RYL NER.	
17	17001480	INS.SUPP.SENS.CONT.CAF.GRA.RYL N	BLK BEAN CONTAINER SENSOR SUPPINS	INS.SUPP.SENS.CONT.CAF.GRA RYL N	BLK BEAN CONTAINER SENSOR SUPP.INS	INS.SUPP.SENS.CONT.CAF.GRA RYL N	
18	11025739	AS.COP.SPORT.CONT.CAF.MAC.RYL IN	SB/SS GROUND CONT.DOOR COVER S/IS	AS.COP.SPORT.CONT.CAF.MAC.RYL IN	Abdeckung kpl. zu Kaffeepuvert	AS.COP.SPORT.CONT.CAF.MAC.RYL IN	
19	11035744	AS.COP.CONT.CAF.GRA.RYL VERN. AN	ANT. BEAN COF.CONT.LID RYL ASSY.	ANT. BEAN COF.CONT.LID RYL ASSY.	ANT. BEAN COF.CONT.LID RYL ASSY.	AS.COP.CONT.CAF.GRA RYL VERN. AN	ANT BLK
20	11031194	AS.COP.CONT.CAF.GRA.RYL NER.D/VE	UNPAINTED BEAN COFFEE CONT.LID R	AS.COP.CONT.CAF.GRA RYL NER.D/VE	AS.COP.CONT.CAF.GRA RYL NER.D/VE	AS.COP.CONT.CAF.GRA RYL NER.D/VE	
21	17000175	COP.SCALDATAZ.RYL INOX/SB	SB/SS CUPWARMING LID RYL	PLAQUE INOX/SB	SB/SS CUPWARMING LID RYL	COP.SCALDATAZ.RYL INOX/SB	
22	17000349	GUARN.COP.SCALDATAZ.RYL NER.	BLACK SEAL FOR CUPWARMING LID RY	GARNITURE	BLACK SEAL FOR CUPWARMING LID RY	GUARN.COP.SCALDATAZ.RYL NER.	120V ANT
23	11000791	RES.ADES.SCALDATAZ.ARMONIA 120V	ADHESIVE HEATING-ELEMENT 120V	ADHESIVE HEATING-ELEMENT 120V	ADHESIVE HEATING-ELEMENT 120V	RES.ADES.SCALDATAZ.ARMONIA 120V	
24	11035741	INS.COP.CARC.RYL ANT/L SER.	G/ANT COVER CASING INSERT S/SCR.	G/ANT COVER CASING INSERT S/SCR.	G/ANT COVER CASING INSERT S/SCR.	INS.COP.CARC.RYL ANT/L SER.	
25	0701.031.150	COP.GUARN.GACO DIM 14 VALV.ACQ.G	GREY WATER VALVE GACO DIM 14 SEA	CACHE JOINT GRIS	Ventilkappe grau	COP.GUARN.GACO DIM 14 VALV.ACQ.G	
26	145842900	GUARN.GACO DIM14 VALV.CONT.ACQN	NBR WATER CONT.VALVE GACO DIM14	JOINT GACO	Lippendichtung GACO DIM 14	GUARN.GACO DIM14 VALV.CONT.ACQ.N	
27	12000895	VITE TSP 3X10 PLAST.INOX	SREW TSP TORX 10 3X10 PLAST.SS	VIS TSP 3X10 PLAST.INOX	TORXSCHRAUBE 3X10	VITE TSP TORX 10 3X10 PLAST.SS	
28	0701.014.150	CONT.GUARN.GACO DIM 14 VALV.ACQ.	GREY WATER VALVE GACO DIM 14 SEA	SUPPORT JOINT	Ventilunterteil grau	CONT.GUARN.GACO DIM 14 VALV.ACQ.	
29	140320461	OR ORM 0080-20 TERMOIL	OR ORM 0080-20 TERMOIL	JOINT DE PIPELETTE 0080-20	O-Ring 0080-20 Wasserreinlaufstut	OR ORM 0080-20 TERMOIL	230V BLK
30	WGA4316031000	RES.ADES.SCALDATAZ.ARMONIA 230V	ADHESIVE HEATING-ELEMENT 230V	ADHESIVE ELEMENT 230V	Heizelement für Tassenwärmer	RES.ADES.SCALDATAZ.ARMONIA 230V	
31	11035985	INS.COP.CARC.RYL NER. SER.V2	BLK COVER CASING INSERT S/SCR.RY	BLK COVER CASING INSERT S/SCR.RY	BLK COVER CASING INSERT S/SCR.RY	INS.COP.CARC.RYL NER. SER.V2	
32	11030103	FRONT.RYLO VERN.CRC	CRC FRONT PANEL RYLO	ENCADREMENT	CRC FRONT PANEL RYLO	FRONT.RYLO VERN.CRC	UL
33	11036419	COP.CARC.RYLOP ANT/L UL SER.	TOP COVER RYLOP ANT/L UL SER.	G/ANT CASING COVER S/SCR.RYLOP	G/ANT CASING COVER S/SCR.RYLOP	COP.CARC.RYLOP ANT/L UL SER.	UL
34	11035739	COP.CARC.RYLOP ANT/L SER.	BLK CASING COVER S/SCR.RYLOP	G/ANT CASING COVER S/SCR.RYLOP	G/ANT CASING COVER S/SCR.RYLOP	COP.CARC.RYLOP ANT/L SER.	ANT
35	11036867	COP.CARC.RYLOP BLK SER.	BLK CASING COVER S/SCR.RYLOP	BLK CASING COVER S/SCR.RYLOP	BLK CASING COVER S/SCR.RYLOP	COP.CARC.RYLOP BLK SER.	BLK C.L.
36	11000084	SUPP.SENS.CAPACITIVO LEVEL.ACQ.R	BLACK WATER LEVEL SENSOR SUPPORT	SUPP.SENSEUR	BLACK WATER LEVEL SENSOR SUPPORT	SUPP.SENS.CAPACITIVO LEVEL.ACQ.R	UL
37	17000391	VITE TCBR 3.5X12 PLAST.ZN-N	SCREW TCBR TORX 10 3.5X12 PLAST.	VIS TCBR TORX 10 3.5X12 PLASTZN	TORXSCHRAUBE 3.5X12	VITE TCBR 3.5X12 PLAST.ZN-N	ANT 230V
38	12000450	AS.CPU-SW SENS.ACQ. V3	CPU-SW WATER LEVEL SENSOR V3 ASS	PLATINE SENSEUR NIVEAU D EAU	CPU-SW WATER LEVEL SENSOR V3 ASS	AS.CPU-SW WATER LEVEL SENSOR V3 ASS	120V
39	421941306721	BOC.DIST.COP.SCALDATAZ.RYL OT.	BRASS CUPWARMING LID BUSH RYL	OEUILLET DE BLOCAGE	BRASS CUPWARMING LID BUSH RYL	BOC.DIST.COP.SCALDATAZ.RYL OT.	BLK 230V
40	17000826	DADO M3 FLANGIATO BASE DENTELLAT	NUT M3 FLANGED INDENTED BASE	ECROU	Mutter M3 mit Flansch	DADO M3 FLANGIATO BASE DENTELLAT	
41	U324.005	PIAS.INFRAROSSI RYL TRASP.	TRANSPIRINFRAREDS PLATE RYL	PLAQUE INFRAROUGE	TRANSPIRINFRAREDS PLATE RYL	PIAS.INFRAROSSI RYL TRASP.	
42	17000422	AS.COP.CARC.RYLOP ANT/L UL 120V	TOP COVER RYLOP ANT/L UL 120V A	230V G/ANT CASING COVER RYLOP A	230V G/ANT CASING COVER RYLOP A	AS.COP.CARC.RYLOP ANT/L UL 120V	UL
43	11036419	AS.COP.CARC.RYLOP ANT/L 230V	230V G/ANT CASING COVER RYLOP A	230V BLK CASING COVER RYLOP ASS	230V BLK CASING COVER RYLOP ASS	AS.COP.CARC.RYLOP ANT/L 230V	ANT
44	11035738	AS.COP.CARC.RYLOP ANT/L 120V	230V BLK CASING COVER RYLOP ASS	230V BLK CASING COVER RYLOP ASS	230V BLK CASING COVER RYLOP ASS	AS.COP.CARC.RYLOP ANT/L 120V	ANT
45	11036428	AS.COP.CARC.RYLOP ANT/L 230V	230V BLK CASING COVER RYLOP ASS	230V BLK CASING COVER RYLOP ASS	230V BLK CASING COVER RYLOP ASS	AS.COP.CARC.RYLOP ANT/L 230V	ANT
46	11036868	AS.COP.CARC.RYLOP BLK 230V	BLK LIB TOP COVER RYLOP ASSY			AS.COP.CARC.RYLOP BLK 230V	BLK 230V
47	11000086						C.L.



N.POSI	COD	I - DESCRIZIONE	UK - DESCRIPTION	F - DESCRIPTION	D - BEZEICHNUNG	E - DESCRIPCION	NOTE
1	129913902	VITE TCB 3X12 PLASTZN-B	SCREW TCB TORX 10 3X12 PLASTZN-	VIS TCB 3X12 PLASTZN-B	Torx-Schraube 3x12 ZN-B	VITE TCB 3X12 PLASTZN-B	
2	9161.076.150	PERNO SPORT.DOS.CAF.MAC.GRI.	GREY GROUND COF.DOSER DOOR PIN	AXE PORTIERE DE DOSEUR	Feder Dosierklappe MA	PERNO SPORT.DOS.CAF.MAC.GRI.	
3	9161.048	ASTA RASATOR DOS.CAF.MAC.ACC.	STEEL GROUND COF.DOSER SCRAPER R	AGUILLE D'ARASAGE	Feder Dosierklappe MA, VI	ASTA RASATOR DOS.CAF.MAC.ACC.	
4	11036670	AS.GEN.PIAS.MC.RYL.V2.120V	PLATE COFFEE GRIND.V2 GEN.RYL.12	PLATE COFFEE GRIND.V2 GEN.RYL.12	PLATE COFFEE GRIND.V2 GEN.RYL.12	AS.GEN.PIAS.MC.RYL.V2.120V	
5	9161.041	NUCLEO ELASTICOM.DOS.CAF.MAC.ACC.	SNAP RING 7 UNI 7434	CONTACT DE BOBINE DOSEUR	Eisenring 9x40 DosierMagnetservice	NUCLEO ELASTICOM.DOS.CAF.MAC.ACC.	
6	110764818	ANELLO ELASTICO 7 UNI 7434	SNAP RING 7 UNI 7434	CONTACT DE BOBINE DOSEUR	Sicherungsring ø7 elastisch	ANELLO ELASTICO 7 UNI 7434	
7	12625734	MOLLA X ELETTROM.DOS.CAF.GRANI MA	SPRING ELECTROM.BEAN DOSER MAGIC	RESSORT D'ELECTRO AIMANT DOS.CAF	Feder zu Elektromagnet	MOLLA X ELETTROM.DOS.CAF.GRANI MA	
8	11025734	AS.BOBINA DOSATORE SUPERAUTOM.24	DOSEUR COIL FOR SUPERAUTOM.24V DC	ENS.BOBINES DOSEUR 24VDC	DOSEUR COIL FOR SUPERAUTOM.24V DC	AS.BOBINA DOSATORE SUPERAUTOM.24	
9	NE05.017	MICROINTERRUTTORE	MICROSWITCH	MICRO CONTACT DE MOUTURE	Mikroschalter Dosierer MA, RO	MICROINTERRUTTORE	
10	421946000541	AS.CONN.4P.BOBINA+MICRO DOSAT.V2	4P.CONN.COIL+DOSEUR MICRO V2 RYL	CONNECTION 4 POLES MICRO DOSEUR	4P.CONN.COIL+DOSEUR MICRO V2 RYL	AS.CONN.4P.BOBINA+MICRO DOSAT.V2	
11	9161.072.150	CURSORE SUPP.MICRO DOS.CAF.MAC.G	GREY MICRO SUPP.CURSOR GROUND CO	SUPPORT MICRO CONTACT	Halterung Dosiermikro MA	CURSORE SUPP.MICRO DOS.CAF.MAC.G	
12	9161.073.150	BILANCERE CONTROL.DOSE.CAF.MAC.G	COFFEEGRINDER SEAL	PLAQUE CONTR.DOSE CAFE	Schalplättchen grau	BILANCERE CONTROL.DOSE.CAF.MAC.G	
13	1505.014	GUARNIZIONE DOSATORE	RUBBER COUPLER	GARNITURE DOSEUR	Dichtung Mühle	GUARNIZIONE DOSATORE	
14	9161.082	AGGANCIO IN GOMMA	BLACK HOPPER FOR POWDER COFFEE R	FIXATION CAOUTCHOUC	Gummikupplung	AGGANCIO IN GOMMA	
15	17000176	TRAMOGGIA DOSE CAF.MAC.RYL.NER.	2P.CONN.GRINDER MOTOR V2 RYL UL	CONNECTEUR DOSE CAFE NOIR	BLACK HOPPER FOR POWDER COFFEE R	TRAMOGGIA DOSE CAF.MAC.RYL.NER.	
16	421946000531	AS.CONN.2P.MOTORE MC V2 RYL UL	SELF LOCK STRIP W=2.6 L=200	COLLIER AUTOSERRANT L=200MM	Kabelbinder, l=200mm	AS.CONN.2P.MOTORE MC V2 RYL UL	
17	144320200	FASCIETTA AUTOBLOC.W=2.6 L=200 B	COFFEE GRINDER STD.230V ASSY.	MOULIN CAFE COMPLET 230 V STD.	Mahlwerkmotor kopt. 230V MA-RD	FASCIETTA AUTOBLOC.W=2.6 L=200 B	
18	9140.036.00A	AS.MACINACAFFE STD 230V	GREY GROUND COF.DOSER DOOR ASSY.	COUVERCLE INSONORISE	GREY GROUND COF.DOSER DOOR ASSY.	AS.MACINACAFFE STD 230V	
19	9140.017	AS.SPORT.DOS.CAF.MAC.GRI.	COFFEE GRINDER SOUNDPROOFING COV	SILENT BLOC	Abdeckung/Schalenschutz Mahlwerk	AS.SPORT.DOS.CAF.MAC.GRI.	
20	17000238	COP.INSONORIZAZIONE MC RYL.NER.	ANTIVIBRATION FOR COFFEEGRINDER	LEVIER REGLAGE MOUTURE	Schwingungsdämpfer VI	COP.INSONORIZAZIONE MC RYL.NER.	
21	9991.103	ANTIVIBRANTE X MACINACAFFE'	BLACK GRINDING ADJUSTM.LEVER RYL	LEVIER REGLAGE MOUTURE	BLACK GRINDING ADJUSTM.LEVER RYL	ANTIVIBRANTE X MACINACAFFE'	
22	17000198	LEVA REGOL. MACIN RYL.NER.	SCREW TCB TORX 10 3,5X12 PLAST.	VIS TCB TORX 10 3,5X12 PLASTZN	TORXSCHRAUBE 3,5X12	LEVA REGOL. MACIN RYL.NER.	
23	12000450	VITE TCBR 3,5X12 PLAST.ZN.N	COFFEE GRINDER STD CALIBRATED 23			VITE TCBR 3,5X12 PLAST.ZN.N	
24	11027917	AS.MACINACAFFE STD TARATO 230V	BLACK UPPER GRINDER SUPPORT MAGI	SUPPORT MEULE SUPERIEUR	Mahlringaufnahme	AS.MACINACAFFE STD TARATO 230V	
25	149186150	SUPPORTO MACINA SUPERIORE MAGIC	UPPER GRINDER	MEULE SUPERIEUR	Mahlring	SUPPORTO MACINA SUPERIORE MAGIC	
26	9141.039	MACINA SUPERIORE	TORX SCREW T10 TCB 3.5X40 SX ZNG	VIS DE FINESSE	Torx-Schraube T10 TCB 3.5x40 lin	MACINA SUPERIORE	
27	129931002	VITE TORX T10 TCB 3.5X40 SX ZNG	BLK INCREASE SCREW PIN COF.GRIND	RONDELLE	Mahlschnecke MA, RO, VI	VITE TORX T10 TCB 3.5X40 SX ZNG	
28	147470763	PERNO INCREMENTO A VITE.MC.MAGIC	PLAIN WASHER 10X16X0.2DIN 988 GA	SPHERE D 5.5	Unterfestscheibe ø10x16x0.2 DIN	PERNO INCREMENTO A VITE.MC.MAGIC	
29	U201.002	ROSETTA PIANA 10X16X0.2DIN 988 Z	STAIL STEEL AISI 304 SPHERE D=5.	RESSORT SPHERE D5.5	Feder ø5,5mm für Rutschkupplung	ROSETTA PIANA 10X16X0.2DIN 988 Z	
30	128610521	SFERA D=5.5MM ACCIAIO INOX AISI	STEEL SPRING SPHERE D=5.5 MOTOR	RESSORT DE MEULE INF.	Kugel ø 5,5mm für Rutschkupplung	SFERA D=5.5MM ACCIAIO INOX AISI	
31	126765517	MOLLA ACC.X SFERA D=5.5 MOTORE M	SAFETY RING	SUPPORT MOTEUR	Metalleinsatz zu Support Mahlwerk	MOLLA ACC.X SFERA D=5.5 MOTORE M	
32	9141.042	ANELLO DI SICUREZZA	BLACK LOWER GRINDER SUPPORT MAGI	AMORTISSEUR SUPPORT MEULE MAGIC	Support zum Mahlwerk unten	ANELLO DI SICUREZZA	
33	9141.028	SUPPORTO MACINA INFERIORE MAGIC	FELT RING 40X34X5	ANNEAU FEUTRE 40 DI=34 H=5	Filzring	SUPPORTO MACINA INFERIORE MAGIC	
34	140360200	ANELLO IN FELTRO DE=40 DI=34 H=5	SPARE MOTOR UNIT MC 230V	MOTEUR MOUTURE MAGIC NEW	Mahlwerkmotor mit Getriebe 230V	ANELLO IN FELTRO DE=40 DI=34 H=5	
35	0301.R10.00A	MOTORE COMPLETO 230V	RING NUT FOR GRINDING ADJUSTMENT	BAGUE DE REGLAGE	Verstellring	MOTORE COMPLETO 230V	
36	146570950	GHIERA REGOLAZIONE MACINATURA MAG	STAIL STEEL AISI 304 SPHERE D=3	SPHERE INOX D=3mm	Kugel ø 3,2mm Einstellring Mahlg	GHIERA REGOLAZIONE MACINATURA MAG	
37	128610421	SFERA D=3.2MM ACCIAIO INOX AISI	NEW SPRING SPHERE D=3.2 MOTOR MA	RESSORT DE SPHERE	Feder Einstellring ø 3,2 MA, RO, V	SFERA D=3.2MM ACCIAIO INOX AISI	
38	126770117	MOLLA NEW X SFERA D=3.2 MOTORE M	BLACK COFFEE GRINDER MOTOR SUPPO	SUPPORT MOTEUR	Motormaterialierung Royal	MOLLA NEW X SFERA D=3.2 MOTORE M	
39	9141.080	SUPP.MOTORE MC.NER.	SHOCK ABS. CONICAL GRINDER SUPP.	AMORTISSEUR SUPPORT MEULE MAGIC	Mitnehmer Gummi	SUPP.MOTORE MC.NER.	
40	140230400	AMMORTIZ.X SUPPORTO MACINA CONIC	COIL WIRING+DOSEUR MICRO V2 RYL U	COUVERCLE MEULE	Mahlringabdeckung	AMMORTIZ.X SUPPORTO MACINA CONIC	
41	421946000921	AS.CABL.BOBINA+MICRO DOSAT.V2 RY	UPPER GRINDER COVER COFFEE GRIND	MEULE CONIQUE	Mahlkegel	AS.CABL.BOBINA+MICRO DOSAT.V2 RY	
42	142844550	COPERT X MACINA SUPER.MACINACAF.	CONICAL GRINDER	KIT MEULE	Support unten mit Metalleinsatz	COPERT X MACINA SUPER.MACINACAF.	
43	9141.040	MACINA CONICA	KIT ITAL MILL GRINDERS	POIGNEE LEVIER REGLAGE MOUTURE	LINSEN BLECHSCHR. MTCB TORX 20 M	MACINA CONICA	
44	226477700	KIT MACINE ITAL MILL	BLK/SIL GRINDERS	VIS TCB TORX 20 MAX16 ZN-B	GREY COVER FOR DOSEUR HOLE RYL	KIT MACINE ITAL MILL	
45	149188750	SUPPOR C/ANEL X MACINA CONICA MA	BLK/SIL GRIND. ADJUS.LEVER HANDGR	COUVERCLE GRIS DOSEUR	Gummihalterung Mahlwerkmotor MA	SUPPOR C/ANEL X MACINA CONICA MA	
46	421941300291	IMPUGN.LEVA REGOL.MACIN.RYL.SIL/	ZN-B TCB TORX 20 MAX16 ZN-B	SILENT BLOC CAFE MOULU	Distanzhülse	IMPUGN.LEVA REGOL.MACIN.RYL.SIL/	
47	U043.004	VITE TCB TORX 20 MAX16 ZN-B	GREY COVER FOR COFFEE GRINDER	RONDELLE D'ECARTEMENT	Sechskantmutter M4 DIN 934	VITE TCB TORX 20 MAX16 ZN-B	
48	17001155	COP.FORO DOSATORE RYL.GRI.	RUBBER FOR COFFEE GRINDER	ECROU	Montageplättchen MA	COP.FORO DOSATORE RYL.GRI.	
49	9991.005	GOMMINO X MACINACAFFE'	NUT M4 FLANGED INDENTED BASE	PLAQUE DE FIXATION	MICROSCHWITZ	GOMMINO X MACINACAFFE'	
50	9141.003	DISTANZIALE X GOMMINO	GREY GROUND COF.DOSER LEVER FIXI	MICRO INTERRUPTEUR		DISTANZIALE X GOMMINO	
51	U324.006	DADO M4 FLANGIATO BASE DENTELLAT	MICROSWITCH	PLAQUE SUPPORT MOULIN	Montageplatte Mühle grau Royal	DADO M4 FLANGIATO BASE DENTELLAT	
52	9161.097.150	PIAST.FISSAG.LEVA.DOS.CAF.MAC.GR	2P.CONN.DOOR MICRO V2 RYL UL ASS	LEVIER DE REGLAGE CAFE	Hebel Dosiermenge MA	PIAST.FISSAG.LEVA.DOS.CAF.MAC.GR	
53	12001605	MICROINTERRUTTORE	GREY PLATE COFFEEGRINDER MAGIC/R	RONDELLE	Scheibe 3.2 DIN 7349 verz.	MICROINTERRUTTORE	
54	421946000501	AS.CONN.2P.MICRO SPORT.V2 RYL UL	DOSE ADJUSTMENT LEVER DE LUXE GR	LEVIER REGLAGE DOSE	Skala Mahnermenge grau MA-RD	AS.CONN.2P.MICRO SPORT.V2 RYL UL	
55	9161.365.150	PIAST.MC.MAGIC/ROYAL.GRI.	PLAIN WASHER 3.2X9 DIN 7349 GALV	COFFEE PLATE GRIND.V2 GEN.RYL.23	COFFEE PLATE GRIND V2 GEN RYL 23	PIAST.MC.MAGIC/ROYAL.GRI.	
56	9161.077.150	LEVA X REGOLAZIONE DOSE DE LUXE	GREY COFFEE DOSE ADJUSTMENT SCA	AS.MACINACAFFE STD TARATO 120V	AS.MACINACAFFE STD TARATO 120V	LEVA X REGOLAZIONE DOSE DE LUXE	
57	U201.001	ROSETTA PIANA 3.2X9 DIN 7349 ZNP	COFFEE GRINDER STD CALIBRATED 12	ASS MOTOR STD 120V	ASS MOTOR STD 120V	ROSETTA PIANA 3.2X9 DIN 7349 ZNP	
58	9161.403.150	SCALA REGOL.DOSE.CAF.GRI.	SPARE MOTOR UNIT MC 120V	NON UTILISEE PAR LA FRANCE ET BE	NON UTILISEE PAR LA FRANCE ET LE	SCALA REGOL.DOSE.CAF.GRI.	
59	110365699	AS.GEN.PIAS.MC.RYL.V2.230V	MICROSCHWITZ DOOR V2 RYL UL ASSY.			AS.GEN.PIAS.MC.RYL.V2.230V	
60	11028181	AS.MACINACAFFE STD TARATO 120V				AS.MACINACAFFE STD TARATO 120V	
61	9140.036.00F	AS.MACINACAFFE STD 120V				AS.MACINACAFFE STD 120V	
62	0301.R10.00F	GRUPPO RICAMBIO MOTORE MC 120V				GRUPPO RICAMBIO MOTORE MC 120V	
63	421946000911	AS.MICRO SPORT.V2 RYL UL				AS.MICRO SPORT.V2 RYL UL	







N.POSI COD	I - DESCRIZIONE	UK - DESCRIPTION	F - DESCRIPTION	D - BEZEICHNUNG	E - DESCRIPCION
1	129670202	TCB PANELVIT SCREW 3.5X16 TESTA	VIS TCB 3.5X16 TESTA D=8 ZNP	Blechschraube ST 3.5X16-Z1-C ver	VITE PANELVIT TCB 3.5X16 TESTA D
2	17000719	GREY RATIONMOTOR LID RYL	MILARD POUR MOTOREDUCTEUR	Deckel Getriebegehäuse grau	COP.MOTORID.RYL GRI.
3	NE05.038	MICROSWITCH 30V 0.3A	MICRO INTERRUPTEUR	MIKROSCHALTER	MICROINTERRUTTORE 30V 0.3A
4	11007137	BLACK GEAR Z=77 V/2 FOR RATIONMOTO	ENGRENAGE Z=77 MOTORID.V2 P124 N	Zahnrad Z=77 V2 P124 schwarz	INGR.Z=77 MOTORID.V2 P124 NER.
5	9161.368	MYLAR WASHER FOR RATIONMOTOR	RONDELLE MOTOREDUCTEUR	UNTERLEGSCHLEIBER GETRIEBEMOTOR	RONDELLA MYLAR X MOTORIDUTTORE
6	9121.039	STEEL PIN FOR RATIONMOTOR GEAR MA	STEEL PIN FOR RATIONMOTOR GEAR MA	STEEL PIN FOR RATIONMOTOR GEAR MA	PERNO INGR.MOTORID.MAGIC ACC.
7	11005214	MOTOR FOR RATIONMOTOR ASSY	MOTEUR AVEC CONDENSATEUR	MOTOR GETRIEBE	AS.MOTORE MOTORIDUTTORE
8	11003037	MOTOR FOR RATIONMOTOR ASSY	MOTEUR REDUCTEUR + CONDENSATEUR	GServiceitemotor.V2 Talea, Ode	AS.MOTORE MOTORID.C/COND.
9	9121.044	ANTIVIBRATION FOR MOTOR	AMORTISSEUR MOTEUR	VIBRATIONSDAEMPFER	ANTIVIBRANTE X MOTORE
10	148380200	BAKELIZATE WASHER D=5.5	RONDELLE D=5.5	DISTANZSCHEIBE BAKELIT	RONDELLA D=5.5 IN TELA BAKELIZZA
11	9121.046	BRONZE SINTERED BUSH FOR MOTOR R	JOINT DE MOTEUR	SINTERBUCHSE	BOCC.SINTERIZ.MOTORE MOTORID.BRO
12	146002800	GREY GEAR Z=13/90 FOR RATIONMOTOR	ENGRENAGE Z=13/90 MOTOREDUCTEUR	Zahnrad Z=13/90 grau P124	INGR.Z=13/90 MOTORID.P124 GRI.
13	11026258	GREY RATIONMOTOR CASING WITH TUBE	CARCASSE MOTOREDUCTEUR AVEC CANA	GEHÄUSE GETRIEBE GRAU	AS.CARC.MOTORID.C/CANALINO RYL G
14	11025736	RATIONMOTOR RYL ASSY.	MOTOREDUCTEUR COMPLET	RATIONMOTOR RYL ASSY.	AS.MOTORID.RYL

NOTE

© by Saeco, a company of EVOCA Group - GAGGIO MONTANO

C0163X00

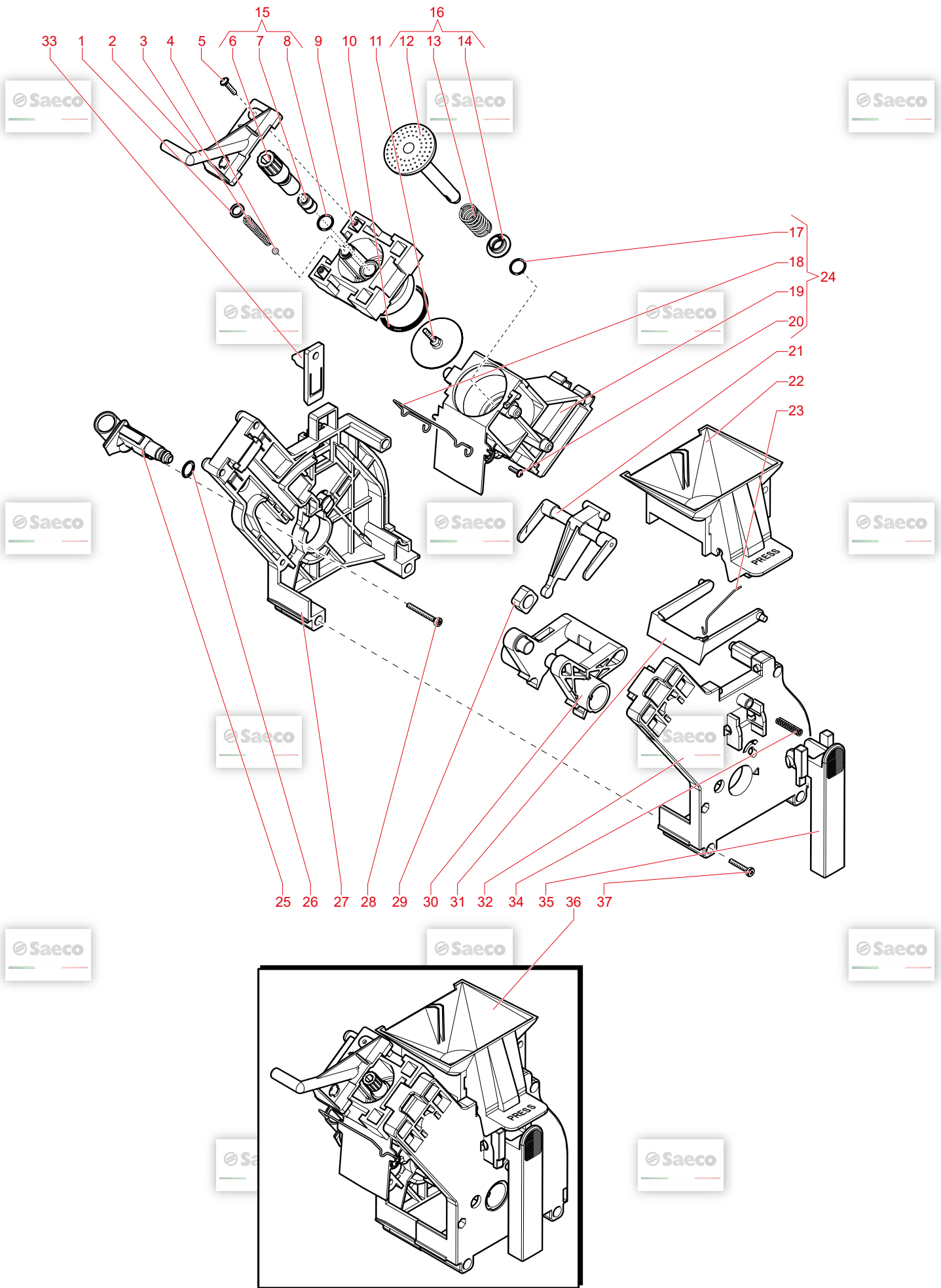
08

12/06/2019

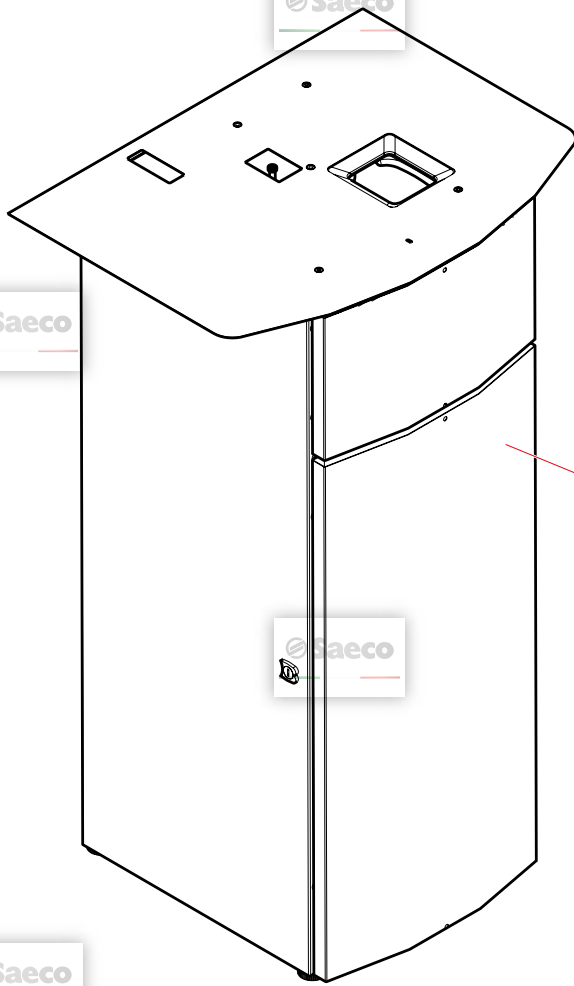
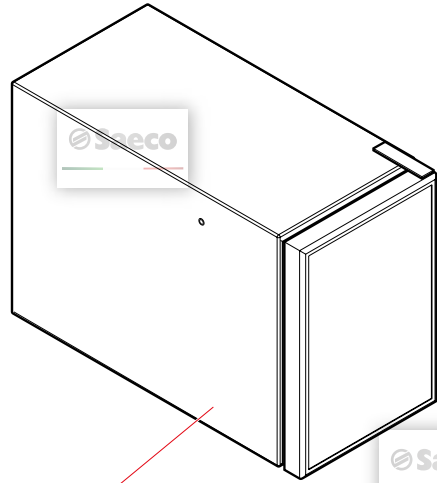
Aulika Focus V2

12/06/2019





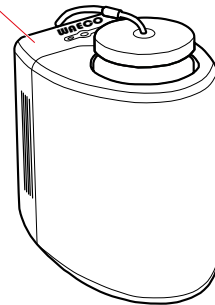
N.POSI COD	I - DESCRIZIONE	UK - DESCRIPTION	F - DESCRIPTION	D - BEZEICHNUNG	E - DESCRIPCION
1	11021334	GUARN.DE=11 DI=8 SP=1,4 X CONTRO	GARNITURE CONTRE PISTON	Dichtung DE=11 DI=8 SP=1,4 zu Ko	GUARN.DE=11 DI=8 SP=1,4 X CONTRO
2	11003789	MANICOT.USCITA CAF.GRUP.ROYAL NE	RACCORD SORTIE CAFE ROYAL	Kaffeauslaufrohr Brühgruppe ROD	MANICOT.USCITA CAF.GRUP.ROYAL NE
3	9161.222	MOLLA CONICA INOX	RESSORT CONIQUE	FEDER ZU CREMAVENTIL	MOLLA CONICA INOX
4	421944034451	SFERA D.5 MM IN BORO. SILICATO	SPHERE D.5 MM	BOROSILICATE SPHERE D.5 MM	BOROSILICATE SPHERE D.5 MM
5	12002170	VITE TCB 3X16 TORX 10 3X16 PLAST.SS	SCREW TCB TORX 10 3X16 PLAST.SS	SCREW TCB TORX 10 3X16 PLAST.SS	VITE TCB 3X16 TORX 10 3X16 PLAST.INOX
6	147472850	PIN BLACK FOR PERCOLATOR	PIN BLACK FOR PERCOLATOR		
7	NF11.067	INS.PERNO X DOCCIA NERO	BRASS INSERT FOR PERCOLATOR LOCK		
8	140324461	OR ORM 0060-20 TERMOIL	OR ORM 0060-20 TERMOIL	O-RING 0060-20	OR ORM 0060-20 TERMOIL
9	11003796	CONTROPIST.GRUP.M5000 NER.	BLACK BREW UNIT COUNTERPISTON M5	CONTREPISTON GROUPE CAFE	CONTROPIST.GRUP.M5000 NER.
10	NM01.044	OR ORM 0320-40 SILICONE PTFE/FDA	OR ORM 0320-40 SILICONE PTFE/FDA	JOINT OR 0320-40 SILICONE	OR ORM 0320-40 SILICONE PTFE/FDA
11	9161.075	AS.DOC CIA DE=35.8 ELFO C/VITE E	PERCOLATOR DE=35.8 ELFO ASSY.	GRILLE D 35.8	AS.DOC CIA DE=35.8 ELFO C/VITE E
12	11003077	AS.PIST.INTEGR.GRUP.8GR.NER.	BLK BREW UNIT INTEGRAL PISTON 8G	PISTON GROUPE CAFE P124 8GR	AS.PIST.INTEGR.GRUP.8GR.NER.
13	9161.198	MOLLA PIST.GRUP.8GR.INOX	SS.8GR.BREW UNIT PISTON SPRING	RESSORT DU PISTON	MOLLA PIST.GRUP.8GR.INOX
14	9161.191	BOC.PIST.GRUP.8GR.-12GR.BIA.	WHITE 8GR.-12GR.BREW UNIT PISTON	RONDELLE DE BLOCAGE DU PISTON	BOC.PIST.GRUP.8GR.-12GR.BIA.
15	227470150	AS.PERNO X DOCCIA COMPLETO NERO	PIN BLACK ASS FOR PERCOLATOR	AXE DE GRILLE	AS.PERNO X DOCCIA COMPLETO NERO
16	11036010	AS.GEN.PISTONE INTEGR.GRUP.CAF.8	BRW 8GR.BREW UNIT NTEGR.PISTON G	PISTON GROUPE CAFE 8GR	AS.GEN.PISTONE INTEGR.GRUP.CAF.8
17	NM02.018	OR ORM 0090-25 TERMOIL	OR ORM 0090-25 TERMOIL	JOINT ORM 0090-25 EPDM	OR ORM 0090-25 TERMOIL
18	11001556	MOLLA RASAT.H=49 GRUP.CAF.SMART	SS BREW UNIT SPRING H=49 SMART	RESSORT RACLEUR	MOLLA RASAT.H=49 GRUP.CAF.SMART
19	4219444014611	AS.CONT.CAF.C/BOC.SALD.GRUP.V2.M	BLK COF.CONTAIN.BREW UNIT V2.M500	CHAMBRE GROUPE CAFE NOIR V2 M500	BLK COF.CONTAIN.BREW UNIT V2 M500
20	129912521	VITE TCB R 3,5X14 PLAST.INOX	VIS TCB TORX 10 3,5X14 PLAST.SS	BIELLE NOIRE	VITE TCB R 3,5X14 PLAST.INOX
21	11003078	BIELLA GRUP.8GR.NER.	BIELLE NOIRE		BIELLA GRUP.8GR.NER.
22	11003795	TRAMOG.GRUP.M5000 NER.SER.PRESS	SS SCRAPER SPRING FOR BREW UNIT	ENTONNOIR GROUPE CAFE M5000	TRAMOG.GRUP.M5000 NER.SER.PRESS
23	9161.046	MOLLA RASATORE GRUP.INOX	SS SCRAPER SPRING FOR BREW UNIT	RESSORT D'ARRASAGE	MOLLA RASATORE GRUP.INOX
24	11004570	AS.CONT.CAF.GRUP.8G.P124 NER.	BLACK BREW UNIT COFFEE CONT.P124		AS.CONT.CAF.GRUP.8G.P124 NER.
25	9161.064.050	MANICOT.ENTRATA ACQ.GRUP.ROYAL N	BLACK WATER INLET SLEEVE BREW UN	PIPETTE ENTREE D'EAU	MANICOT.ENTRATA ACQ.GRUP.ROYAL N
26	NM02.007	OR 2025 TERMOIL	OR 2025 IN TERMOIL	JOINT 2025 TERMOIL	OR 2025 TERMOIL
27	421941158532	PIAS.POS.V2 GRUP.M5000 NER.	BLACK BREW UNIT REAR PLATE V2 M5	PLAQUE ARRIERE GROUPE CAFE	BLACK BREW UNIT REAR PLATE V2 M5
28	12000550	VITE TCB 3X25 PLAST.INOX	SCREW TCB TORX 10 3X25 PLAST.SS	VIS TCB TORX 10 3X25 Plast.Ss	SCREW TCB TORX 10 3X25 PLAST.SS
29	9161.094.050	BLOC.FORATO GRUP.PANNER.	BLACK BREW UNIT DRILLED BLOCK	ENTRETOISE NOIRE	BLOC.FORATO GRUP.PANNER.
30	9161.066.050	ALBERO A GOMITO GRUP.M5000 NER.	BLACK BREW UNIT ELBOW SHAFT M500	ARBRE DU GROUPE	ALBERO A GOMITO GRUP.M5000 NER.
31	11004161	RASATORE GRUP.M5000 NER.	BLACK SCRAPER FOR BREW UNIT M500	RACLEUR GROUPE	RASATORE GRUP.M5000 NER.
32	11003793	PIAS.ANT.GRUP.M5000 NER.	BLACK BREW UNIT FRONT PLATE M500	PLAQUE ANT. GROUPE M5000 NOIR	PIAS.ANT.GRUP.M5000 NER.
33	11004114	PIAS.AGGANC.GRUP.NER.	BLACK BREW UNIT COUPLING PLATE	PLAQUE FIXATION DU GROUPE	PIAS.AGGANC.GRUP.NER.
34	9161.075	MOLLA IMPUGNAT.GRUP.M5000	SS BREW UNIT HANDGRIP SPRING M50	RESSORT POIGNEE DE GROUPE	MOLLA IMPUGNAT.GRUP.M5000
35	11003791	IMPUGN.GRUP.M5000 NER.	BLACK BREW UNIT HANDGRIP M5000	POIGNEE DU GROUPE	IMPUGN.GRUP.M5000 NER.
36	11003800	GRUPPO CAFE' NERO	BLACK BREW UNIT	GROUPE CAFE	GRUPPO CAFE' NERO
37	12000897	VITE TCB TORX 3,5X20 PLAST.INOX	SCREW TCB TORX 10 3,5X20 PLAST.S	VIS TCB TORX 10 3,5X20 Plast.Ss	SCREW TCB TORX 10 3,5X20 PLAST.S



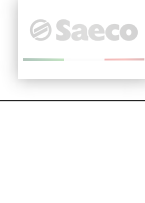
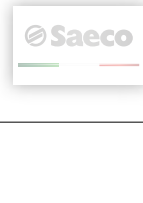
1

2

3



N.POSI COD	I - DESCRIZIONE	UK - DESCRIPTION	F - DESCRIPTION	D - BEZEICHNUNG	E - DESCRIPCION	NOTE
1	10005145 ACC FRIDGE FR7L BR9D R600a VE MOBILETTO AULIKA-ROYAL-AMBRA ACC PR MANTENITORE 100/240V 50-6	FRIDGE FR7L BR9D R600a VE CABINET AULIKA-ROYAL-AMBRA BL ACC PR MANTENITORE 100/240V 50-6	FRIDGE FR7L BR9D R600a VE MEUBLE AULIKA-ROYAL-AMBRA BLK MILK COOLER 100/240V 50-60HZ BLK	FRIDGE FR7L BR9D R600a Unterschrank AULIKA-ROYAL-AMBRA Milchkühler 1L Phebra 100/240V 5	ACC FRIDGE FR7L BR9D R600a VE MOBILETTO AULIKA-ROYAL-AMBRA ACC PR MILK KEEPER 100/240V 50-6	NOTE
2	10005004					
3	21001820					



Aulika Focus V2

12/06/2019

10

C0163X00

© by Saeco, a company of EVOCA Group - GAGGIO MONTANO





Il Costruttore si riserva il diritto di modificare, senza preavviso, le caratteristiche delle apparecchiature presentate in questa pubblicazione; declina inoltre ogni responsabilità per le eventuali inesattezze imputabili ad errori di stampa e/o trascrizione contenute nella stessa.

Le istruzioni, i disegni, le tabelle e le informazioni in genere contenute nel presente fascicolo sono di natura riservata e non possono essere riprodotte ne completamente ne parzialmente od essere comunicate a terzi senza l'autorizzazione scritta del Costruttore che ne ha la proprietà esclusiva.

The manufacturer reserves the right to modify, without prior notice, the characteristics of the equipment described in this publication; and further declines to accept any responsibility for any inaccuracies contained in this publication which can be ascribed to printing and/or transcription errors.

All instructions, drawings, tables and information contained in this publication are confidential and can neither be reproduced, completely or in part, nor be transmitted to third parties without the written permit of the Manufacturer, who has the sole ownership.

Le fabricant se réserve le droit de modifier, sans préavis, les caractéristiques des appareils présentes dans cette publication; en outre, elle decline toute responsabilité pour d'éventuelles inexactitudes imputables à des erreurs d'impression et/ou de transcription.

Tous droits de reproduction, complète ou partielle, des instructions, des dessins, des tableaux et de toutes les informations contenues dans cette publication sont réservés. Aucune communication à un tiers ne peut être faite sans une autorisation par écrit du Constructeur qui en a la propriété exclusive.

Der Hersteller behält sich das Recht vor, die Eigenschaften der hier beschriebenen Geräte ohne Voranzeige zu ändern und lehnt gleichzeitig jede Verantwortung für mögliche Unrichtigkeiten ab, die auf Druckfehler oder Abschreibfehler zurückzuführen sind.

Alle Anweisungen, Zeichnungen, Tabellen und Informationen, die im allgemeinen im vorliegenden Band enthalten sind, müssen als vertraulich betrachtet werden und können weder teilweise noch vollständig reproduziert bzw an Dritte ohne die schriftliche Ermächtigung des Herstellers weitergegeben werden, der das Alleineigentum besitzt.

El Constructor se reserva el derecho de modificar, sin previo aviso, las características de los aparatos presentados en esta publicación; además declina toda responsabilidad por los eventuales inexactitudes imputables a errores de imprenta y/o transcripción contenidos en la misma.

Las introducciones, los dibujos, las tablas y las informaciones en general contenidos en este fascículo son de tipo reservado y no se pueden reproducir, completamente o en parte, ni comunicar a terceros si la autorización escrita del Fabricante, el cual tiene la propiedad exclusiva.

