

SUP016RE

RI9923/01-02-03

RI9923/04-05-06-07



Cod.10003683-87-99

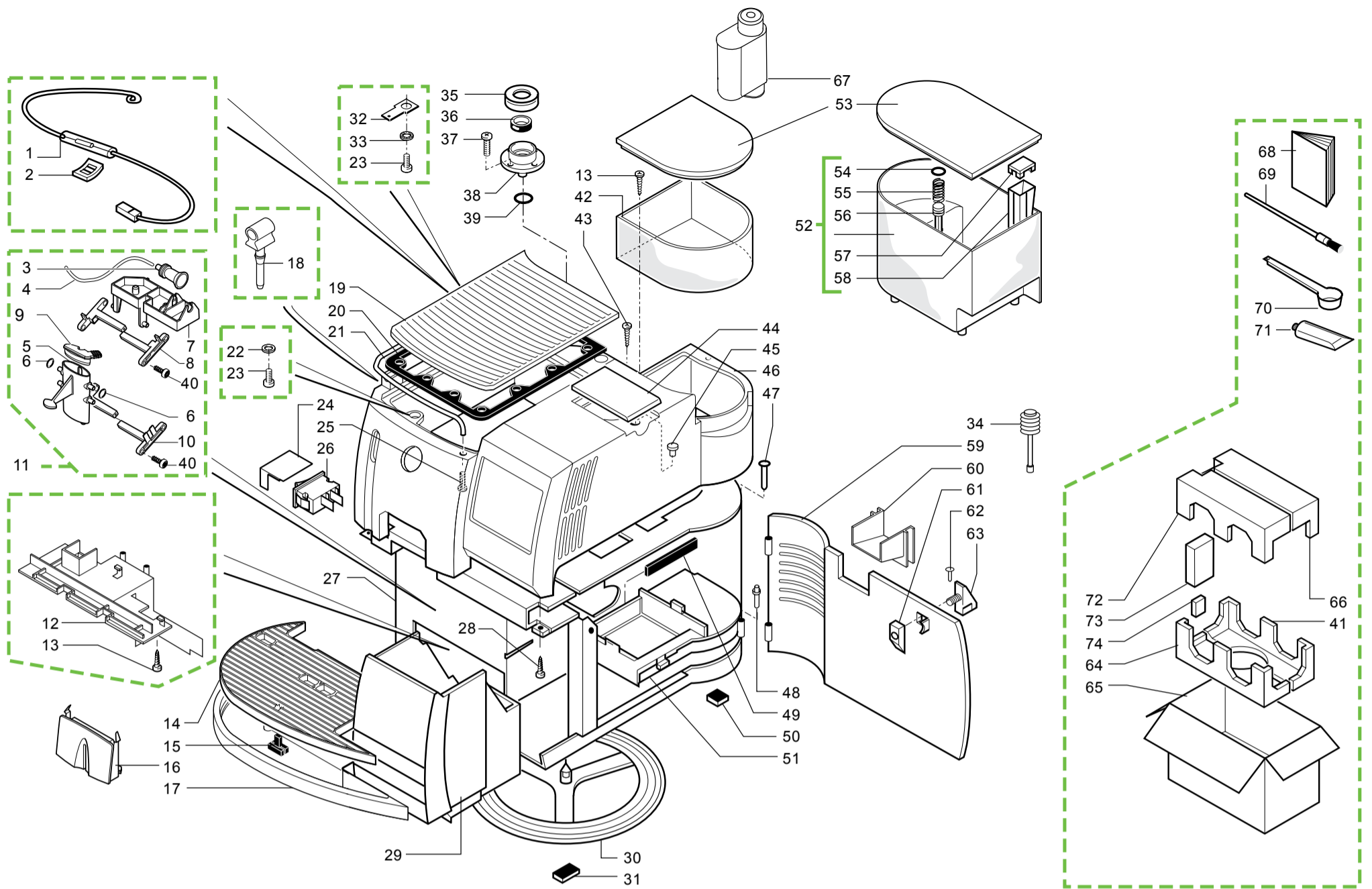
Cod.10003702-11-15-13

POS	CODE	DESCRIPTION	NOTE	POS	CODE	DESCRIPTION	NOTE
01	0347.810	CONNECTOR 4 POLES CUPWARMER ASSY.		40	129913202	SCREW TCB TORX 10 3X8 PLAST.ZN-B	
02	NF18.001	PLATE FOR PIN D.3,2		41	0314.905	TECHMATE RIGHT LOWER INSERT	
03	0347.011.050	FIDEX SLEEVE		42	0329.006.230	COFFEE CONTAINER	
04	JS01.005	SILICONE TUBE 5X8 BROWN	IN ROLL		0317.010.230	COFFEE CONTAINER UL	
05	0347.006.710	MOBILE DISPENSER CASING GREY		43	129512921	SCREW TCB TORX 10 AB 2,9X13 SHEET SS	
06	NM02.010	OR ORM 0050-20 TERMOIL		44	0313.008.770	SILVER DOSER LID DIGITAL	
07	0347.005.710	FIXED CASING DISPENSER BLACK			0334.011.770	DOSER LID UL DIGITAL SILVER	UL
08	0347.A02.710	WHOLE MESH GREY UPPER DISP.RAL 7021		45	0312.013.050	PLUG FOR SCREW HOLE BLACK	
09	0360.024.050	CAP FOR BODY		46	0351.001.770	LID SAECO PROFESSIONAL SILVER	UL
10	0347.A05.710	WHOLE MESH GREY LOWER DISP. RAL7021			0366.002.770	LID SAECO PROFESSIONAL SILVER	
11	0347.A03.710	DISPENSER ASS. GREY RAL 7021		47	0301.019	PEG FOR DOOR SUPERAUTOM.	
12	0301.033.150	TANK CASING GREY		48	0301.020	PIN FOR DOOR SUPERAUTOMATICA	
13	129670202	TCB PANELVIT SCREW 3,5X16 TESTA D=8 ZNP		49	9161.140	SEAL FOR UNIT PLATE	
14	0347.009.430	CHROMATE GRID FOR TANK		50	147623150	BLACK SQUARE ADHESIVE FOOT 5023	
15	0347.013.970	RED BALL FLOAT		51	0301.041.150	UNIT SUPPORT PLATE GREY	
16	0347.004.430	CHROMATE DISPENSER COVER		52	0301.046.230	WATER TANK ASS. SUPERAUTOM.	
17	0314.022.760	BLUE DRIP TRAY			0317.A16.230	WATER TANK ASS. MAGIC	UL
	0314.022.770	SILVER DRIP TRAY		53	20006540	KIT SPARES .COP.CAF.ARG+COP.ACQ.ARG.ROYAL	
18	0312.016.050	RUBBER TUBE HOLDER BLACK		54	NM01.032	RED SILICONE OR ORM 0060-30	
19	0312.015.66A	CLEAR/GREY CUPWARMING PLATE ASSY.	230V	55	9161.110	SPRING FOR PISTON FOR SUPERAUTOM.	
19	0312.015.66F	CLEAR/GREY CUPWARMING PLATE ASSY.	120V	56	147660562	GREY WATER VALVE CONTAINER PISTON	
20	0312.014	CUPWARMER SEAL		57	9161.050.230	NAT/TRANSP.CAP FOR FLOATING SPACE MAGIC	
21	0312.017	TUBE FOR CASING LID		58	9161.112.150	LEVEL FLOAT GREY	
22	U201.005	PLAIN WASHER 4,3X12 DIN 7349 GAL		59	0313.001.760	DOOR ASS. ROYLA BLUE	
23	129573202	SCREW TCB TORX 20 M4X8 AUTOFORMING ZN-B			0313.001.660	DOOR COVER S/SCREEN GREY	
24	0327.036	GENERAL SWITCH PROTECTION		60	0313.012.760	DOOR COVER S/SCREEN BLUE	
25	U043.012	SCREW TCB TORX 20 M4X6 ZN-B		60	0313.012.660	COVER FOR DOOR S/SCREENED	
26	NE03.038	BIPOLAR SWITCH FUSIT C1250AR		61	0301.040.150	DOOR CLOSURE LEVER GREY	
27	11025913	BLUE CASING WITH SLOTS V2 ASSY.		62	U433.001	NAIL 2X06 UNI 7591 BURN.	
	11025915	SILVER CASING WITH SLOTS V2 ASSY.		63	0301.039.760	DOOR CLOSURE KNOB BLUE	
28	U110.005	SCREW AUT.TCB 3,9X9,5 DIN 7981 F			0301.039.660	DOOR CLOSURE KNOB SILVER TF	
29	11025950	ROYAL/BLUE DUMP BOX V2		64	0314.904	TECHMATE LEFT LOWER INSERT	
29	11025952	SILVER DUMP BOX V2		65	13000873	AVANA EXTERNAL BOX ROYAL CAPP/PROF	
30	0301.048.150	ROTATING RING GREY		66	0314.906	TECHMATE RIGHT UPPER INSERT	
31	9991.096	ADHESIVE FOOT 8X15X3,2		67	21001406	ACC SAE MAVEA UNI.WAT.FILTERX1	USA
32	NE15.003	MALE TONGUE PLAIN 6,3 D.5,2			21001404	ACC SAE BRITA UNI.WAT.FILTERX1	EUR-ASIA
33	128310402	GALV.WASHER UNI 8842 A4		68	0351.951	INST. BOOKLET DIGITAL D	
34	147700200	LOADING PUMP DIAMETER 17 MM	USA		0351.952	INST. BOOKLET DIGITAL F	
35	0701.031.150	GREY GACO DIM 14 SEAL COVER			0351.953	INST. BOOKLET DIGITAL I	
36	145842900	WATER CONTAIN.VALVE GACO DIM 14 SEAL			0351.954	INST. BOOKLET DIGITAL NL	
37	12000895	SCREW TSP TORX 10 3X10 PLAST.SS			0351.955	INST. BOOKLET DIGITAL GB	
38	0701.014.150	GREY GACO DIM 14 SEAL CONTAINER			0351.956	INST. BOOKLET DIGITAL E	
39	140320461	OR ORM 0080-20 IN TERMOIL			0351.957	INST. BOOKLET DIGITAL P	



PR ROYAL PROFESSIONAL

TABLE 1a/5



SUP016RE

RI9923/01-02-03
RI9923/04-05-06-07

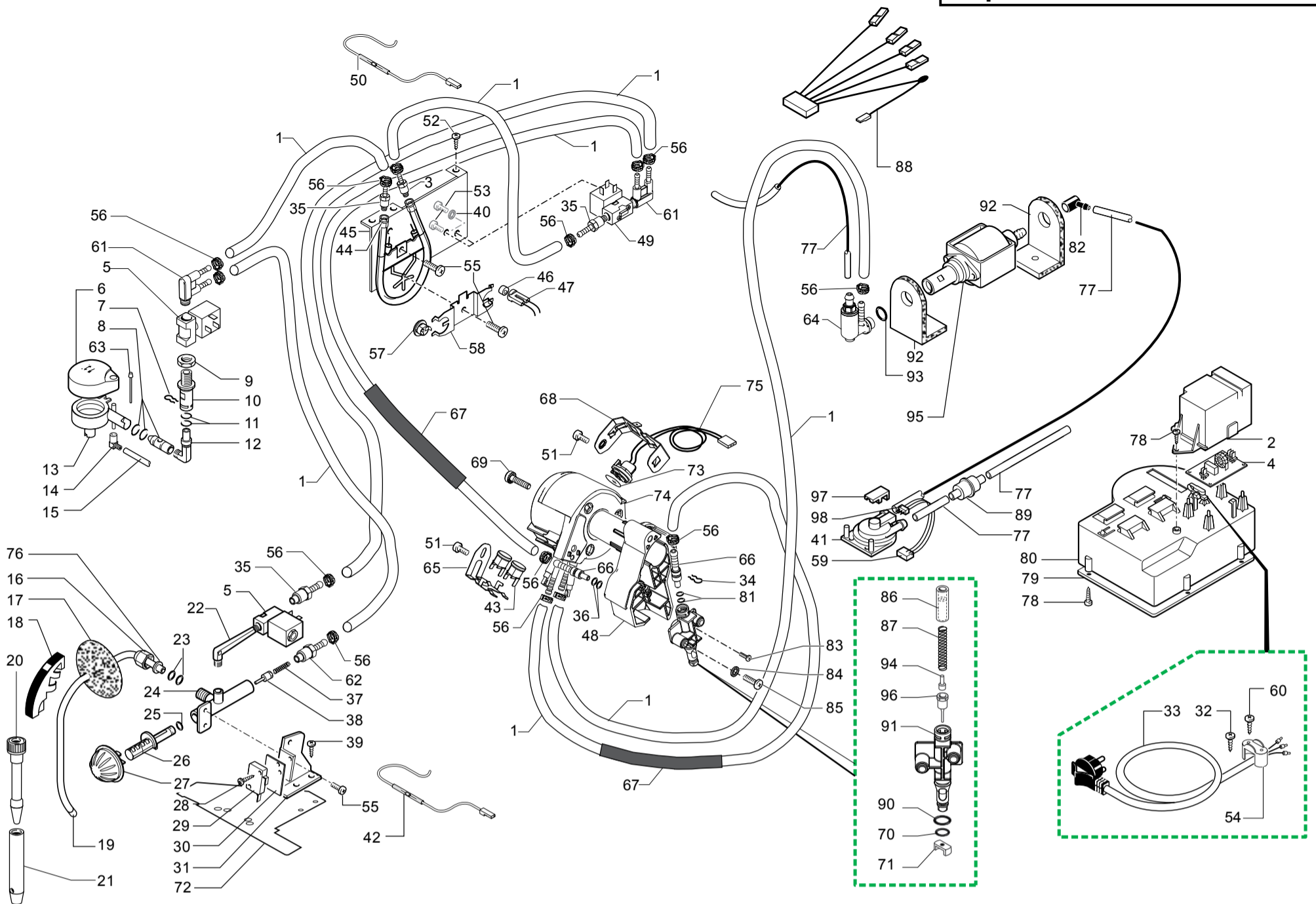


Cod.10003683-87-99
Cod.10003702-11-15-13

POS	CODE	DESCRIPTION	NOTE	POS	CODE	DESCRIPTION	NOTE
68	15002670	INSTR.MANUAL PR ROYAL PROFESS.ENG					
	15002671	INSTR.MANUAL PR ROYAL PROFESS.FRA					
69	127390100	BRUSH FOR CLEANING					
70	146680659	GREY MEASURE WITH HOLE					
71	11005044	SAECO KLUBER TRIBOSTAR SIL 2 TUBE 5GR.					
72	0314.907	TECHMATE LEFT UPPER INSERT					
73	0314.909	DRIP TRAY BOX					
74	0330.906	SPACER IN POLYSTYRENE					



PR ROYAL PROFESSIONAL



SUP016RE

RI9923/01-02-03

RI9923/04-05-06-07



Cod.10003683-87-99

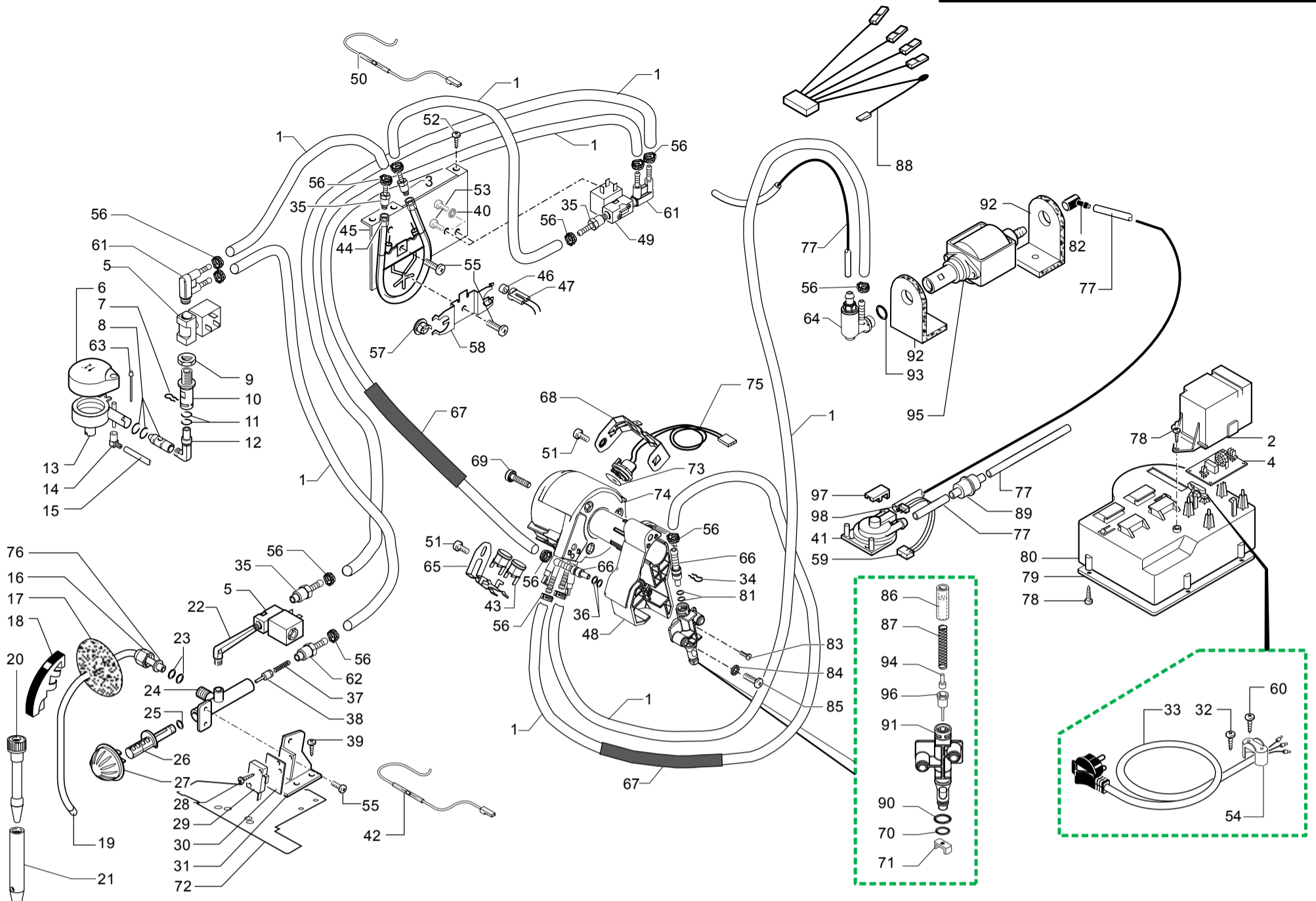
Cod.10003702-11-15-13

POS	CODE	DESCRIPTION	NOTE	POS	CODE	DESCRIPTION	NOTE
01	16000380	5X8,9 SILICONE TUBE	IN ROLL	35	11006304	TEA/BRASS CONNECTOR FOR ALUM.BOILER	
02	9161.126.150	COVER FOR FILTER CARD GREY		36	140328059	OR 2015 IN SILICONE PTFE/FDA	
	9161.336.150	COVER FOR FILTER CARD GREY UL		37	126765317	STEEL SPRING BOILER PISTON MAGIC	
03	11010261	TEA/BRASS INLET CONNECTOR BOILER		38	11009018	TEA/BRASS PISTON L=15,1 ASSY.	
04	0314.804	FILTRATION CARD 12A	230V	39	U110.013	screw AUT.TCB 3,9X6,5 DIN 7981 F	
	0301.828.00F	FILTRATION CARD SUPERAUTOM.	120V	40	128310404	WASHER UNI 8842 A4 BURNISHED	
05	11008569	SOLE.N.VALVE 15VA 2 WAY 1/8" FEM.TEA	230V	41	286473300	-M-VDE TURBINE WITH SENSOR KIT	WITH PART.N°98
	11008570	SOLE.N.VALVE 21VA 2 WAY 1/8" FEM.TEA	120V	42	0354.809	CABLE 1WIRE SILIC.BLUE TH/FUSE 192°	
	11008571	SOLE.N.VALVE 15VA 2 WAY 1/8" FEM.TEA	100V	43	189428200	THERMOSTAT 175° 1NT-08L-3794	
06	0314.018.760	COVER FOR CAPPUCCINATORE BLUE		44	11010390	BLECKMANN BOILER V2 PROFESS.ASSY.	230V
	0314.018.710	COVER FOR CAPPUCCINA. PAINTED GREY			11010391	BLECKMANN BOILER V2 PROFESS.ASSY.	120V
07	9161.135	SPRING FOR STEAM FAUCET			11010392	BLECKMANN BOILER V2 PROFESS.ASSY.	100V
08	142270200	TUBE+W/O RETAIN.CAPPUCCINATORE +/2OR		45	0334.001	NEW SYSTEM BRACKET	
09	U303.002	nut HEXAGONAL M12X1,25UNI 5589		46	11004424	ALUM.SPACER FOR PHILIPS SENSOR M5000	
10	11008452	TEA/BRASS SUPPORT FOR 90°CONNECTOR		47	9019.A72	SENSOR ASS. ROYAL	230V
11	NM02.007	OR 2025 TERMOIL			9019.A73	SENSOR ASS. ROYAL	120V
12	11008451	TEA/BRASS 90°CONNECT.FOR CAPPUCCINATORE		48	11010338	BLACK TUBOL BOILER SUPPORT V2 FOR ROYAL	
13	142520130	CAPPUCCINATORE AS.NEUTRAL WHITE		49	11008573	SOLE.N.VALVE 15VA 2W.1/8"FEM.DN3 TEA	230V
14	9991.122.010	CONN. FOR CAPPUCCINATORE WHITE			11008574	SOLE.N.VALVE 21VA 2W.1/8"FEM.DN3 TEA	120V
15	9972.045	SILICONE TUBE 3,5X6 L.350 MM			11008575	SOLE.N.VALVE 15VA 2W.1/8"FEM.DN3 TEA	100V
16	9161.438	NUT FOR STEAM TUBE		50	0334.822	CABLE 1 WIRE SILIC.WHITE TH/FUSE 216°	
17	9161.058.150	INTERNAL PROTECTION FOR TUBE GREY			0334.823	CABLE 1WIRE SIL.WHITE AWG16 TH/FUSE 216°	USA
18	9161.055.710	HANDGRIP FOR ST. TUBE GREY		51	129573202	SCREW TCB TORX 20 M4X8 AUTOFORMING ZN-B	
19	11004225	STAINLESS STEEL STEAM TUBE ROYAL ASSY.		52	U110.004	screw AUT.TCB 3,5X6,5 DIN 7981 F	
20	9990.005.050	PANNARELLO ASS.MIELE BLACK	JAPAN	53	U043.012	SCREW TCB TORX 20 M4X6 ZN-B	
21	9991.153	EXTERNAL COVER PANNAREL.CHROMED	JAPAN	54	9991.039	CABLE RETAINER UL	
22	11008453	TEA/BRASS 90°CONNECTOR FOR FAUCET EV.		55	U046.003	SCREW TCBD TORX 20 M4X12 ZN-B	
23	140324461	OR ORM 0060-20 IN TERMOIL		56	12000892	OETIKER CLAMP D=9,5 16700004	
24	11009006	TEA/BRASS FAUCET BODY		57	NE09.006	THERMOSTAT 170°NC FAST. 90°+WASHER	
25	140321461	OR 2018 IN EPDM		58	9011.187	THERMOSTAT RETAINING SPRING	
26	9161.057	STEAM FAUCET ROD		59	0347.817	CONNECT.3 POLES TURBINE ASSY.	
27	0347.017.710	GREY STEAM KNOB RAL 7021 SERIG.			0348.808	CONNECTOR ASS. 3POLE	
28	U109.027	SCREW TCB TORX 10 AB 2,9X19 SHEET SS		60	U109.005	screw AUT.TCB 3,5X16 DIN 7981 C	
29	NE05.013	MICROSWITCH SAIA XGK52-81-J23		61	11010243	TEA/BRASS 90° DOUBLE CONNECTOR	
30	11009072	INSULATE PROTECTION 24X38,8 FOR MICRO		62	11011243	TEA/BRASS CONNECTOR FOR FAUCET	
31	0312.011	STEAM FAUCET BRACKET		63	148870130	WHITE CAPPUCCINATORE PIN	
32	U140.009	PANELVIT TCB 3,0X16 DIN 7505 B GAL		64	11004689	TEA/BRASS SAFETY VALVE 16-18 BAR ASSY.	
33	NE01.120	BLACK POWER CABLE SCHUKO L=1500		65	126838117	2 THERMOSTATS FIXING SPRING	
	NE01.118	BLACK POWER CABLE CH L=1500		66	11000750	TEA/BRASS CONNECTOR FOR SILICONE TUBE	
	NE01.112	CABLE TW 3 POLE GREY 1 MM 120V		67	16000540	TRANSPAR.10,5X12,3 SILICONE TUBE	IN ROLL
	NE01.114	POWER CABLE AUSTRALIA		68	126838017	SENSOR FIXING SPRING	
	17800032	BLACK POWER CABLE BRAZIL 3F.L=1770		69	129932202	ROUND HEAD SCREW 10.9 M5X20 GALV	
34	9011.144	SS FORK FOR TUBE D.4		70	NM01.057	OR ORM 0050-20 IN SILICONE	



PR ROYAL PROFESSIONAL

TABLE 2a/5



SUP016RE

RI9923/01-02-03

RI9923/04-05-06-07



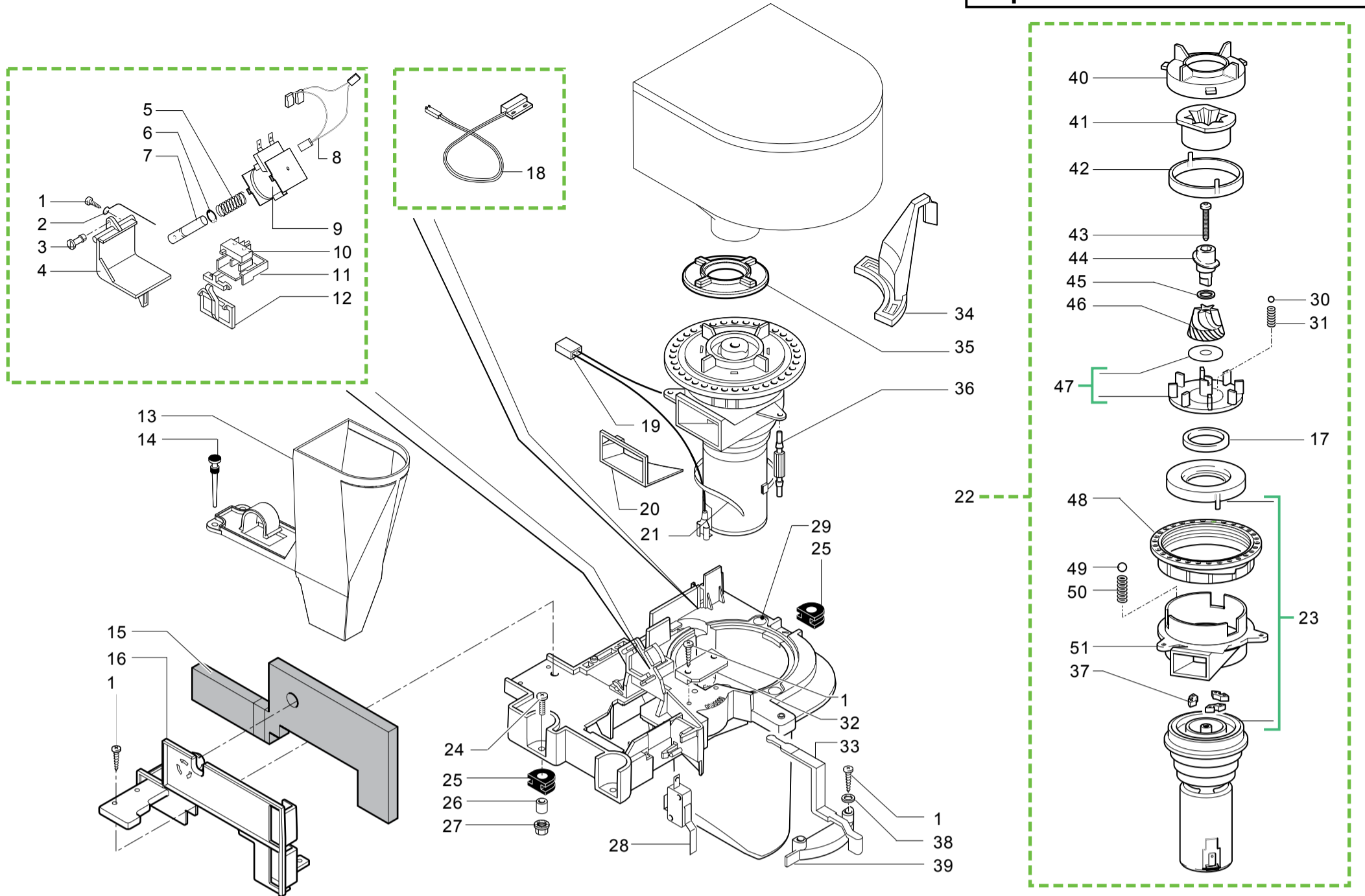
Cod.10003683-87-99

Cod.10003702-11-15-13

POS	CODE	DESCRIPTION	NOTE	POS	CODE	DESCRIPTION	NOTE
71	11005099	CURSOR V2 FOR BOILER P119					
72	11000839	BLACK CLOSURE PLATE					
73	145951600	ELECTRIC INSULATING DISK D=16					
74	11004667	V5 TUB. BOILER W/ADDIT.RESIST.	230V-1100W				
	11004669	V5 TUB. BOILER W/ADDIT.RESIST.	120V-1100W				
	11004668	V5 TUB. BOILER W/ADDIT.RESIST.	100V-1100W				
75	288582300	SENSOR ELECT.BOARD WITH CONNECTOR ASSY.					
76	9161.444	SPACER					
77	JS01.022	SILICONE TUBE 5X10 60SH	IN ROLL				
78	129670202	TCB PANELVIT SCREW 3,5X16 TESTA D=8 ZNP					
79	421944039591	LID FOR POWER CABLE CONT.V2 GREY					
80	421946018581	POWER CABLE CONT.V2 VDE GREY					
	421946018591	POWER SUPPLY CABLE V2 GREY UL					
81	140326662	OR METRIC 0040-20 IN SILICONE					
82	147920150	90° INLET PUMP CONNECTOR					
83	U140.004	PANELVIT TCB 3,0X12 DIN 7505 B GAL					
84	128310521	WASHER UNI 8842 A5 SS					
85	U043.030	SCREW TCBC M5,0X30 UNI 7687 GALV.					
86	11009012	TEA/BRASS BOILER PIN BUSH					
87	9011.132	SS SPRING FOR PIN					
88	0334.803	CONN.ASS. 5POLE					
	0334.810	CONN.ASS. 5POLE UL					
89	144650300	ASPIRATION FILTER GAUZE NET 500 (NEW)					
90	NM01.035	OR ORM 0090-20 SILICONE					
91	9161.434	HOT WATER PIN					
92	149185850	EATON PUMP SUPPORT 4002012 MAGIC					
	11001302	BLACK PUMP SUPPORT W/LOCKING P124					
93	140321961	OR 2031 IN TERMOIL					
94	11009013	TEA/BRASS PIN FOR PISTON L=10					
95	12000140	ULKA PUMP EP5/S GW	230V-50HZ				
	12000131	ULKA PUMP EP5/S	120V-60HZ				
	12000182	ULKA PUMP EP5/S GW	220V-60HZ				
	12000130	ULKA PUMP EP5/S GW	100V-50/60HZ				
	12000167	ULKA PUMP EP5/S GW	240V-50HZ				
96	11009019	TEA/BRASS PISTON L=20,9 ASSY.					
97	9161.018	BRACKET FOR TURBINE					
98		PARTICULAR NOT AVAILABLE	SEE PART.N°41				
	11010379	BOILER V2 PROFESSIONAL 230V ASSY.	COMPLETE				
	11010324	BOILER V2 PROFESSIONAL 120V ASSY.	COMPLETE				
	11010325	BOILER V2 PROFESSIONAL 100V ASSY.	COMPLETE				



PR ROYAL PROFESSIONAL



SUP016RE

RI9923/01-02-03

RI9923/04-05-06-07



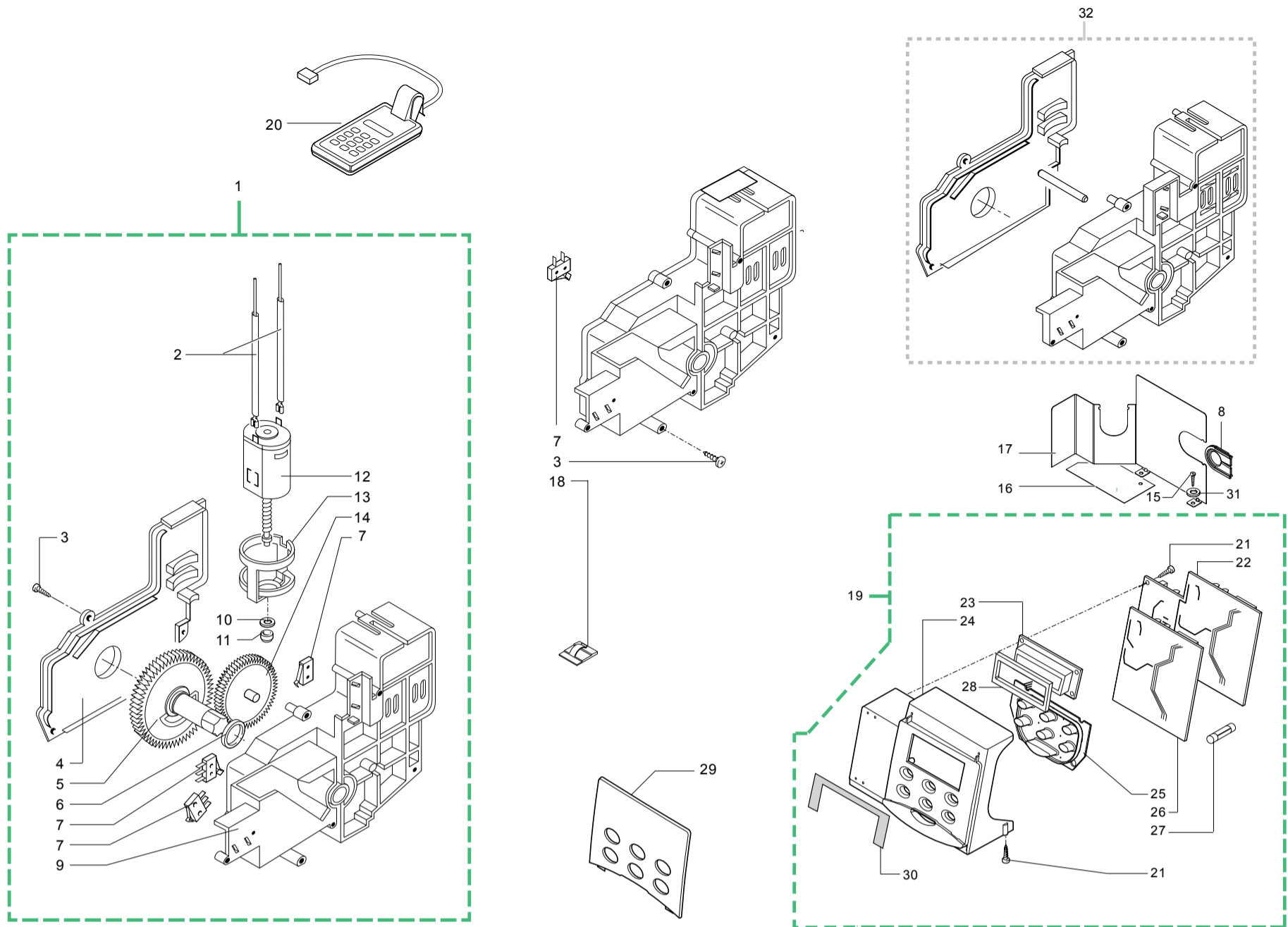
Cod.10003683-87-99

Cod.10003702-11-15-13

POS	CODE	DESCRIPTION	NOTE	POS	CODE	DESCRIPTION	NOTE
01	U140.004	PANELVIT TCB 3,0X12 DIN 7505 B GAL		36	9991.103	ANTIVIBRATION FOR COFFEEGRINDER	
02	9161.048	SCRAPER ROD		37	140230400	SHOCK ABS .CONICAL GRINDER SUPP.MAGIC	
03	9161.076.150	DOSER DOOR PIN GREY		38	U201.001	PLAIN WASHER 3,2X9 DIN 7349 GAL	
04	9161.074.150	DOSER DOOR GREY		39	9161.403.150	7016/GREY COFFEE DOSE ADJUSTMENT SCALE	
05	126764818	SPRING ELECTROM.BEAN DOSER MAGIC		40	149186150	BLACK UPPER GRINDER SUPPORT MAGIC	
06	U701.003	SNAP RING 7 UNI 7434		41		PARTICULAR NOT AVAILABLE	SEE PART.N°46
07	9161.041	DOSER ELECTROMAGNET CORE		42	142844550	UPPER GRINDER COVER COFFEE GRIND. MAGIC	
08	0301.866	CONNECTOR ASS. 2 POLE DOSER COIL		43	129931002	TORX SCREW T10 TCB 3,5X40 SX ZNG	
09	9129.A21.00A	DOSER COIL FOR SUPERAUTOM.ASSY.	230V	44	147470763	INCREASE SCREW PIN COFFEE GRINDER MAGIC	
	9129.A07.00F	COFFEE DOSER COIL ASS.	100V-120V	45	U201.002	PLAIN WASHER 10X16X0,2DIN 988 GAL	
10	NE05.017	MICROSWITCH		46	226473500	KIT TECNA GRINDERS	WITH PART.N°41
11	9161.072.150	MICRO SUPPORT CURSOR GREY		47	149188750	CONICAL GRIND. SUPP. + RING MAGIC	
12	9161.073.150	DOSE CONTROL COMPENSATOR GREY		48	146570950	RING NUT FOR GRINDING ADJUSTMENT MAGIC	
13	9161.223.150	COMPL.HOPP.FOR POWDER COFFEE GRE.		49	128610421	STAIL.STEEL AISI 304 SPHERE D=3,2MM	
14	9161.082	RUBBER COUPLER		50	126770117	NEW SPRING SPHERE D=3,2 MOTOR MAGIC	
15	9161.382	INSULATOR FOR COFFEE GRINDER		51	9141.080	MOTOR SUPPORT	
16	9161.366.150	GREY/7016 SUPPORT FOR INSULATOR					
17	140360200	FELT RING 40X34X5					
18	0301.811	CONNECTOR 2 POLES LEVEL ASSY.					
	283551955	2POL.WATER LEVEL SENSOR SMART UL ASSY.	UL				
19	0301.869	CONNECTOR ASS. 2 POLE COFFEEGRINDE					
	0301.868	2P.CONNECT.COFFEE GRINDER UL					
20	1505.014	COFFEEGRINDER SEAL					
21	144320200	SELF LOCK STRIP W=2.6 L=200					
22	9140.036.00A	COFFEE GRINDER STD ASSY.	230V				
	9140.035.00A	ASS.MACINACAFFE'ITA	230V				
	9140.036.00F	COFFEE GRINDER STD ASSY.	120V				
	9140.036.00R	COFFEE GRINDER STD ASSY.	100V				
23	0301.R10.00A	SPARE MOTOR UNIT MC	230V				
	1501.R09.00F	MOTOR SPARE UNIT	120V				
	1501.R09.00R	MOTOR SPARE UNIT	100V				
24	U043.004	ZN-B TCB SCREW M4X16					
25	9991.005	RUBBER FOR COFFEE GRINDER					
26	9141.003	SPACER FOR RUBBER					
27	U324.006	NUT M4 FLANGED INDENTED BASE					
28	NE05.037	MICROSWITCH					
29	9161.365.150	GREY PLATE FOR COFFEEGRINDER					
30	128610521	STAIL.STEEL AISI 304 SPHERE D=5,5MM					
31	126765517	STEEL SPRING SPHERE D=5,5 MOTOR MAGIC					
32	9161.097.150	LEVER FIXING PLATE GREY					
33	0313.003.150	ADJUSTMENT LEVER GREY RAL 7016					
34	9161.080.910	GRINDING ADJUSTM.LEVER SILV.TURMIX					
35	1505.020	GASKET COFFEE GRINDER UL					



PR ROYAL PROFESSIONAL



SUP016RE

RI9923/01-02-03

RI9923/04-05-06-07



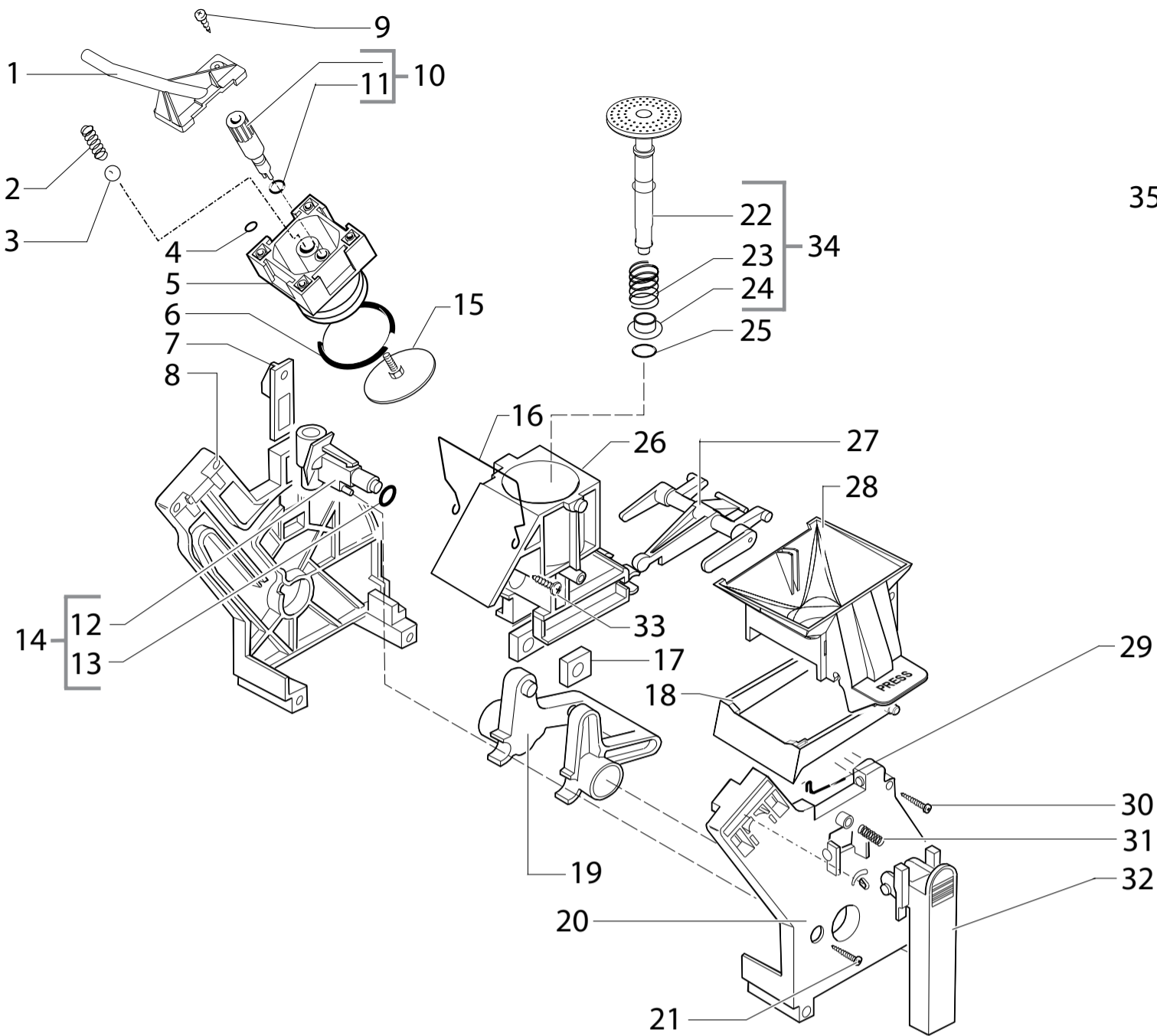
Cod.10003683-87-99

Cod.10003702-11-15-13

POS	CODE	DESCRIPTION	NOTE	POS	CODE	DESCRIPTION	NOTE
01	9120.051.150	WIRED RATIOMOTOR ROYAL GREY ASSY.		31	128310404	WASHER UNI 8842 A4 BURNISHED	
	9120.057.150	WIRED RATIOMOTOR ROYAL UL ASSY.		32	20007052	SPARES KIT GEARS FOR RATIOMOTOR RYL	
02		PARTICULAR NOT AVAILABLE	SEE PART.N°12			UP TO S/N TV901202001267	
03	129670202	TCB PANELVIT SCREW 3,5X16 TESTA D=8 ZNP					
04	17000719	GREY RATIOMOTOR LID RYL					
		FROM S/N TV901202001268					
05	9121.069.150	GEAR Z=108 FOR MOUNTING PLATE M4000					
06	9161.368	MYLAR WASHER FOR RATIOMOTOR					
07	NE05.038	MICROSWITCH					
08	9161.429	PASSACAVO GRANDE X SQUADRETTA					
09	11027899	GREY RATIOMOTOR CASING W/DUCT V2 ASSY.					
		FROM S/N TV901202001268					
10	148380200	BAKELIZZATE WASHER D=5,5					
11	9121.046	BRONZE SINTERED BUSH FOR MOTOR					
12	9120.053	ASS.MOTORE X MOTORIDUTTORE ROYAL	WITH PART.N°2,13				
12	9120.059	GEN.MOTOR FOR RATIOMOTOR ROYAL DGT UL AS	WITH PART.N°2,13				
13	9121.044	ANTIVIBRATION FOR MOTOR					
14	9121.042	GEAR Z.12/90					
15	U110.004	screw AUT.TCB 3,5X6,5 DIN 7981 F					
16	0360.025	MYLAR GUARD FOR ELECTRONICS					
17	9161.427.050	PROTECTION BRACKET					
18	NE17.002	ADH.CABLE RETAI.ROUND CABLE D=10MM					
19	0351.R03.77A	SPARES WHOLE ELECTRONICS					
19	0351.R03.77F	SPARES WHOLE ELECTRONICS					
19	0351.R04.77A	SPARES WHOLE ELECTRONICS					
19	0351.R03.77R	SPARES WHOLE ELECTRONICS					
20	20000922	KIT COMPLETE PROGRAMMER SW SERKIT					
21	129913202	SCREW TCB TORX 10 3X8 PLAST.ZN-B					
22	0351.804.00A	POWER CARD ROYAL PROFESSIONAL	230V				
	0351.804.00F	POWER CARD ROYAL PROFESSIONAL	120V				
23	0347.816	DISPLAY FOR ROYAL REDESIGN					
24	11006458	SILVER ELECTRONICS SUPPORT ROYAL					
25	0348.801	WHOLE KEYBOARD DIGITAL PLUS					
26	0351.803	CPU/TOUCH PANEL PROFESSIONAL					
26	0351.808	CPU/TOUCH PANEL PROFESSIONAL ITA					
26	0351.821	CPU/TOUCH PANEL PROFESSIONAL	USA				
26	0351.820	CPU/TOUCH PANEL PROFESSIONAL	JAPAN				
27	184950400	FUSE T8 AMP.5X20 SAND-BLASTED					
	184950300	FUSE T32 M.AMP.5X20 DELAYED					
28	149090500	DOUBLE SIDED ADHESIVE STRIP					
29	0351.002.770	SILVER SERIGRAPHED ESCUTCHEON					
	0354.004.770	SILVER SERIGRAPHED ESCUTCHEON	CHROME VERSION				
30	0347.015	ADHESIVE FOR PACKAGING					



PR ROYAL PROFESSIONAL



SUP016RE

RI9923/01-02-03

RI9923/04-05-06-07



Cod.10003683-87-99

Cod.10003702-11-15-13

POS	CODE	DESCRIPTION	NOTE	POS	CODE	DESCRIPTION	NOTE
01	11003789	BLACK COFFEE OUTLET SLEEVE					
02	9161.222	SS.CONICAL SPRING					
03	421944034451	BOROSILICATE SPHERE D.5 MM					
04	11021334	BLK COUNTERPISTON SEAL DE=11 DI=8 SP=1,5					
05	11003796	BLACK COUNTERPISTON FOR COFFEE UNIT					
06	NM01.044	OR ORM 0320-40 IN SILICONE PTFE/FDA					
07	11004114	BLACK PLATE FOR UNIT COUPLING					
08	11003792	BLACK REAR PLATE FOR UNIT					
09	U140.019	SCREW TCB TORX 10 3X16 PLAST SS					
10	227470150	PIN BLACK ASS.FOR PERCOLATOR					
11	NM02.006	OR R5 TERMOIL					
12	9161.064.050	BLACK WATER INLET SLEEVE BREW UNIT					
13	NM02.007	OR 2025 TERMOIL					
14	20000440	BLACK WATER INLET SLEEVE BREW UNIT ASSY.					
15	9160.075	PERCOLATOR DE=35,8 ELFO ASSY.					
16	11001556	SPRING H=49 FOR COFFEE BREW UNIT SMART					
17	9161.094.050	BLACK DRILLED BLOCK BREW UNIT					
18	11004161	BLACK SCRAPER FOR COFFEE UNIT					
19	9161.066.050	ELBOW SHAFT FOR UNIT BLACK					
20	11003793	BLACK FRONT PLATE FOR UNIT					
21	12000550	SCREW TCB TORX 10 3X25 PLAST.SS					
22	11003077	BLACK 8GR.BREW UNIT INTEGR.PISTON ASSY.					
23	9161.198	SS.8GR.BREW UNIT PISTON SPRING					
24	9161.191	WHITE 8GR.-12GR.BREW UNIT PISTON BUSH					
25	NM02.018	OR ORM 0090-25 TERMOIL					
26	11003075	BLACK COFFEE CONTAINER BREW UNIT P124	WITH PART.N°25				
27	11003078	BLACK CONNECTING ROD FOR UNIT 8GR.					
28	11003795	BLACK HOPPER FOR UNIT W/SILKSCREEN PRESS					
29	9161.046	SPRING FOR UNIT SCRAPER					
30	12000897	SCREW TCB TORX 10 3,5X20 PLAST.SS					
31	9161.045	SPRING FOR UNIT HANDGRIP					
32	11003791	BLACK HANDGRIP FOR COFFEE UNIT					
33	129912521	SCREW TCB TORX 10 3,5X14 PLAST.SS					
34	11023086	BLK 8GR.BREW UNIT NTEGR.PISTON GEN.ASSY.					
35	11003800	BLACK BREW UNIT MAGIC/ROYAL					



PR ROYAL PROFESSIONAL

TABLE 5/5