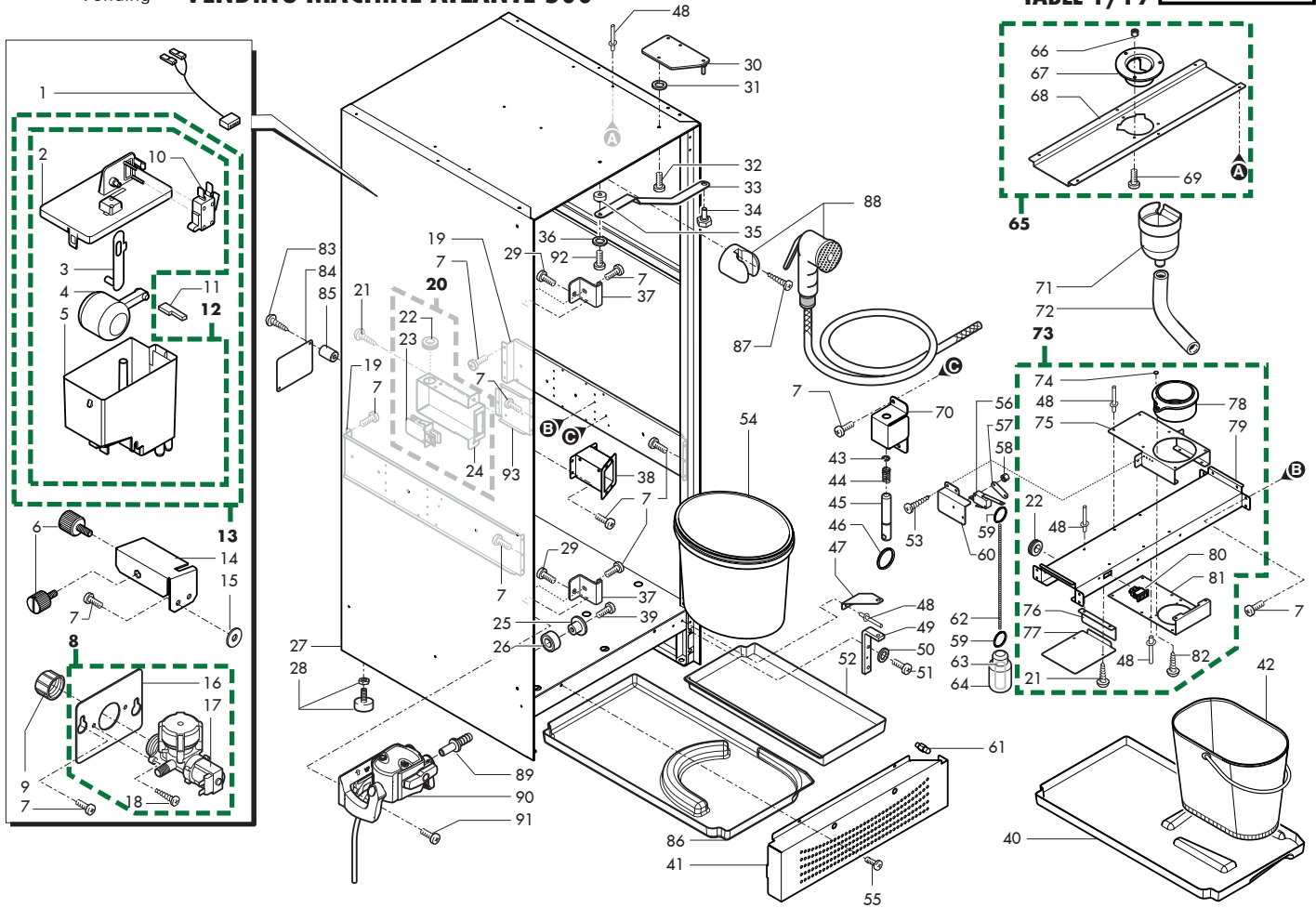
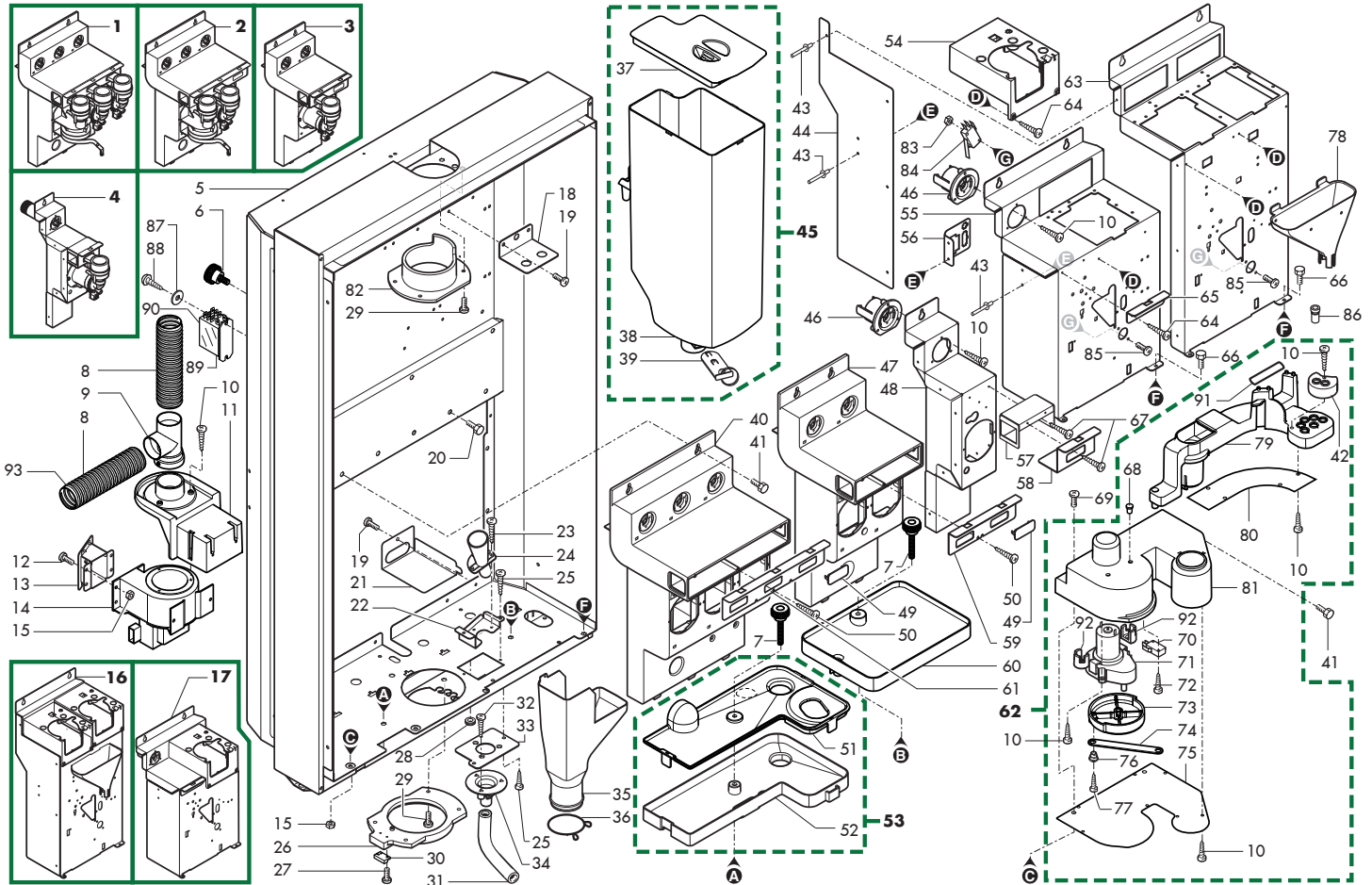


TABLE 1/19



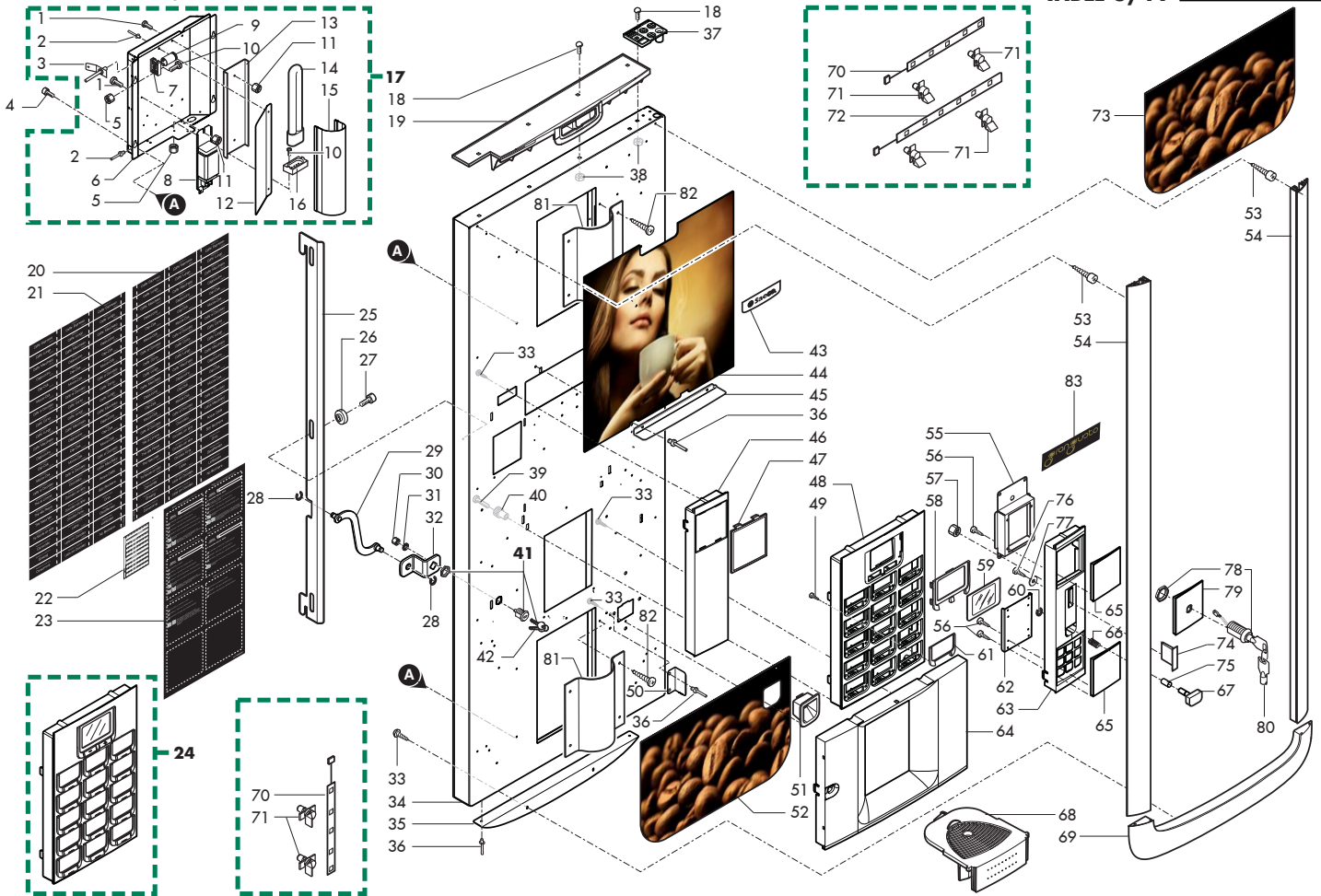
Pos.	Code	Description	Note
1	11009582	Air Break Harness Sg650	
2	9111.623	Lid Tank Air Break	
3	9111.512	Lever For Water Tank	
4	9111.508	Float For Air Break Bowl	
5	9111.622	Tank Air Break	instant
5	9111.641	Tank Air Break	espresso
6	9111.330	Knurled Male Hand Bolt M5	
7	U127.011	Screw Tapt.Tcb M5,0X8 Din 7500C	
8	9110.136.00P	Ass.Electrovalve Inlet Water 24V	
9	NV03.002	Cap 3/4 Kapsto 800R 3/4	
10	NE05.062	Microswitch + Wheel	
11	9111.632	Rubber For Air Break	
12	9110.102	Water Tank Ass. Air-Break Sg New	instant
12	9110.134	Water Tank Ass. Air-Break Sg700 M.	espresso
13	11009786	Ass. Air/Break Assemble Sg650	espresso
13	11010386	Ass. Air/Break Assemble Sg650 Instant	instant
14	9111.521	Left Support Water Tank	
15	9111.501	Insulation Washer	
16	9111.670	Omega Support Electrovalve	
17	9121.057.00P	Safety Electrovalve 24V Dc	
18	U110.003	Screw Aut.Tcb 3,5X9,5 Din 7981 F	
19	11023114	Cross Beam Ass. R/L Sides Atlante500	
20	11008480	Ass.Interblock	
21	U110.005	Screw Aut.Tcb 3,9X9,5 Din 7981 F	
22	NE16.002	Grommet D.11X20,5Xh.7	
23	NE05.039	Bipolar Microswitch	
24	11008473	Box	
25	11006477	Fs400 Door Pivot For Wheel	
26	11003474	Fs400 Door Wheel	
27	11023091	Ass.Casing To Rivet Atlante500 Blk	
28	NV01.002	Foot D.34 H.35 With Nut M10	
29	U046.005	Screw Te M5,0X10 With Washer	
30	11008614	Ass.Upper Hinge Pivot	
31	U207.013	Plain Washer 6.5X18 Uni 6592 Galv	
32	U046.006	Screw Te M6,0X10 With Washer	
33	11009898	Stop For Door Sg650	
34	0871.126	Screw For Lock Rod	
35	11008644	Lock Pin	
36	11013032	Spacer For Door Brake	
37	11023439	Rod Lock Hookup	
38	11023534	Ass.Channel Aspiration	
39	12000780	Screw Tspc M4,0X20 Uni 7688 Galv.	
40	11023691	Bottom Tub Left Atlante500	up to s.n. 9014ATL0006467
41	11023266	Skirting Band Assembly Atlante500	
42	12000031	Bucket Utilplastic 18262 Kouros 1 Black	up to s.n. 9014ATL0006467
43	U701.003	Snap Ring 7 Uni 7434	
44	9111.355	Spring For Change Button	
45	11009672	Pin Fixing Revolving Plate	
46	1431.003	Keyholder Ring	

Pos.	Code	Description	Note
47	11008669	Lower Hinge Plate Sg650	
48	12000962	Multigrip Rivets 4.8X11	
49	11008668	Lower Hinge Sg650	
50	U208.009	Toothed Washer 8,4X15 Uni 3703	
51	12001174	Screw Tcei M8X35 Uni 5931 Zin	
52	11023690	Bottom Tub Right Atlante500	
53	U109.011	Screw Aut.Tcb 3,9X9,5 Din 7981 C	
54	12002042	Bucket Utilplastic 328X250X300 Black	from s.n. 9014ATL0006468
55	U043.008	Screw Tcbc M5,0X10 Uni 7687 Galv.	
56	NE05.041	Microswitch	
57	9111.407	Micro Plate	
58	U324.005	Nut M3 Flanged Indented Base	
59	9111.148	Elastic Ring For Float	
60	11032614	Support Micro Floating	
61	NF11.041	Pin For Skirting	
62	11009608	Chain For Afloat L.250Mm Sg650	
63	9111.147	Counterweight For Float	
64	9111.130	Float For Discharge Level	
65	11023264	Upper Cross Ass.	
66	U324.003	Nut M5 Flanged Indented Base	
67	11008267	Flangia Superiore Di Rotazione	
68	11023117	Roof Cross Beam X Plate Revolving Atl500	
69	U043.015	Screw Tcbc M5,0X12 Uni 7687 Galv.	
70	11009671	Pin Support Fixing 90°	
71	11009607	Tube Conveyor Liquids Discharge Central	
72	11014050	Flexible Tube D.21 L.250Mm	
73	11023118	Lower Cross Ass.	
74	9991.093	Magnet D=9,5 X H=1,5	
75	11008252	Center Support Rotation	
76	11008476	Cover Reinforce	
77	11008477	Cover	
78	11008260	Lower Bush Of Rotation	
79	11023119	Omega Central Support Plate Revolving	
80	NE13.046	Socket 2 Pole + Earth 08168600W	
81	11008253	Plate For Support	
82	U116.006	Screw Aut.Pt Tcb 3,5X12 Wn 1441 Znp	
83	129516803	Screw Tcb3,5X19 Din 7981 Nick	
84	11012508	Air Deflector Plate Atlante	
85	11010659	Spacer For Deflector	
86	11032652	Bottom Tub Left Atlante500	from s.n. 9014ATL0006468
87	U109.005	Screw Aut.Tcb 3,5X16 Din 7981 C	
88	12001922	Ass.Doccetta C/Tubo Raccordato E Supp.	HFB
89	12001921	Rubber Holder 8Mm John Guest	HFB
90	12001920	Head Filtre Brita Johnquest 8Mm	HFB
91	U043.014	Screw Tcbc M5,0X20 Uni 7687 Galv.	
92	U043.016	Screw Tcbc M5,0X16 Uni 7687 Galv.	
93	11033450	Fixing Plate Sidebucket	



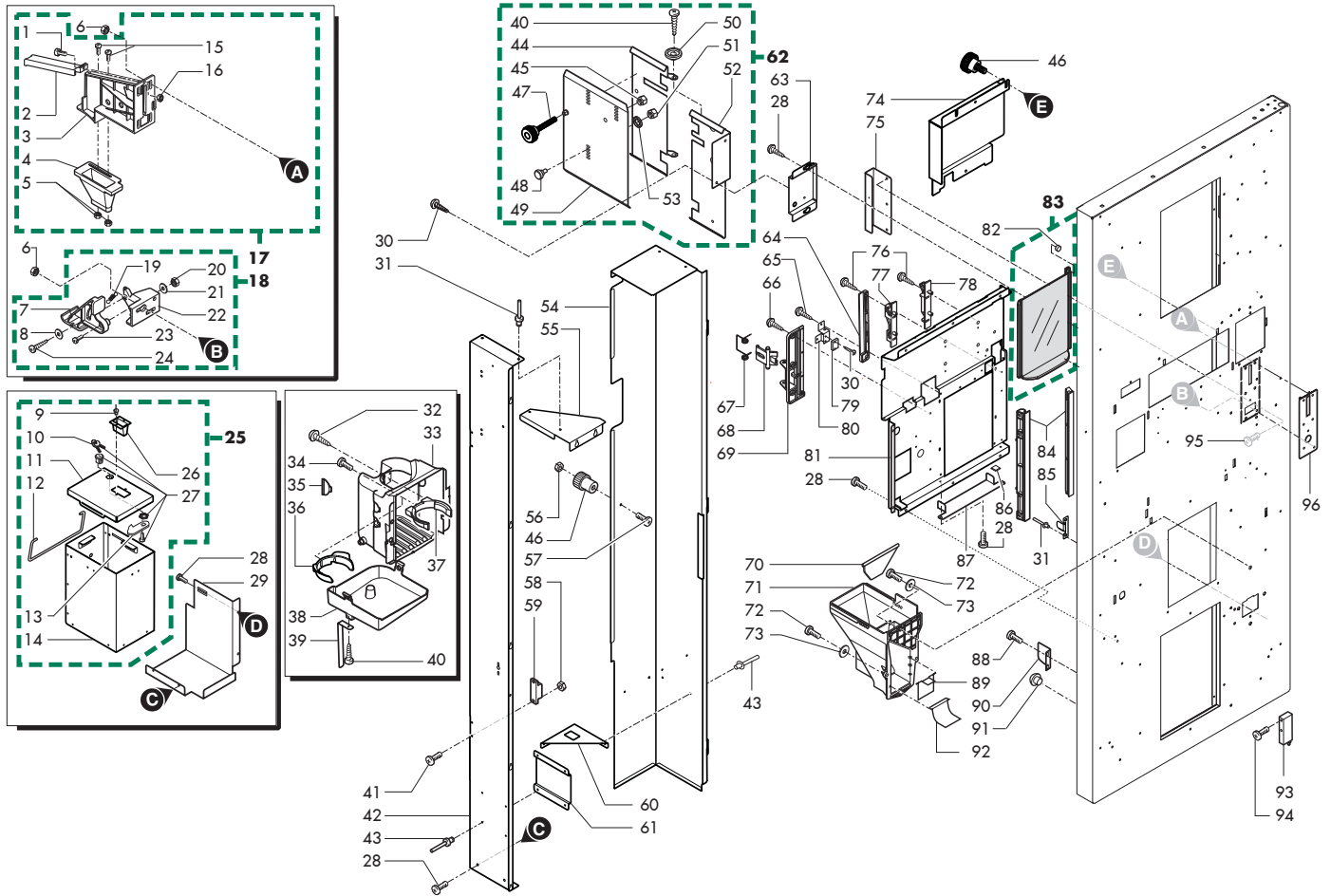
Pos.	Code	Description	Note
1	11024169	Ass. Module 3 Motor Atlante500 1C	espresso
1	11031405	Module 3 Motor Atl500 Ttt	HFB
2	11024288	Ass. Module 3 Motor Atlante500 Inst.	instant
3	11024289	Module 2 Motor Atlante500 Inst.Rx	instant
3	11026610	Module 2 Motor Atlante500 Inst.Lx	instant
4	11023496	Ass. Module 1 Motor	HFB
4	11024167	Ass. Module 1 Motor	espresso
5	11032770	Revolving Plate Skin Atl500	
6	12002030	Knob D.18 M5X10	
7	12002032	Knob D.18 M5X40	
8	0894.009	Spiral Tube D.32 L=280 Mm	
9	9111.640.060	Tube Connector	
10	U116.006	Screw Aut.Pt Tcb 3,5X12 Wn 1441 Znp	
11	9111.732.A20	Support	
12	U043.015	Screw Tcbc M5,0X12 Uni 7687 Galv.	
13	11023531	Ass.Channel Fan Aspiration	
14	9121.198.00A	Centrifugal Fan Cap 07	
15	U324.003	Nut M5 Flanged Indented Base	
16	11024110	Ass. Module 1 Grind Atlante500	espresso 2M
16	11028472	Ass. Module 1 Grind Atlante500	espresso 2M
17	11024172	Ass. Module Coffee 1 Grind Atlante500	espresso 1M 4CS
17	11027850	Ass. Module Coffee 1 M 5 Cs Atl500	espresso 1M 5CS
17	11031407	Ass. Module 1 Grind Atl500 Ttt	HFB
18	11024340	Support Coffee Container Atl500	espresso
19	U127.011	Screw Tap.Tcb M5,0X8 Din 7500C	
20	129720902	Te Screw M5X10 Uni 5739 Znp	
21	11010729	Tube Support Sg650	instant
22	11024177	Dumping Support Atlante500	espresso
23	U110.003	Screw Aut.Tcb 3,5X9,5 Din 7981 F	
24	9111.527.050	Tube Conveyor Coffee Discharge	espresso
25	U110.005	Screw Aut.Tcb 3,9X9,5 Din 7981 F	
26	11008265	Lower Flange Of Rotation	
27	U116.005	Screw Aut.Pt Tcb 3,0X8 Wn 1441	
28	NE16.002	Grommet D.11X20,5Xh.7	
29	U044.011	Screw Tspc M5,0X16 Uni 7688 Galv.	
30	1863.649	Reed For Door	
31	11021498	Flexible Tube D.11,5-14,5 L.360Mm	instant
31	9974.027	Pvc Tube 20X27 L.360 Mm	espresso
32	U111.005	Screw Aut.Tsp 3,9X9,5 Din 7982 C	
33	11010728	Funnel Support	instant
34	9111.446.050	Funnel For Mixer Tray	instant
35	0862.111.050	Grounds Duct	espresso
36	0862.112	Grounds Sack Ring 8P	espresso
37	11024054	Cover For Coffee Container Atlante500	espresso 2M
37	9111.728	Cover For Coffee Container	espresso 1M
38	11024053	Container For Coffee Bean Atlante500	espresso 2M
38	9111.724	Container For Coffee Bean	espresso 1M
39	11010736	Ass.Guillotine Coffee	espresso
40	11008244	Module 3 Motor	
41	U046.001	Screw Tezf M5,0X16 Uni 6921 Galv.	
42	11031748	Cartegho Nozzles Support	
43	NF11.115	Blind Rivets	
44	11024371	Support Pannel Unit	espresso 2M
45	11024061	Coffee Tank Assembly Atlante500	espresso 2M
45	9110.139	Coffee Cont. Ass.	espresso 1M
46	11001574	Flange Fixing Ratiomotor Lip	espresso
47	11008259	Module 2 Motor	instant

Pos.	Code	Description	Note
48	11024166	Ass. Module 1 Motor	espresso
49	9111.481.060	Column Cap	instant
50	U116.003	Screw Aut.Pt Tcb 3,0X12 Wn 1441	
51	11025811	Boiler Case Atlante500 Brown	
52	11025810	Case Of Condense Atl500 Brown	
53	11024052	Tank Atlante500	
54	11008262	Grind Support	espresso
55	11024338	Coffee Module 1 Grind	espresso 1M
56	11009912	Connector Support Sg650	espresso
57	11023499	Single Aspiration Channel Atlante500	espresso
58	11023498	Cover For Single Aspiration Channel	espresso
59	11008246	Aspiration Steel Sheet At 3	instant
60	11025460	Mixer Tray Atlante500	instant
61	11008245	Aspiration Steel Sheet At 3	
62	11023942	Arm Support Atlante500	up to s.n. 9015ATL0007153
62	11031750	Arm Support	HFB
62	11033178	Arm Support Atl500 25Rpm	up to s.n. 9015ATL0007153
62	11033179	Arm Support	from s.n. 9015ATL0007154
63	11024337	Coffee Module 2 Grind	espresso 2M
64	U110.002	Screw Aut.Tcb 3,5X13 Din 7981 F	
65	11024339	Support Soluble Container Atl500	espresso 1M
66	U046.005	Screw Te M5,0X10 With Washer	
67	129511903	Screw Tcb 2,9X6,4 Din 7981 Bz Nick	
68	9161.305.150	Grey 8Gr.Brew Unit Integral Piston Plug	
69	U043.031	Screw Tcbc M5,0X40 Uni 7687 Galv.	
70	NE05.002	Microswitch	
71	11025284	Motoriduttore Fiber 37Rpm	up to s.n. 9015ATL0007153
71	11033191	Gearmotor Mechtex 25 Rpm	from s.n. 9015ATL0007154
71	9121.107.00P	Stirrer Ratiomotor Fiber	HFB
72	U110.012	Screw Tc Wn1412/Bn13577 Zinc Bia Ka 3X2	up to s.n. 9015ATL0007153
73	11023694	Cam Arm Atlante500	
73	11031824	Cam Arm Atlante500	HFB
74	11023944	Connecting Rod Arm Atlante500	
75	11023943	Support Arm Plate Atlante500	
76	9111.204	Bush For Spring Compensate Stirrer	
77	U116.002	Screw Aut.Pt Tcb 3,5X16 Wn 1441	
78	11032060	Tube Conveyor Coffee Double Grind	espresso 2M
79	11023693	Nozzle Arm Atlante500	
80	11023945	Plate Fro Arm Atlante500	
81	11023692	Support Arm Atlante500	up to s.n. 9015ATL0007153
81	11033188	Support Arm Atlante500	from s.n. 9015ATL0007154
82	11008268	Upper Pin Of Rotation	
83	U324.005	Nut M3 Flanged Indented Base	
84	NE05.018	Microswitch	
85	129824002	Tcb Screw M4X10 Uni 7687 Znp	
86	11031340	Bush	
87	U201.001	Plain Washer 3,2X9 Din 7349 Galv.	
88	U110.011	Screw Aut.Tcb 2,9X9,5 Din 7981 F	
89	12001124	Relay Finder 056.26	HFB
90	1484.605	Power Relay 12A	HFB
91	140321762	O-Ring 3218 Silicone	
92	11033193	Spacer Motor Arm	from s.n. 9015ATL0007154
93	0875.424	Tube For Aspirator	Instant



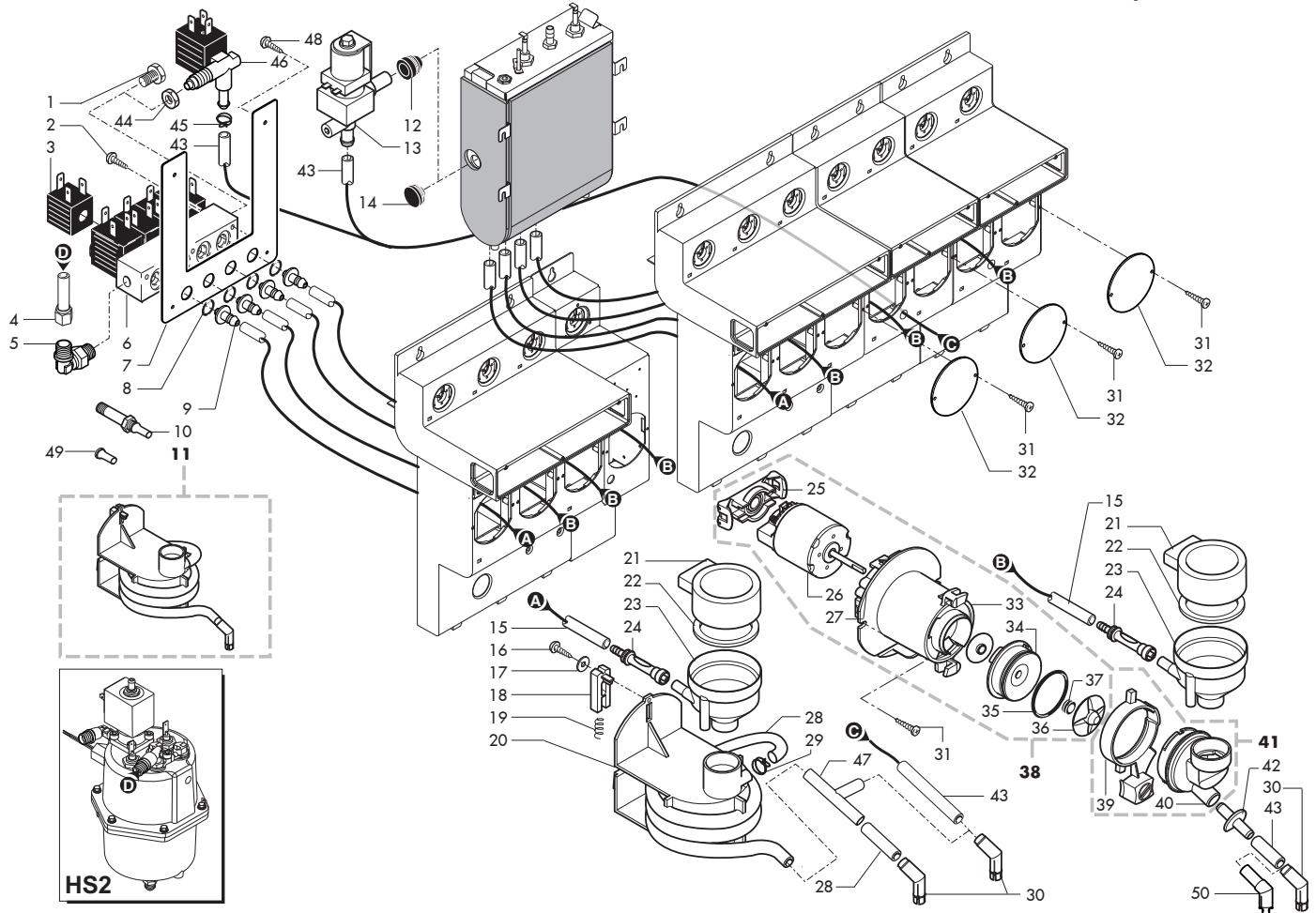
Pos.	Code	Description	Note
1	12002039	Screw Tcbd Torx 20 M4X12 Zn-B	
2	NF11.115	Blind Rivets	
3	12002060	Rivet Ground One Terminal 1000071	
4	U127.011	Screw Tapt.Tcb M5,0X8 Din 7500C	
5	U324.005	Nut M3 Flanged Indented Base	
6	11009755	Support Lamp Advertising	
7	NE13.021	Starter Holder	
8	NE13.059.00A	Power Supply For Neon 18W	
9	NE13.020	Starter	
10	12002050	Screw Tcb Torx 10 M3X12 Zn-B	
11	U324.006	Nut M4 Flanged Indented Base	
12	11010040	Support Deflector Lamp	
13	11010830	Lamp Support	
14	NE13.062	Neon Ge Biax 18W Bx18840	
15	11009694	Lamp Protection	
16	NE13.063	Lamp Holder Ags 443/A X2G11	
17	11009754	Advertising Lamp Ass.	Neon
18	U047.008	Capstan Screw With Frame M6X20	
19	11023716	Upper Frame Atlante500 Silver	
20	15001691	Products Label'S Sheet Rx Atlante Ita	
20	15001693	Products Label'S Sheet Rx Atlante Eng	
20	15001695	Products Label'S Sheet Rx Atlante Fra	
20	15001697	Products Label'S Sheet Rx Atlante De	
20	15001699	Products Label'S Sheet Rx Atlante Spa	
20	15001701	Products Label'S Sheet Rx Atlante Por	
20	15001703	Products Label'S Sheet Rx Atlante Ni	
21	15001690	Products Label'S Sheet Lx Atlante Ita	
21	15001692	Products Label'S Sheet Lx Atlante Eng	
21	15001694	Products Label'S Sheet Lx Atlante Fra	
21	15001696	Products Label'S Sheet Lx Atlante De	
21	15001698	Products Label'S Sheet Lx Atlante Spa	
21	15001700	Products Label'S Sheet Lx Atlante Por	
21	15001702	Products Label'S Sheet Lx Atlante Ni	
22	0775.989	Price Labels White Euro	
23	15002650	Instruction Label'S Sheet Atl500 Ita	
23	15002651	Instruction Label'S Sheet Atl500 Eng	
23	15002652	Instruction Label'S Sheet Atl500 Fra	
23	15002653	Instruction Label'S Sheet Atl500 De	
23	15002654	Instruction Label'S Sheet Atl500 Spa	
23	15002655	Instruction Label'S Sheet Atl500 Por	
23	15002656	Instruction Label'S Sheet Atl500 Ni	
24	11024035	Ass.Push Button Atlante500	
25	11023261	Rod For Lock Atlante500	
26	11008644	Lock Pin	
27	U046.001	Screw Tefz M5,0X16 Uni 6921 Galv.	
28	U701.011	Steel Snap Ring 5 Uni 7434	
29	11008615	Lever Ass. Lock	
30	U302.004	Nut Hexagonal M6 Uni 5588	
31	U208.006	Toothed Washer 6,4X11 Uni 3703	
32	11008640	Lever For Lock	
33	U116.006	Screw Aut.Pt Tcb 3,5X12 Wn 1441 Znp	
34	11023121	Door Rivet Atlante500 Blk	
35	11023720	Plate Fixing Atlante500	
36	12000962	Multigrip Rivets 4.8X11	

Pos.	Code	Description	Note
37	11010205	Adapter Upper Frame Silver	
38	U310.004	Nut Self Lock.M6 Uni 7473	
39	U005.018	Screw Te M5,0X16 Uni 5739 Znp 8.8	
40	9111.307.270	Stirrer Plate Knob 8P	
41	NV02.229	Lock Rielda Mod.512 + Key	
42	NV02.243	Key Rielda Aj306A	
43	11008639	Logo Saeco Glass Sg650	red white
43	11031029	Vetrino Logo Saeco Atl700 White	
44	11024080	Upper Advertising Plate Atlante500	Gran Gusto
44	11030817	Upper Advertising Plate Atl500 C.B	
45	11023455	Upper Support Plate Atlante500	
46	11024252	Left Side Panel Sg650	
47	11023709	Publicity Front Plate Atlante500	
48	11024036	Pannello Tastiera Atlante500	
49	129670302	Tcb Panelvit Screw 2,9X9,5 Tes.D=7,5 Znp	
50	11010203	Upper Support Plate Sg650	
51	11008597	Front Plate Sg650	
52	11024081	Lower Advertising Plate Atlante500	Gran Gusto
52	11030816	Lower Advertising Plate Atl500 C.B	
53	U143.021	Screw Special 4,8X9,5 Self Tap.	
54	11008622	Side Strip Aesthetic Silver	
55	11023766	Support Cover M125 Omega	
56	U110.003	Screw Aut.Tcb 3,5X9,5 Din 7981 F	
57	U324.003	Nut M5 Flanged Indented Base	
58	11008619	Display Front Plate	
59	11008635	Display Glass 5P07	
60	U701.003	Snap Ring 7 Uni 7434	
61	11008621	Button Front Plate	
62	11023763	Sheet Metal Cover Slave Atlante650	
63	11032113	Right Side Panel Atl700	
64	11023706	Dispenser Frame Vain Atlante500	
65	11023653	Cover Slave Atlante650	
66	9111.355	Spring For Change Button	
67	11012634	Push Button Sg650 Silver	
67	11031373	Push Button Sg650	
68	11001836	Fs400 Standard Grill	
69	11023705	Lower Strip Aesthetic Silver Atlante50	
70	11031811	290Mm Led Board	Led
71	9111.402	Spacer For Card	
72	11031810	400Mm Led Board	Led
73	11031372	Lower Advertising Plate Atl500 Autobar	HFB
74	11031374	Cap For Insert Coin	HFB
75	11031375	Bush Block Button Change Giver	HFB
76	U109.005	Screw Aut.Tcb 3,5X16 Din 7981 C	
77	U201.001	Plain Washer 3,2X9 Din 7349 Galv.	
78	12001931	Lock Meroni 3355/11Ka+Harness	HFB
79	11031790	Cover Slave Atl700	HFB
80	20007220	Key Meroni 3H1833Cttc- Ka0514520X	
81	11030086	Reinforcement Image Advertising Atlante	Led
82	U110.004	Screw Aut.Tcb 3,5X6,5 Din 7981 F	
83	15004049	Adhesive Gran Gusto	Gran Gusto



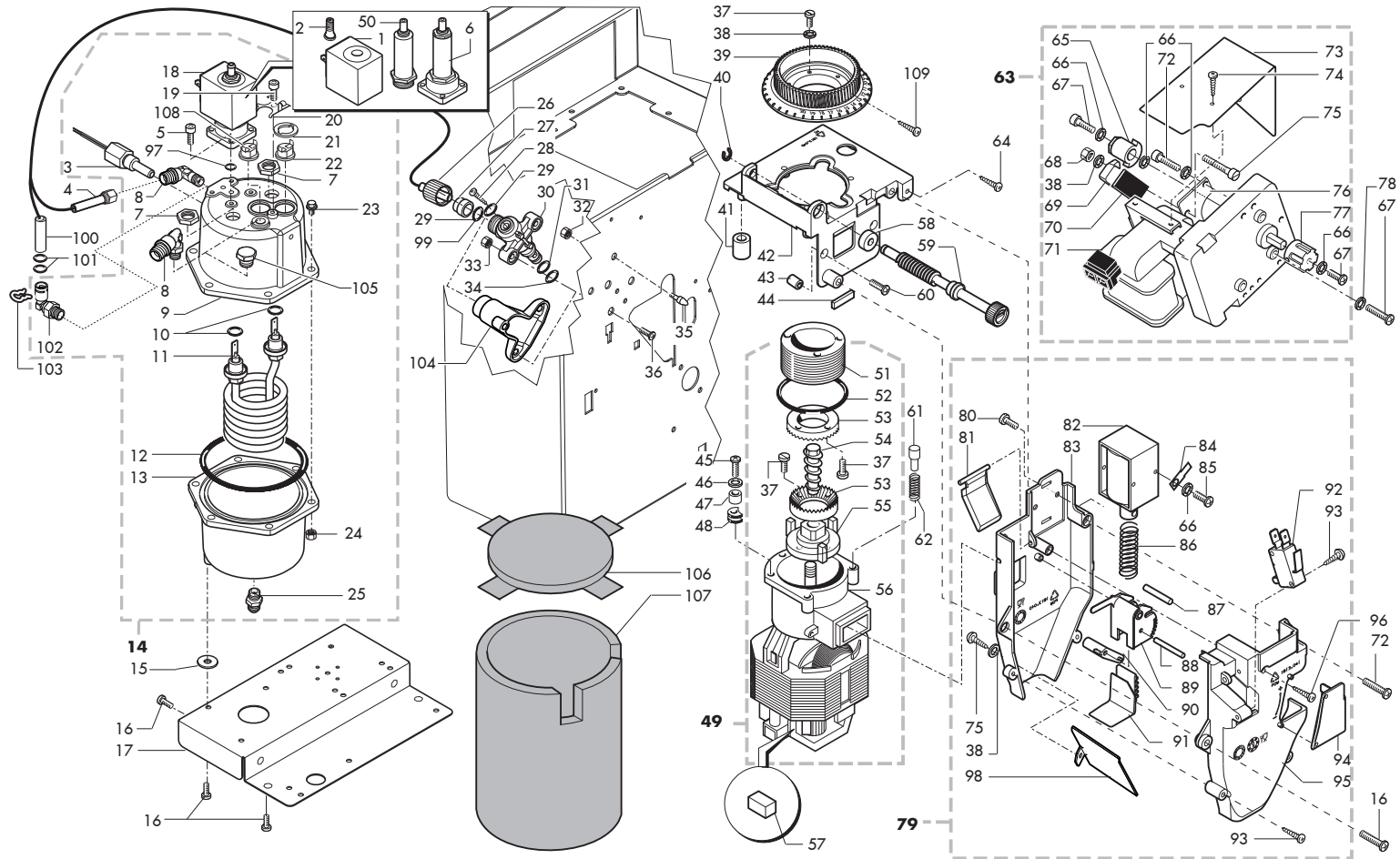
Pos. Code	Description	Note
1	U043.007	Screw Tcbc M3,0X8 Uni 7687 Galv.
2	11011663	Slide Cover Coin
3	11011616	Coin Chute
4	11011617	Coin Conveyor Adjustable
5	U302.003	Galv.Nut Hexagonal M4 Uni 5589 Zn
6	U324.003	Nut M5 Flanged Indented Base
7	11011660	Lever Coin Recovery
8	U212.006	Washer 3,2X11X0,5 Znp
9	NF11.027	Expansion Rivet D.4X7,95 Alu.
10	20007333	Key Meroni 337
10	0701.R29	Key Ka 35
11	11023451	Cover Coin Box Atlante500
12	9111.388	Handle For Coin Case
13	11001583	Lever For Lock
13	11031071	Lever For Lock
14	11009683	Coin Case Ass.
15	12002039	Screw Tcbd Torx 20 M4X12 Zn-B
16	U302.002	Nut Hexagonal M3 Uni 5588
17	11011613	Coin Chute Ass.
18	11011615	Lever Ass. Coin Recovery
19	9111.397	Spring For Tray /Lever Coin Recove
20	123453102	Galv.Self Lock Nut High M4 Din 982
21	U201.005	Plain Washer 4,3X12 Din 7349 Gal
22	11011619	Support Lever Coin Recovery
23	129825002	Tcb Screw M4X20 Uni 7687 Znp
24	U116.005	Screw Aut.Pt Tcb 3,0X8 Wn 1441
25	11025096	Coin Case Atl500
26	9111.174.050	Coin Hopper
27	12001902	Lock Meroni 337
27	20007143	Kit Spare Part
28	U127.011	Screw Tapl.Tcb M5,0X8 Din 7500C
29	11023260	Support Coin Box Atlante500
30	U110.011	Screw Aut.Tcb 2,9X9,5 Din 7981 F
31	12000962	Multigrip Rivets 4.8X11
32	U109.022	Screw Aut.Tcb 4,2X13 Din 7981 C
33	1863.012.050	Compartment Dispenser
34	U019.005	Stei Screw M5,0X10 Uni 5923 Galv.
35	1863.013	Lens For Compartment Dispenser
36	11027722	Cup Support D.83
37	9111.368.050	Variable Cup Support Black
38	1863.023.050	Water Drip Tray
39	1863.024	Stirrup For Compartment Dispenser
40	U110.005	Screw Aut.Tcb 3,9X9,5 Din 7981 F
41	U043.028	Screw Tcbc M3,0X10 Uni 7687 Galv.
42	11023128	Cover Support System Payment
43	NF11.015	Expansion Rivet D=2,8X8 Alu.
44	0875.365	Sup.Coin Box
45	U302.001	Nut Hexagonal M5 Uni 5588
46	12002031	Knob D.18 M5X15
47	12002033	Knob D.18 M5X25

Pos. Code	Description	Note
48	9111.614	Coin Box Anchoring Pin
49	0875.357	Ass.Fixing Plate Coin Box
50	1602.147	Bush For Door Connecting Rod
51	123160302	Nut M3 High Uni 5587 Galvanized
52	11032971	Coin Box Support
53	U207.003	Plain Washer 3,2X7 Uni 6592 Galv.
54	11023127	Payment Systems Cover Atlante500
55	11023263	Cover Reinforce For Payment Systems
56	U310.003	Nut Self Lock.M5 Uni 7473
57	U043.015	Screw Tcbc M5,0X12 Uni 7687 Galv.
58	U324.005	Nut M3 Flanged Indented Base
59	9991.182	Magnet For Door Sg700
60	11012506	Cover Reinforce For Payment Systems
61	11023262	Reinforcement For Coin Box Atlante500
62	11024638	Ass.Support Coin Box
63	11013496	Frontal Plate Support Coin Box
64	1863.058	Left Support Disp.Comp. Black
65	U109.003	Screw Tcb 3,5X9,5 Din 7981 C Nick
66	U109.037	Screw Aut.Tcb 4,8X13 Din 7981 C
67	9111.373	Spring For Disp. Comp. Retaining
68	9111.372.050	Disp. Compartm. Locking Lever Blac
69	9111.371.050	Right Support Disp. Comp. Black
70	11011662	Adjustable Plate
71	11011661	Duct Coin Recovery
72	U046.001	Screw Tefz M5,0X16 Uni 6921 Galv.
73	U207.009	Plain Washer 5,5X15 Uni 6593 Ga
74	11023487	Display Cover Atlante500 Blk
75	11013497	Left Plate Support Coin Box
76	U110.002	Screw Aut.Tcb 3,5X13 Din 7981 F
77	1863.032.A20	Cup Distr. Support
78	1863.033.A20	Cup Distr. Support
79	1863.649	Reed For Door
80	11009693	Sensor Bracket Vain Sg650
81	11023485	Glasses Support Atlante500 Blk
82	9991.093	Magnet D=9,5 X H=1,5
83	11032646	Cup Station'S Door
84	11008661	Door Guide Vain
85	11008670	Bracket For Micro
86	NV01.007	Adhesive Foot
87	11009689	Drip tray Partition
88	129720902	Te Screw M5X10 Uni 5739 Znp
89	11006845	Door Conducting Coins Grey
90	11012507	Movable Plate For Atlante Door
91	12001178	Protect 8,5X15X13 Mod. 30.21.001
92	9111.357.050	Coin Chute Bottom Black
93	11008610	Lower Block Hinge Ass.
94	U046.006	Screw Te M6,0X10 With Washer
95	U046.005	Screw Te M5,0X10 With Washer
96	11012611	Ass.Blank Protection Coin Channel Atlant



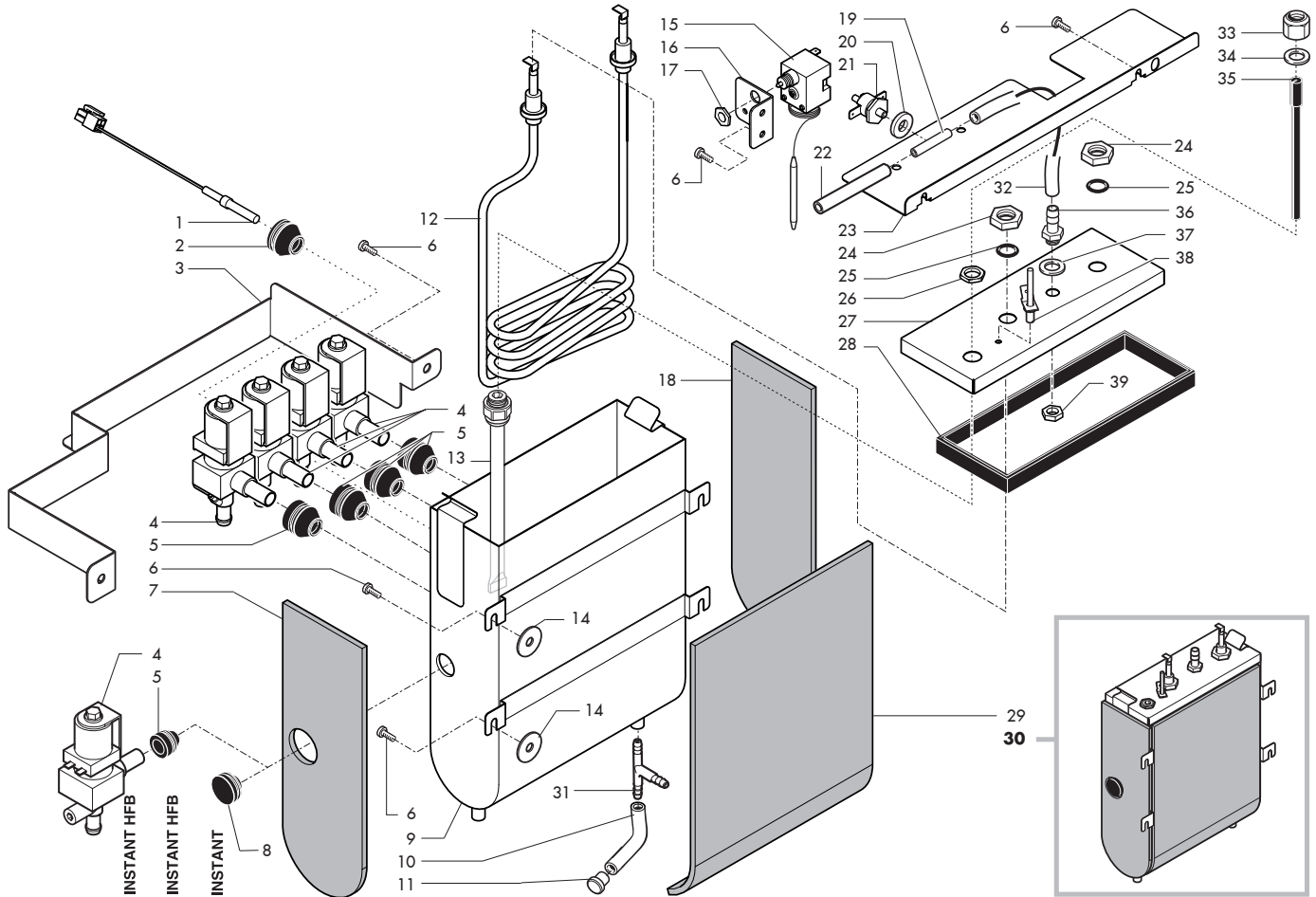
Pos. Code	Description	Note	
1	12001169	Brass Cap 1/8 Gas Conical Tea	
2	129516803	Screw Tcb3,5X19 Din 7981 Nick	
3	20005373	Solenoid X Hs1 11023762	
4	11025301	"Teflon Tube 3X6 L.220 1/8""-1/8"	
5	11025082	"1/8""G M/Conical Orient. Nut/Ogv"	
6	11011470	Block 4 Electrovalve Dc Olab Tea	
7	11033898	Electrovalve Support	
8	NM01.004	Or 2025 Silicone	
9	11011453	Rubber Holder Connector Tea	
10	20005374	Ass.Nucleus 6000Bh/Bodn X 11009225	
11	11031406	Ass.Mixer At1500 Ttt	HFB
11	1863.A10	Ass.Mixer Fs400	
12	9111.507	Tube Grommet For Solenoid Valve	HFB
13	11032608	Soluble Electrovalve 24Vdc Ode	HFB
14	9011.195	Plug For Boiler	instant
15	9972.246	Silicone Tube 5X10 L.2000Mm	
16	U116.005	Screw Aut.Pt Tcb 3,0X8 Wn 1441	
17	U207.004	Plain Washer 4,3X16 Uni 6592 Gal	
18	9111.209.060	Cursor For Spiral Mixer Fixing	
19	9111.211	Spring For Mixer Cursor	
20	9111.643.060	Rapid Fixing Mixer	
21	9111.010.060	Lid For Funnel Brown	
22	9111.011.060	Seal For Funnel Brown	
23	9111.009.060	Funnel For Powders Brown	
24	11011394	Nozzle Ass. Espresso D.3	instant
24	1863.A07	Espresso Nozzle	espresso
25	9111.771.270	Motor Coupling Orange Ral	
26	9121.248.00P	Mixer Motor '05 24V Dc	
27	9111.773.060	Motor Protection Ring	
28	9972.055	Silicone Tube 7X11 L.2000Mm	
29	NV99.072	Hose Clamp D. 11.6/12.3	
30	9111.349	Elbow Dispensing Nozzle	
31	U109.003	Screw Tcb 3,5X9,5 Din 7981 C Nick	only for code 11024167
31	U116.006	Screw Aut.Pt Tcb 3,5X12 Wn 1441 Znp	
32	9111.405.060	Mixer Hole Cap Brown	instant
33	9111.769.150	Mixer Flange	
34	9111.770.060	Cover Mixer Flange	
35	NM03.012	Or Orm 0320-25 Nbr	
36	9111.772.060	Disk Fan	
37	NM05.015	V-Ring Mixer '05	
38	9110.160.06P	Ass.Mixer '05 24V Dc	
39	9111.230.270	Mixer Locking Ring Nut Orange Ral	
40	9111.227.060	Mixer Casing	
41	9110.027.060	Mix Casing Ass.	
42	9111.232.060	Std Tube Holder Sleeve	
42	9111.233.060	Decaff.Tube Holder Sleeve	only decaffeinated coffee
43	9972.057	Silicone Tube 5X8 L.2000Mm	
44	9991.035	Nut 1/8 H 4.5	
45	NV99.036	Hoseclamp D=8,5 09993.41.00	

Pos. Code	Description	Note	
46	11027285	Olab Solenoid Valve 2 Way Dc Tea	
47	NV99.068	""Plastic ""T """"Connector 3 Way """"	HFB
48	U110.003	Screw Aut.Tcb 3,5X9,5 Din 7981 F	
49	20007305	Spare Ev Mobile Core 11023762	
50	11031815	Rx Elbow Dispensing Nozzle	



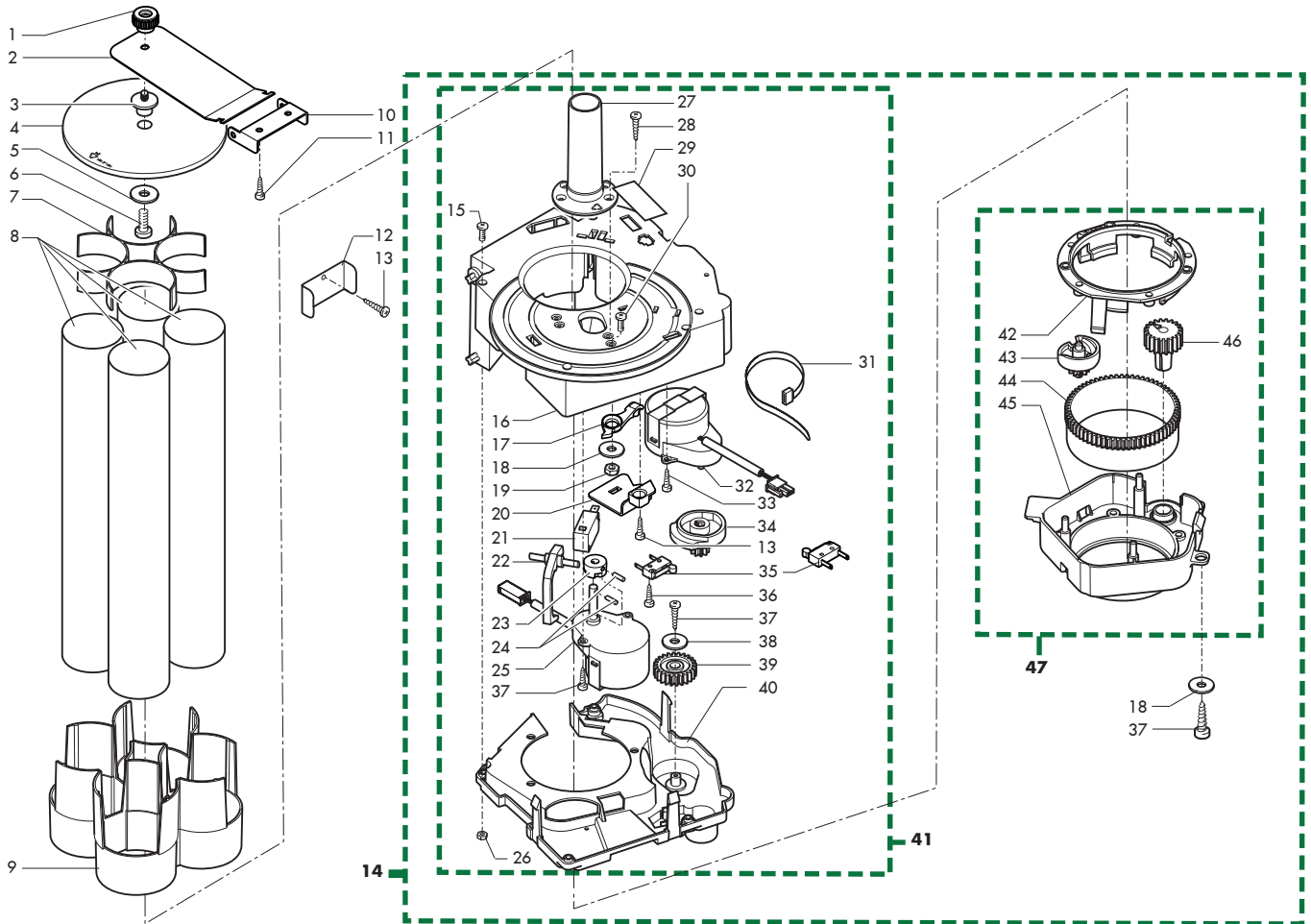
Pos.	Code	Description	Note
1	20006583	Coil Evt Hs2 11012534	up to s.n. 9015ATL0006554
1	20007361	Solenoid Evt Ode	from s.n. 9015ATL0006555
2	20006974	Mobile Nucleus Olab 8000-836	up to s.n. 9015ATL0006554
2	20007362	Spare Core Ev Ode	from s.n. 9015ATL0006555
3	11005368	Immersion Probe Ass.	
4	11025406	Tube Assembly Teflon 3X6 L.250Mm	
5	12001179	Screw Tcei M4,0X12 Uni 5931 8.8 Zin.	
6	20007311	Spare Evt Hs2 11012534	up to s.n. 9015ATL0006554
6	20007370	Spare Evt 11012534	from s.n. 9015ATL0006555
7	9991.029	Nut For Resistor	
8	12001181	Biconical Connect. L M 1/8X06 Tea	
9	11012528	Upper Casing Boiler 600Cc Tea	
10	11000972	Or 3050 Fkm 80 Fd Peroxidica	
11	11005367	Heat Element Boiler 230V 1550W	
12	12000770	Or Orm 4350 Viton	
13	11012529	Lower Casing Boiler 600Cc Tea	
14	11025316	Ass.Boiler Atlante500 Tea 230V	HFB
14	11026694	Hs2 Boiler Atl 650 230V 50Hz Tea	Gran Gusto
14	11030609	Ass.Boiler Atlante500 Tea 230V C.B.	
15	9111.501	Insulation Washer	
16	12002039	Screw Tcbd Torx 20 M4X12 Zn-B	
17	11008250	Boiler Support	
18	11012534	Tea Electrovalve 2/3 Way N.C.	
19	12001052	Screw Tcei M4,0X6 Din 912 Zin	
20	226760100	Retaining Spring 3 Thermostats	
21	9991.085	Thermostat Fixing Washer	
22	NE09.021	Thermostat 150°Nc Faston 90°	
23	U023.020	Screw Tcei M6X20 Uni 5931 Zin	
24	U302.004	Nut Hexagonal M6 Uni 5588	
25	11027089	Water Inlet Connector	
26	11005743	Knurled Female Hand Bolt M14	
27	11005741	Connector D.6	
28	U109.037	Screw Aut.Tcb 4,8X13 Din 7981 C	
29	140321462	O-Ring 2018 Silicone	
30	11005370	Pin For Muff	
31	11013173	Or Orm 0090-20 Fkm 80 Fd Green Peroxida	
32	U324.003	Nut M5 Flanged Indented Base	
33	U302.003	Galv.Nut Hexagonal M4 Uni 5589 Zn	
34	11013174	Or Orm 0050-20 Fkm 80 Fd Green Peroxida	
35	11006046	Peg For Boiler	
36	U044.013	Screw Tspc M4,0X12 Uni 7688 Galv.	
37	U043.007	Screw Tcbc M3,0X8 Uni 7687 Galv.	
38	U208.002	Toothed Washer 3,3X5,8 Uni 3703 G	
39	11027723	Ring Nut Of Grind Regulation	HFB
39	1813.103.A20	Ring Nut Of Grind Regulation	
40	U701.011	Steel Snap Ring 5 Uni 7434	
41	1813.046.050	Rubber Grind Support	
42	1813.045.A20	Grind Support	
43	1813.097.A20	Spacer	

Pos.	Code	Description	Note
44	1813.177	Support Seal	
45	12002052	Zn-B Tcb Screw M4X16	
46	U203.001	Plain Washer 4,3X8 Uni 1749 Gal	
47	9141.003	Spacer For Rubber	
48	9991.005	Rubber For Coffee Grinder	
49	9140.001.00A	Coffegrinder Motor Ass.220/230V	
50	20007310	Spare Evt Hs2 11012534	up to s.n. 9015ATL0006554
50	20007363	Spare Evt Ode	from s.n. 9015ATL0006555
51	9141.008	Knob Adjustment Screw	
52	140321560	O-Ring 3187 Nbr	
53	9141.081	Flat Mill D.43 Titanium	
54	9141.001	Brass Ncrement Screw Mc	
55	9141.007	Fan	
56	9140.002.00A	Motor Ass.With Cap 230V	
57	0701.R34	Motor Brush	
58	1813.159	Antivibration Rubber	
59	1813.104.A20	Adjustment Screw With Tube Holder	
60	U044.022	Screw Tspc M5,0X8 Uni 7688 Galv.	
61	9141.005	Knob Pin	
62	126769118	Spring For Knob Stop Pin (H=19)	
63	11007285	Ass.Ratiomotor Fresh Brew 230V	HFB
63	11025216	Ass.Ratiomotor For Da 230V Fs400	
63	11025217	Ass.Ratiomotor For Da 220/60 Fs400	
64	U116.006	Screw Aut.Pt Tcb 3,5X12 Wn 1441 Znp	
65	11003525	Cam Coffee Group Fresh Brew	HFB
65	9991.037	Cam For Ratiomotor 1 Micro	
66	128310404	Washer Uni 8842 A4 Burnished	
67	129824002	Tcb Screw M4X10 Uni 7687 Znp	
68	U302.002	Nut Hexagonal M3 Uni 5588	
69	NE05.066	Microswitch Cherry D419Q1A	
70	9991.014	Card For Micro Switches	
71	11032817	Ratiomotor 30 Pack 230/240-50	
71	11032819	Ratiomotor 30 Pack 220/60	
72	129825502	Tcb Screw M4X25 Uni 7687 Znp	
73	11014251	Central Unit Motor Steel Carter	
74	129511903	Screw Tcb 2,9X6,4 Din 7981 Bz Nick	
75	U034.003	Screw Tci M3,0X20 Uni 6107 Galv.	
76	11003524	Plate For Micro Ratiomotor	HFB
76	9991.015	Plate For Micro	
77	9991.013	Joint For Ratiomotor	
78	U207.002	Plain Washer 4,3X9 Uni 6592 Gal	
79	11026301	Doser Ass. 6-11 Gr. 220V	2 M sx
79	11028667	Doser Ass. 6-11 Gr. Lx 220V P&G	2 M sx
79	1813.A10.A2A	Doser Ass. 6-11 Gr.	dx
79	1813.A10.A2N	Doser Ass. 6-11 Gr. 220V 60Hz	
80	12002051	Screw Tcb Torx 20 M4X6 Zn-B	
81	1813.042.A20	Dispenser Pallet	
82	9121.235.00A	Electromagnet For Dispenser With Nucleus	
82	9121.235.00N	Electromagnet X Dispenser W/Nucleus 220V	

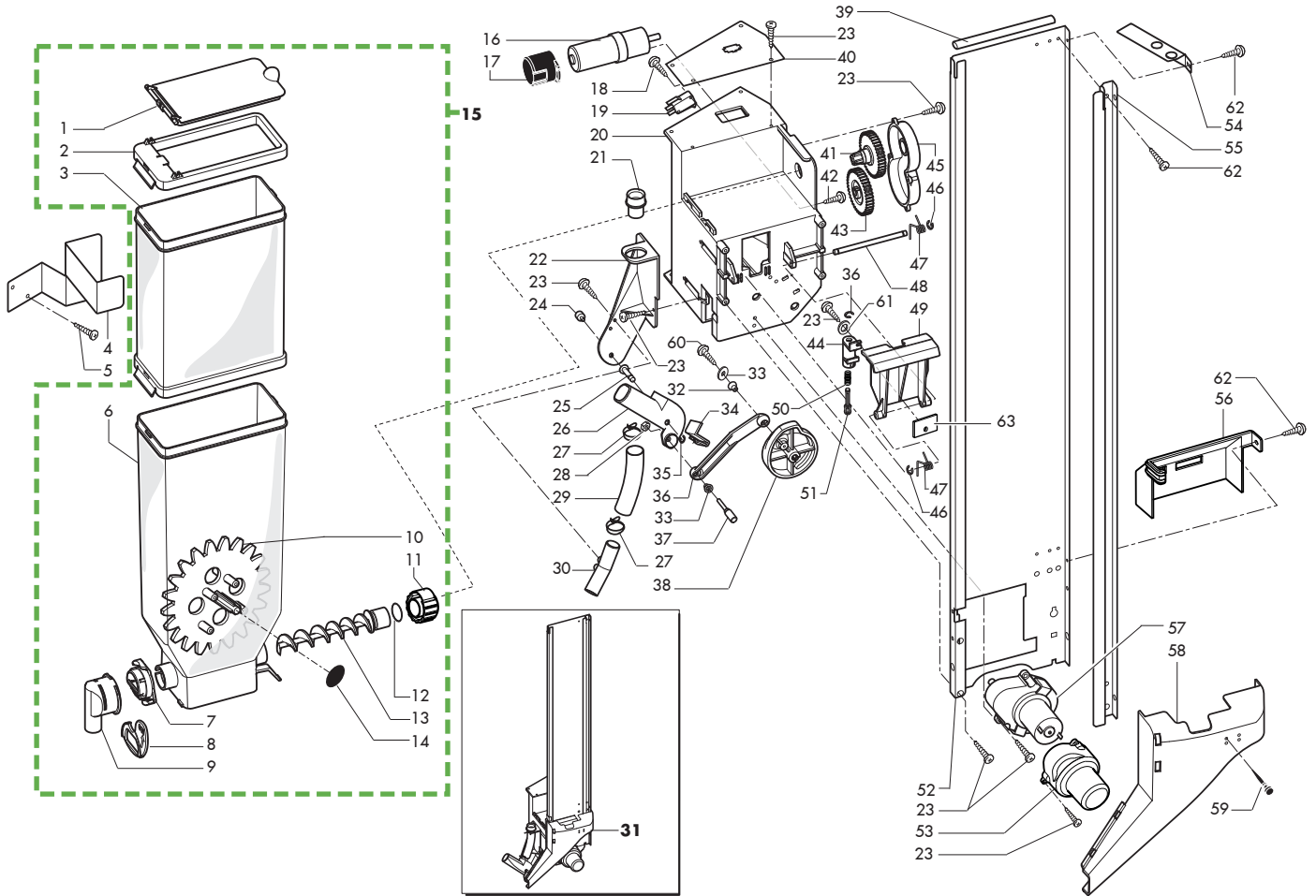


Pos. Code	Description	Note	
1	NE13.065	Solubles Probe Ass.	
2	9011.210	Tube Grommet Immersion Probe D6	
3	11023452	Omega Fixing For Solubles Electrovalve	
4	11032608	Soluble Electrovalve 24Vdc Ode	
5	9111.507	Tube Grommet For Solenoid Valve	
6	U127.011	Screw Tapt.Tcb M5,0X8 Din 7500C	
7	11023468	Side Steam Boiler Isolator	
8	9011.195	Plug For Boiler	instant
9	11032605	Boiler Atlante500	
10	9972.313	Silicone Tube 7X11 L.170Mm	all except HFB
11	NV03.006	Cap Kapsto Lpn 615/010	all except HFB
12	11023475	Heat Element Boiler 230V 2160W	
13	9110.068	Ass.Tube For Limiter	
14	1843.018	Insulator For Boiler Support	
15	NE09.035	Limiter Ty95H	
16	9111.598	Support	
17	NV99.093	Nut	
18	11009951	Side Boiler Isolator	
19	0871.164	Tube For Thermostat	
20	NV99.071	Plain Washer 5,5X12 In Copper	
21	NE09.029	Unipolar Thermostat Manual Reset	
22	9972.226	Silicone Tube 7X11 L.90Mm	
23	11023453	Separator Boiler Atlante500	
24	9991.029	Nut For Resistor	
25	11000972	Or 3050 Fkm 80 Fd Peroxidica	
26	WGAND01/016	"1/4"" Gas Nut"	
27	11023472	Boiler Lid	
28	11023473	Boiler Seal Solubles Atlante500	
29	11023474	Back Steam Boiler Isolator Atlante500	
30	11023467	Ass.Boiler 230V Atlante500	instant
30	11031408	Ass.Boiler 230V Ati500 Ttt	HFB
31	NV99.004	Connector T Moroni 8026047 D=8	HFB
32	9972.141	Silicone Tube 7X11 L.160Mm	
33	9181.135	Nut 1/4 Tube D.8 Profi	
34	U207.005	Plain Washer 6,4X11 Uni 6592 Gal	
35	1812.070	Rubber	
36	0871.141	Male Rubber Holder Cyl. D.9	
37	0871.140	Copper Washer	
38	12002060	Rivet Ground One Terminal 1000071	
39	0871.139	Hexagonal Nut Ch.14 1/8"" Gas""	

Pos. Code	Description	Note
-----------	-------------	------

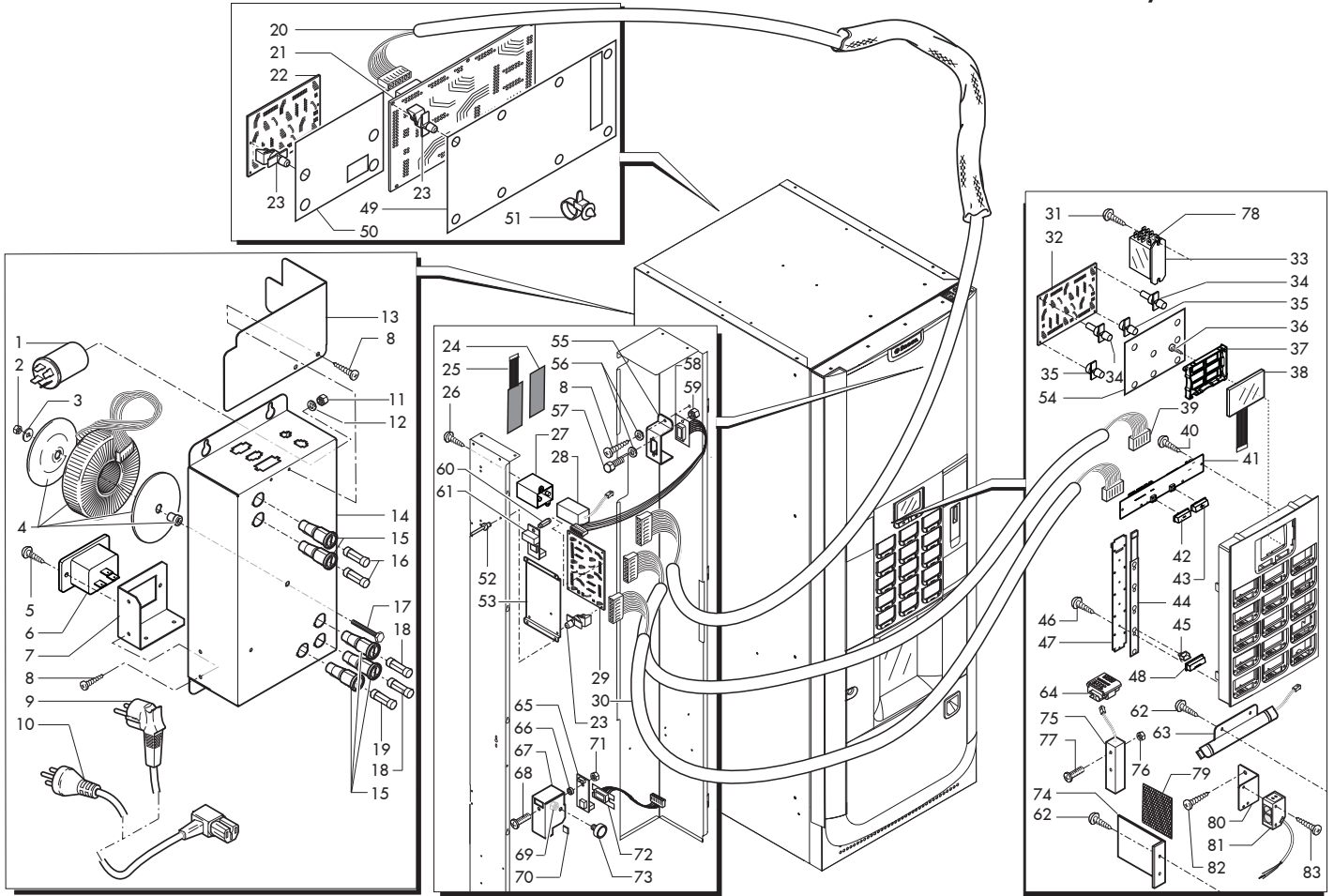


Pos. Code	Description	Note	Pos. Code	Description	Note
1	12002034 Knob With Bush M5				
2	11009678 Basket Stop Plate Sg650				
3	11010585 Central Pin For Cup Column				
4	11028032 Tank Lid Glasses				
5	U207.009 Plain Washer 5,5X15 Uni 6593 Ga				
6	U043.021 Screw Tcbc M5,0X8 Uni 7687 Galv.				
7	11005072 Cup Tube Fixing Spring				
8	11001422 Tube Pvc 80X1.5 L=705				
9	11000976 Tank Drinks				
10	11009680 Basket Stop Bracket Sg650				
11	U109.003 Screw Tcb 3,5X9,5 Din 7981 C Nick				
12	1813.162 Bracket Stop Dispencer				
13	U109.018 Screw Aut.Tcb 3,5X6,5 Din 7981 C				
14	11023434 Dispenser Assmly 4 Columns				
15	U034.001 Screw Tci M3,0X30 Uni 6107 Galv.				
16	11000785 Upper Casing Dispenser Glasses				
17	11007352 Lever				
18	U212.006 Washer 3,2X11X0,5 Znp				
19	U310.001 Galv.Self Lock. Nut M3 Uni 7473				
20	11007356 Micro Cover				
21	NE05.065 Microswitch Cherry D41Rq3Aa				
22	1813.067.A20 Lever				
23	11007353 Cam				
24	11009494 Brass For Motor Saia Uds1 Cod.416616310				
25	11009493 Motor Saia Uds1Ud5M75Can3Kz286				
26	U324.005 Nut M3 Flanged Indented Base				
27	11000642 Tube For Basket Glasses				
28	U111.008 Nick.Screw Aut.Tsp 3,5X9,5 Din 7982 C				
29	11001467 Adhesive Label Pvc 54X30 Mm				
30	129852821 Tsp Screw M3X14 Uni 7688 Ss				
31	144320200 Self Lock Strip W=2.6 L=200				
32	9121.226.00A Motor Saia Uds 5 Rpm 220V				
33	U109.005 Screw Aut.Tcb 3,5X16 Din 7981 C				
34	1863.066.A20 Disengage Cam Glasses				
35	NE05.064 Microswitch Saia V4Nc				
36	129510503 Screw Tcb 2,2X12,7 Din 7981 Nick				
37	U116.005 Screw Aut.Pt Tcb 3,0X8 Wn 1441				
38	U201.001 Plain Washer 3,2X9 Din 7349 Galv.				
39	1813.068.A20 Toothed Wheel				
40	1813.062.A20 Lower Casing Dispenser Glasses				
41	11023435 Ass.Dispenser 4 Columns				
42	11000786 Retaining Ring				
43	1813.072.A20 Snail For Glasses D.70				
44	1813.073.A20 Toothed Wheel For Snail				
45	11000833 Snail Support				
46	1813.074.A20 Toothed Wheel				
47	11000835 Ass.Snail Support				



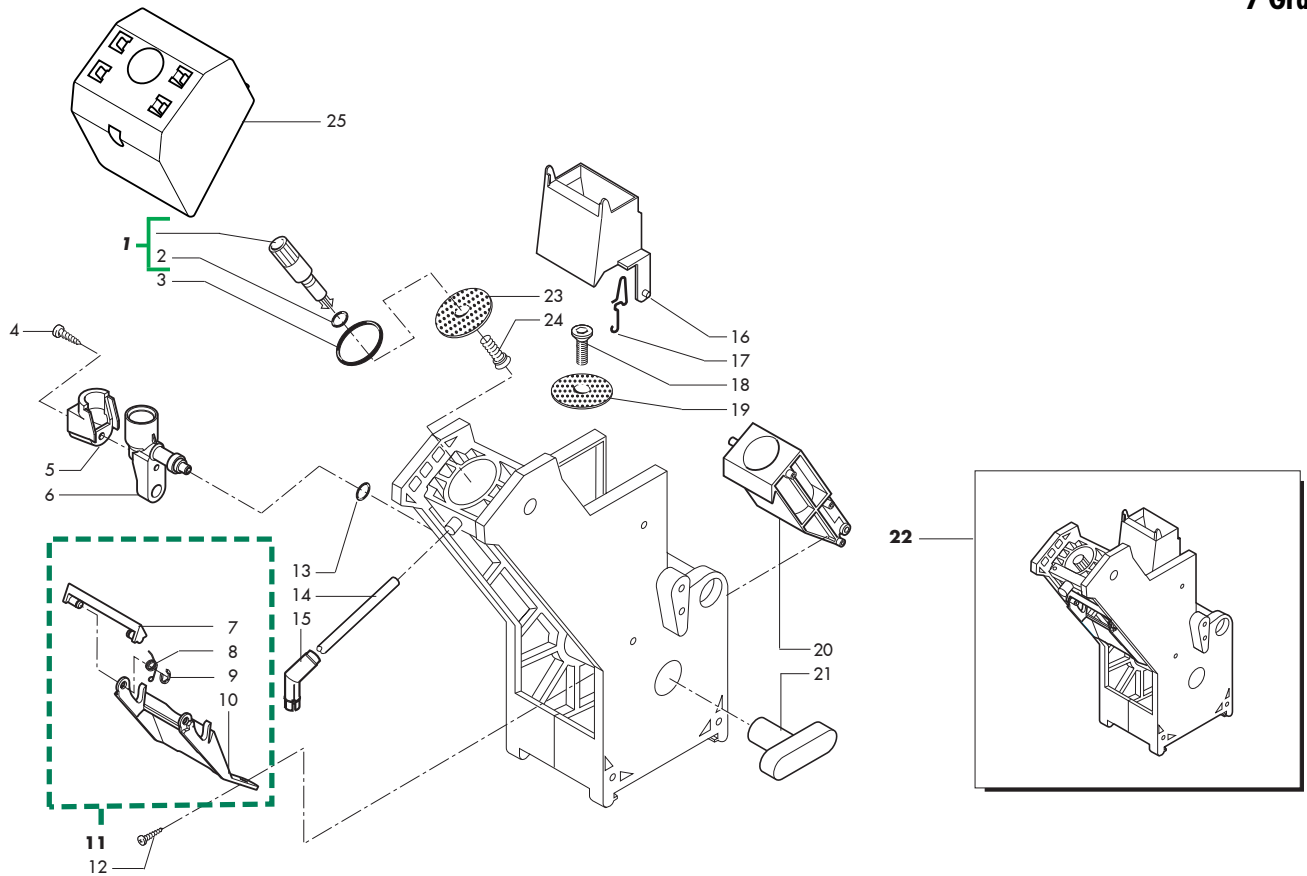
Pos.	Code	Description	Note
1	9111.683	Soluble Cover	
2	9111.696	Cover Sugar Container	
3	11004610	Extension For Container Sugar	
4	11009957	Plate Stop Container Sugar Sg650	Led
4	11023450	Plate Stop Container Sugar Atlante500	Neon
5	U109.003	Screw Tcb 3,5X9,5 Din 7981 C Nick	
6	9111.685	Sugar Container	
7	9111.630.060	Bush For Powders Tank	
8	9111.338.270	Bulkhead For Apert. Closure Orange	
9	9111.629.060	Aperture For Solubles Hopper	
10	11032878	Container Wheel Sugar Bpa Free	
11	11012130	Back Bush Reinforce	
12	NM03.013	Or 2,3X15 Nbr	
13	9111.726	Scroll Screw Sugar Container	
14	9111.646	Adhesive For Tank	
15	11005129	Assembly Sugar Container	only vers. espresso
16	9121.106.00P	Sugar Ratiomotor 24V Dc	only vers. espresso
17	9121.155	Hood For Ratiomotor	only vers. espresso
18	U110.007	Screw Aut.Tcb 2,9X16 Din 7981 F Znp	
19	NE05.002	Microswitch	
20	11033196	Support Stirrer	from s.n. 9015ATL0007154
20	9111.684.A20	Support Stirrer	up to s.n.9015ATL0007153
21	9111.699	Aperture Sugar Tube	only vers. espresso
22	9111.686.A20	Support Sugar Conveyor	only vers. espresso
23	U116.006	Screw Aut.Pt Tcb 3,5X12 Wn 1441 Znp	
24	11000388	Knob M3 Sugar Conveyor	only vers. espresso
25	11000389	Grained Pivot Sugar Coveyer	only vers. espresso
26	9111.690	Sugar Conveyor	only vers. espresso
27	9111.553	Self-Energizing Spring For Tube D.2	only vers. espresso
28	123160302	Nut M3 High Uni 5587 Galvanized	only vers. espresso
29	9111.700	Sugar Tube	only vers. espresso
30	9111.697	Connector Sugar Tube	only vers. espresso
31	11009170	Ass.Sugar/Spoons Dispender 24Vdc Sg650	only espresso
31	11010382	Stirrer Dispenser Ass. Sg650 Instant	up to s.n.9015ATL0007153
31	11033211	Sugar/Spoons Dispender 24Vdc 25Rpm	only instant
31	11033214	Stirrer Dispenser Atl700 Instant 25Rpm	up to s.n.9015ATL0007153
32	9111.705	Spherical Pin	only espresso
33	U201.001	Plain Washer 3,2X9 Din 7349 Galv.	
34	9111.727	Bulkhead Sugar Conveyor	only vers. espresso
35	U701.011	Steel Snap Ring 5 Uni 7434	
36	9111.691	Connecting Rod Sugar Dispencer	only vers. espresso
37	11004295	Knob For Sugar Connecting Rod Pipe	only vers. espresso
38	11008685	Sugar Cam	
39	9111.668	Stirrer Disp.Counterweight D.10	
39	9111.669	Stirrer Disp.Counterweight D.10	

Pos.	Code	Description	Note
39	9111.745	Stirrer Disp.Counterweight	
40	9111.707	Reinforcing Plate	
41	9111.694	Joint With Gear	only vers. espresso
42	U116.005	Screw Aut.Pt Tcb 3,0X8 Wn 1441	only vers. espresso
43	9111.695	Gear Z40	only vers. espresso
44	9111.737	Support	
45	9111.687.A20	Gear Cover	
46	U701.006	Snap Ring 3,2 Uni 7434	
47	9111.730	Spring	
48	9111.376	Pin For Stirrer Expeller	
49	11011240	Stirrer Expeller Black New	
50	11031341	Spring	
51	11002209	Pin	
52	11009171	Stirrer Guide Adjustable 90-115 Sg650	
53	11025411	Cristallo Spoon'S Motor Cover	
54	11009172	Bracket For Stirrer Guide Sg650	
55	11009139	Stirrer Guide Sg650	
56	11007444	Carter	
57	11025284	Motoriduttore Fiber 37Rpm	up to s.n.9015ATL0007153
57	11033191	Gearmotor Mechtex 25 Rpm	from s.n. 9015ATL0007154
58	9111.698.A20	Stirrer Slide	
59	9161.082	Rubber Coupler	Only stirrer disp. 90
60	U116.004	Screw Aut.Pt Tcb 3,0X16 Wn 1441	
61	U207.003	Plain Washer 3,2X7 Uni 6592 Galv.	
62	U110.004	Screw Aut.Tcb 3,5X6,5 Din 7981 F	
63	11025089	Plate Reinforcement	



Pos.	Code	Description	Note
1	184651500	Locking Screw Antidisturb Filter 16A	
2	U310.004	Nut Self Lock.M6 Uni 7473	
3	U207.013	Plain Washer 6.5X18 Uni 6592 Galv	
4	NE19.028	Toroidal Transformer Fs 400	
5	U111.008	Nick.Screw Aut.Tsp 3,5X9,5 Din 7982 C	
6	NE13.013	Cup Socket En 60320 C 13	(BR)
7	NE13.055	Cup Socket 16A	
8	11008833	Power Connector Support	
9	11029521	Power Connector Support	(BR)
10	U110.003	Screw Aut.Tcb 3,5X9,5 Din 7981 F	
11	NE01.101	Cable Schuko 16A En 60320 C19	
12	11012105	Cable Aus + Plug En60320 C19	
13	11012275	Cable Ra + Plug En60320 C19	
14	17800330	Black Power Cable Brazil L=1200	
15	U302.007	Nut Hexagonal M8 Uni 5588	
16	U208.009	Toothed Washer 8,4X15 Uni 3703	
17	11009894	Safety Plate For Connector	
18	11008832	Cpu For Trasformer	
19	NE13.016	Fuse Holder With Screw On Cap	
20	12001112	Fuse 6,3X32 T 12A	
21	U005.013	Screw Te M6,0X70 Uni 5739 Galv.	
22	NE13.091	Fuse T 4A 6.3X32	
23	NE13.043	Fuse 6,3X32 6,3A 250V Delayed	
24	11009599	Harness Sg650	
25	11008856	Sg650 Power Board	
26	11008857	Sg650 Triac Board	
27	9111.402	Spacer For Card	
28	0875.990	Touch Panel Plate	
29	0875.741	Touch Panel	
30	U116.005	Screw Aut.Pt Tcb 3,0X8 Wn 1441	
31	9991.140.050	Impulsecounterholder Keisu Gx-06R	
32	NE13.025.00P	Impulse Counter Keisu Gx-06R 24V	
33	11009638	Cpu+Sw As.Atlante650	
34	11009751	26 Poles Flat Cable For Push Button	
35	U110.010	Screw Aut.Tcb 2,9X6,5 Din 7981 F	
36	11010015	Power Supply Board P124 230V	
37	11030270	Atlante Led Power Supply	Neon Led
38	12001124	Relay Finder 056.26	
39	12001216	Spacer Richco Lcbs-3-01	
40	12001217	Spacer Richco Ps-3-01	
41	U116.003	Screw Aut.Pt Tcb 3,0X12 Wn 1441	
42	149202400	Display Support Smart Digital	
43	11011605	Electronic Board Graph Display Sg650	
44	11009750	24 Poles Flat Cable For Display	
45	U116.006	Screw Aut.Pt Tcb 3,5X12 Wn 1441 Znp	
46	11024064	Interface Board For Display Atlante500	
47	11032623	Display Push Button (-)	
48	11032622	Display Push Button (+)	
49	11032131	Membrane Keyboard Atl700 One Led Strip	

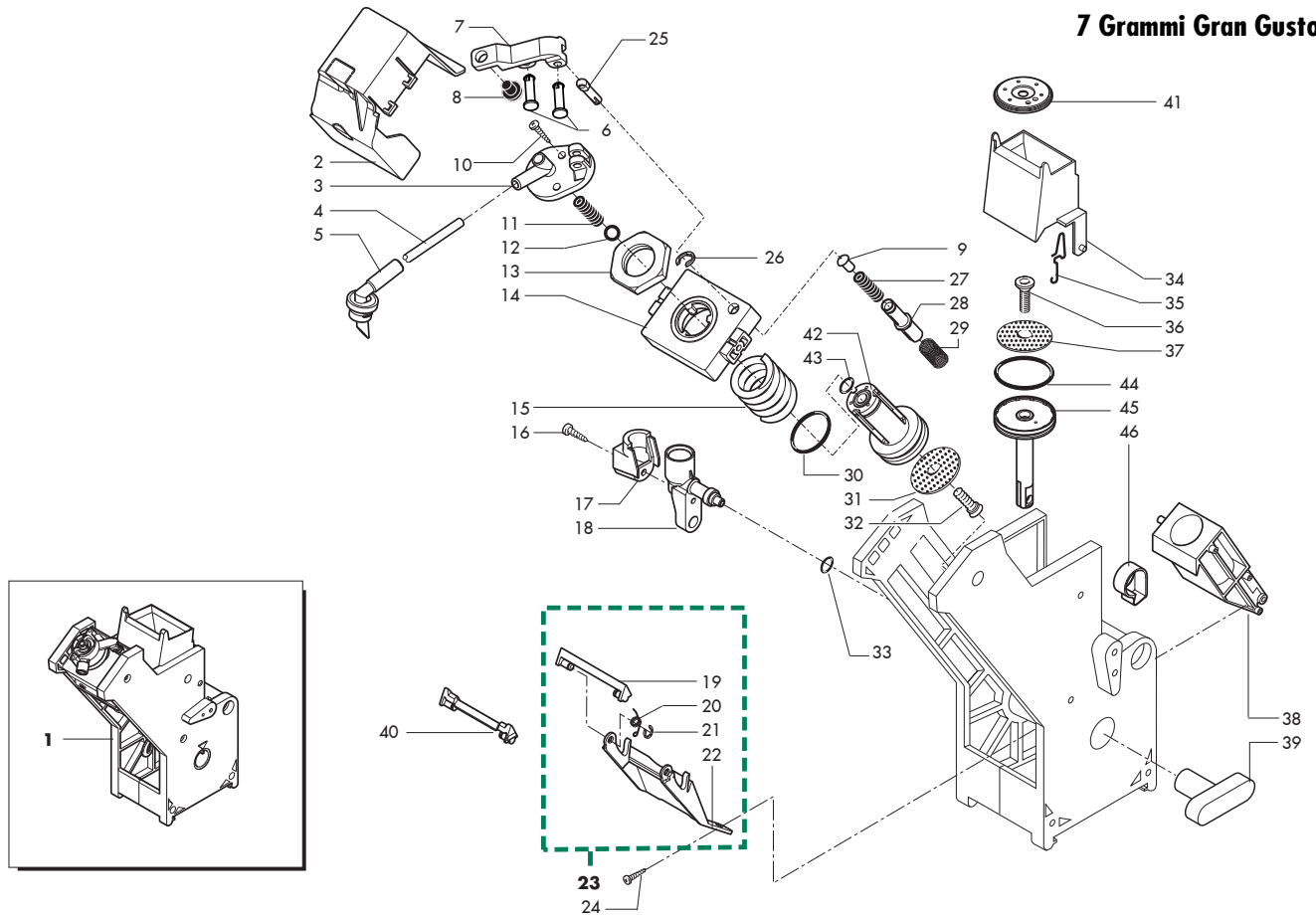
Pos.	Code	Description	Note
45	11008630	Push Button Actuator	
46	129670302	Tcb Panelvit Screw 2,9X9,5 Tes.D=7,5 Znp	
47	11031994	Sg650 Led Board (One Led Stripe)	
48	11008623	Push Button	
49	11009896	Card Protection Sg650	
50	11009897	Card Protection Boiler Sg650	
51	NF11.043	Clip With Hook	
52	12000962	Multigrip Rivets 4.8X11	
53	11023454	Cpu Card Support Atlante500	
54	11012747	Card Protection Led Atlante	
55	11001452	Clamp Support Connector X Fs400	
56	128140521	Washer 3,2X6 Uni 6592 Ss	
57	12000141	Space For Kit Eva Dts 304308040050	
58	2066.602	Cavo Seriale Rs 232 X Eva Dts	
59	U302.002	Nut Hexagonal M3 Uni 5588	
60	12000147	Spacer Richco Dlsp1-14M-01	
61	2066.601	Ttl-Rs232 Adapter Board	
62	U109.011	Screw Aut.Tcb 3,9X9,5 Din 7981 C	
63	11023437	Ass.Led Support Atlante	
64	NE13.099	Clamp	
65	2067.601	Adattatore Infrarossi	
66	NE18.022	Spacer Richco Ss08-07.5 Mm	
67	11031252	Irda Card Support	
68	U043.006	Screw Tcbc M4,0X14 Uni 7687 Galv.	
69	U324.003	Nut M5 Flanged Indented Base	
70	NV01.007	Adhesive Foot	
71	NF11.047	Nut M4 H.4.5 In Plastic	
72	11031300	Flat Cable	
73	9991.206	Magnet D.13 H.4.5 M5 Male	
74	11013811	Adhesive Support	from s.n. 9016ATL0007456
75	11014052	Plate Reflecting Atlante	up to s.n.9016ATL0007455
76	11013812	Sensor	up to s.n.9016ATL0007455
77	U324.006	Nut M4 Flanged Indented Base	up to s.n.9016ATL0007455
78	129825502	Tcb Screw M4X25 Uni 7687 Znp	up to s.n.9016ATL0007455
79	1484.605	Power Relay 12A	
80	11013813	Reflecting Adhesive For Sensor	from s.n. 9016ATL0007456
81	0875.222	Disp.Compartm.Micro Support	from s.n. 9016ATL0007456
82	11032543	Qm Series Photoelectric Sensor	from s.n. 9016ATL0007456
83	U110.004	Screw Aut.Tcb 3,5X6,5 Din 7981 F	from s.n. 9016ATL0007456
84	U110.007	Screw Aut.Tcb 2,9X16 Din 7981 F Znp	from s.n. 9016ATL0007456



Pos. Code	Description	Note
1	9169.A14.060 Pin For Percolator Brown	
2	NM02.006 Or R5 Termoil	
3	140322061 O-Ring 4112 Epdm	
4	129512921 Screw Tcb Torx 10 Ab 2,9X13 Sheet Ss	
5	11010013 Carter For Muff Preheating Unit	
6	11005371 Unit Coffee Muff	
7	9111.537.060 Brown Scraper Coffee Group	
8	9111.520 Spring For Scraper Section 0,6	
9	U701.006 Snap Ring 3,2 Uni 7434	
10	9111.539.060 Fork For Scraper	
11	9110.067.060 Scraper Ass.For Cappuccinat. Tube	
12	U110.013 Screw Aut.Tcb 3,9X6,5 Din 7981 F	
13	140321462 O-Ring 2018 Silicone	
14	9972.057 Silicone Tube 5X8 L.2000Mm	
15	9111.349 Elbow Dispensing Nozzle	
16	322001201 Mobile Scraper Brown Narrow	
17	9161.425 Spring For Scraper	
18	129851921 Tsp Screw M3X6 Uni 7688 Ss	
19	324000200 Ss Percolator D=34 For Unit	
20	222711101 Brown Ground Coff.Container D=36 Assy.	
21	9161.021.060 Key For Brew Unit Brown	
22	11023330 Brew Unit 7 Grams Cristallo600	
23	11012630 Percolator D.34	
24	129852821 Tsp Screw M3X14 Uni 7688 Ss	
25	11013053 Carter For Doser Unit	

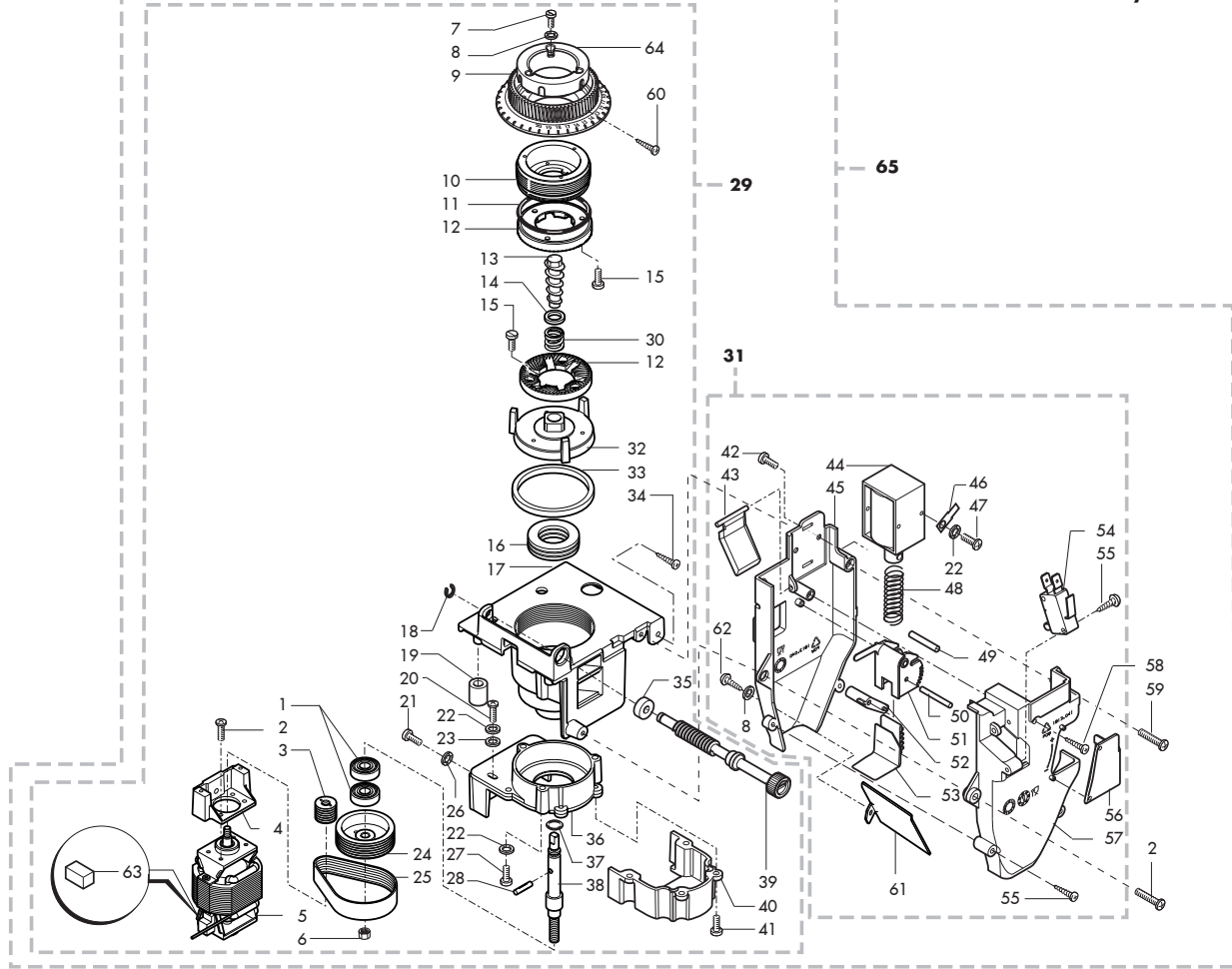
Pos. Code	Description	Note

7 Grammi Gran Gusto



Pos.	Code	Description	Note
1	11030408	Coffee Group 6/8Gr New	
2	11029737	Protection Valve	
3	11029311	Cover Ball Valve	
4	9972.345	Silicone Tube 3,5X9 L.340Mm	
5	11033574	Coffee Nozzles	
6	11030836	Pin Fixing Valve Support	
7	11029312	Breather Valve Closed	
8	NV01.009	Rubber Buffer	
9	9161.320	Valve For Unit	
10	U109.006	Screw Aut.Tcb 2,2X9,5 Din 7981 C	
11	126771918	Ss Coffee Unit Conterpiston Spring Smart	
12	12001811	Sphere Teflon D.4,5	
13	11029317	Nut Seal Piston Movable	
14	11029316	Flange For Cupholder	
15	11029308	Spring For Movable Counterpiston	
16	129512921	Screw Tcb Torx 10 Ab 2,9X13 Sheet Ss	
17	11010013	Carter For Muff Preheating Unit	
18	11005371	Unit Coffee Muff	
19	9111.537.060	Brown Scraper Coffee Group	
20	9111.520	Spring For Scraper Section 0.6	
21	U701.006	Snap Ring 3,2 Uni 7434	
22	9111.539.060	Fork For Scraper	
23	9110.067.060	Scraper Ass.For Cappuccinat. Tube	
24	U110.013	Screw Aut.Tcb 3,9X6,5 Din 7981 F	
25	11029313	Cursor Compensator Valve Vent	
26	U701.007	Snap Ring 6 Uni 7434	
27	11029310	Spring For Relief Valve	
28	11029314	Cursor For Valve Vent	
29	11029309	Spring For Relief Valve	
30	140322061	O-Ring 4112 Epdm	
31	11012630	Percolator D.34	
32	U044.009	Ss Screw Tspc M3,0X8 Uni 7688	
33	140321462	O-Ring 2018 Silicone	
34	322001201	Mobile Scraper Brown Narrow	
35	9161.425	Spring For Scraper	
36	129851921	Tsp Screw M3X6 Uni 7688 Ss	
37	324000200	Ss Percolator D=34 For Unit	
38	222711101	Brown Ground Coff.Container D=36 Assy.	
39	9161.021.060	Key For Brew Unit Brown	
40	11012957	Scraper For Coffee Unit 7-9Gr.	6 grams
41	11030122	Space	6 grams
42	11029878	Ass.Conterpistone Mobile	
43	NM01.029	Or Orm 0100-15 Silicone	
44	140322500	O-Ring 2118 Nitril Rubber	
45	11029879	Ass.Pistone X Gruppo Caffè	
46	11030309	Ring For Cam	

Pos.	Code	Description	Note
------	------	-------------	------



Pos. Code	Description	Note
1	11025696 Bearing Rtp 608-2Z	
2	12002039 Screw Tcbd Torx 20 M4X12 Zn-B	
3	11025690 "Pulley D.15 ""Grind 48""	
4	11027163 Motor Support Grinders D.48	
5	11027396 Coffeegrinder Motor D.48 230V	
6	U310.004 Nut Self Lock.M6 Uni 7473	
7	U043.023 Screw Tbc M3,0X18 Uni 7687 Galv.	
8	U208.002 Toothed Washer 3,3X5,8 Uni 3703 G	
9	11027723 Ring Nut Of Grind Regulation	HFB
9	1813.103.A20 Ring Nut Of Grind Regulation	
10	11025692 "Upper Grinding Disk Holder ""Grind 48""	
11	12001617 Or 3206 Nbr	
12	11021838 Flat Mill D.43 Tea	
13	11025695 "Increase Screw ""Grind 48""	
14	11027418 Spacer For Screw Of Increase	
15	U043.007 Screw Tbc M3,0X8 Uni 7687 Galv.	
16	11025699 Bearing Rtp 51104	
17	11027162 Grinders Cap D.48	
18	U701.011 Steel Snap Ring 5 Uni 7434	
19	1813.046.050 Rubber Grind Support	
20	12002052 Zn-B Tcb Screw M4X16	
21	U023.004 Screw Tcei M6,0X12 Uni 5931 Galv.	
22	128310404 Washer Uni 8842 A4 Burnished	
23	U207.004 Plain Washer 4,3X16 Uni 6592 Gal	
24	11025689 "Pulley D.40 ""Grind 48""	
25	11032130 Belt Grinder Coffee	
26	U208.006 Toothed Washer 6,4X11 Uni 3703	
27	12001700 Screw Tcb M4X30 Uni 7687 Znp	
28	11025921 Power Plug Uni-En 28743 D.3X14	
29	11027165 Coffee Grinder D.48	Gran Gusto
29	11031412 Coffee Grinder D.48 Ttt	HFB
30	11025694 "Spring ""Grind 48""	
31	11026301 Doser Ass. 6-11 Gr. 220V	2 M sx
31	1813.A10.A2A Doser Ass. 6-11 Gr.	dx
32	11025691 "Lower Grinding Disk Holder ""Grind 48""	
33	11027451 Felt Ring De=47,4 Di=41,4H=4	
34	U116.006 Screw Aut.Pt Tcb 3,5X12 Wn 1441 Znp	
35	1813.159 Antivibration Rubber	
36	11027164 Motor Support Grinders D.48	
37	140321662 O-Ring 2021 Silicone	
38	11025693 "Central Pin ""Grind 48""	
39	1813.104.A20 Adjustment Screw With Tube Holder	
40	11027186 Shell Closure Belt	
41	U127.010 Screw Tapt.Tcb M4,0X10 Din 7500C	
42	12002151 Tsp Screw M3X4 Uni 7688 Ss	
43	1813.042.A20 Dispenser Pallet	
44	9121.235.00A Electromagnet For Dispenser With Nucleus	
45	11026302 Dispenser Shell	2 M sx
45	1813.040.A20 Dispenser Shell	

Pos. Code	Description	Note
46	NE15.003 Male Tongue Plain 6,3 D.5.2	
47	129821402 Tcb Screw M3X4 Uni 7687 Znp	
48	1813.127 Spring For Electromagnet	
49	1813.092 Pin	
50	1813.091 Pin For Dispenser Regulation	
51	1813.043.A20 Dispenser Regulation	
52	1813.078.A20 Adjustment Lever	
53	1813.044.A20 Pallet For Regulation	
54	NE05.062 Microswitch + Wheel	
55	U116.004 Screw Aut.Pt Tcb 3,0X16 Wn 1441	
56	1813.191.A20 Dispenser Cover	
57	11026303 Outside Shell Dispenser	2 M sx
57	1813.041.A20 Outside Shell Dispenser	
58	12000390 Screw Aut.Tcb 2,9X25 Din 7981 C Nik	
59	129825502 Tcb Screw M4X25 Uni 7687 Znp	
60	U109.004 Screw Aut.Tcb 4,8X9,5 Din 7981 C	2 M sx
61	11026304 Tube Conveyor Coffee Lx Atl650	
62	129511903 Screw Tcb 2,9X6,4 Din 7981 Bz Nick	
63	20007420 Motor Brush	
64	11032110 Bush	
65	11027395 Coffee Grinder D.48 + Dispenser	HFB
65	11031411 Coffee Grinder D.48 + Dispenser	
65	11032637 Coffee Grinder D.48+Dispenser Lx 220/60	