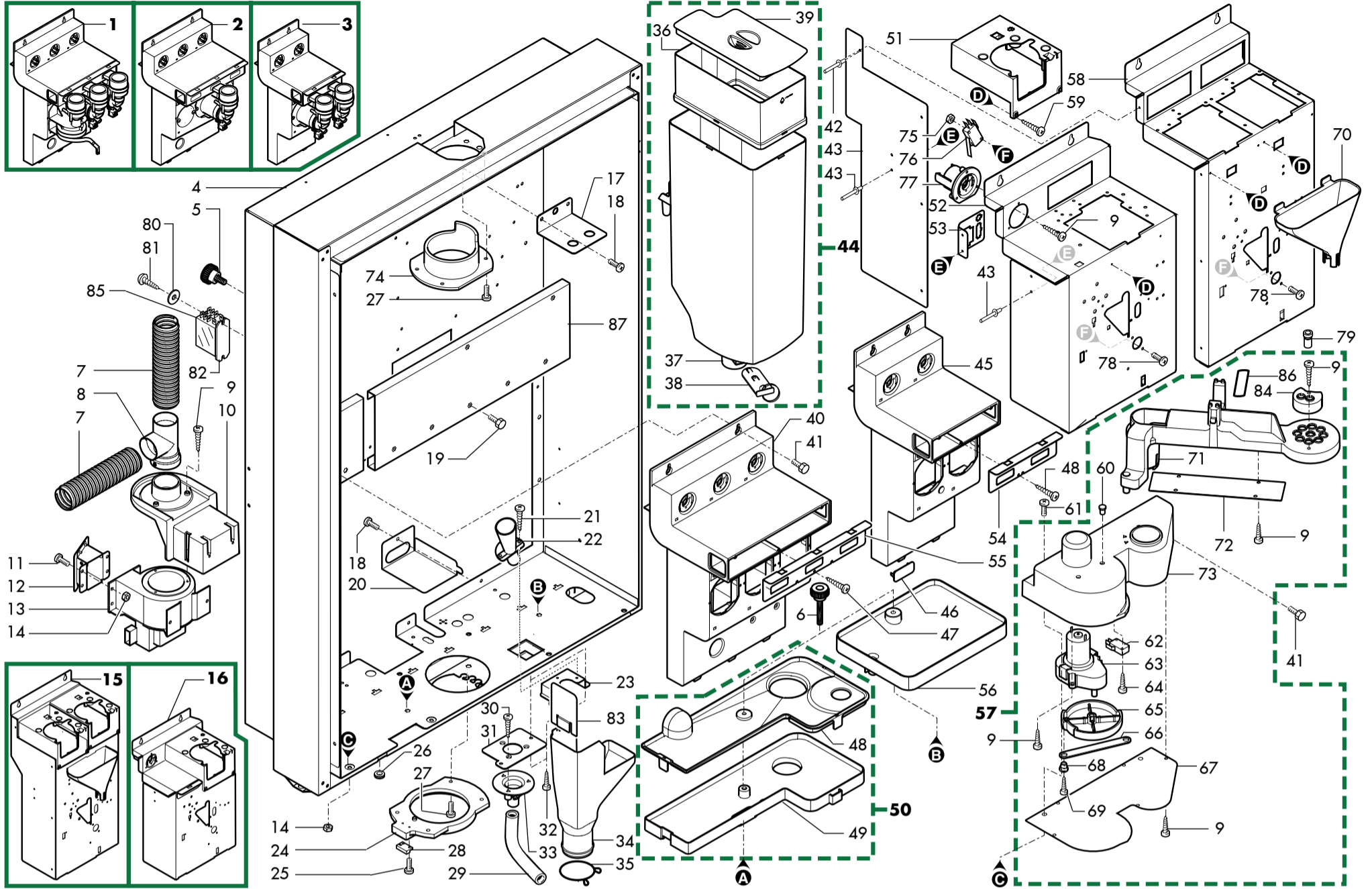


Pos.	Code	Description	Note
1	11009582	Air Break Harness Sg650	
2	9111.623	Lid Tank Air Break	
3	9111.512	Lever For Water Tank	
4	9111.508	Float For Air Break Bowl	
5	NE05.062	Microswitch + Wheel	
6	9111.622	Tank Air Break	instant
6	9111.641	Tank Air Break	espresso
7	U127.011	Screw Tapt.Tcb M5,0X8 Din 7500C	
8	NV03.002	Cap 3/4 Kapsto 800R 3/4	
9	9110.102	Water Tank Ass. Air-Break Sg New	instant
9	9110.134	Water Tank Ass. Air-Break Sg700 M.	espresso
10	9111.632	Rubber For Air Break	
11	11009786	Ass. Air/Break Assemble Sg650	espresso
11	11010386	Ass. Air/Break Assemble Sg650 Instant	instant
12	11008247	Air Break Support	
13	9111.501	Insulation Washer	
14	9110.136.00P	Ass.Electrovalve Inlet Water 24V	
15	9111.670	Omega Support Electrovalve	
16	9121.057.00P	Safety Electrovalve 24V Dc	
17	U110.003	Screw Aut.Tcb 3,5X9,5 Din 7981 F	
18	11007662	Cross Beam Ass. R/L Sides Sg650	
19	11008480	Ass.Interblock	
20	U110.005	Screw Aut.Tcb 3,9X9,5 Din 7981 F	
21	NE16.002	Grommet D.11X20,5Xh.7	
22	NE05.039	Bipolar Microswitch	
23	11008473	Box	
24	11006477	Fs400 Door Pivot For Wheel	
25	11003474	Fs400 Door Wheel	
26	11007638	Ass.Casing To Rivet Sg650	
27	NV01.002	Foot D.34 H.35 With Nut M10	
28	U046.005	Screw Te M5,0X10 With Washer	
29	12000962	Multigrip Rivets 4.8X11	
30	11008614	Ass.Upper Hinge Pivot	
31	U207.013	Plain Washer 6.5X18 Uni 6592 Galv	
32	U046.006	Screw Te M6,0X10 With Washer	
33	11009898	Stop For Door Sg650	
34	0871.126	Screw For Lock Rod	
35	11008644	Lock Pin	
36	11013032	Spacer For Door Brake	
37	U043.016	Screw Tcbc M5,0X16 Uni 7687 Galv.	
38	11008671	Rod Lock Hookup	
39	11009123	Ass.Channel Fan Aspiration	
40	12000780	Screw Tspc M4,0X20 Uni 7688 Galv.	
41	11032753	Skirting Band Assembly Atl700 Evo	
42	U701.003	Snap Ring 7 Uni 7434	
43	9111.355	Spring For Change Button	
44	11009672	Pin Fixing Revolving Plate	
45	1431.003	Keyholder Ring	
46	11008669	Lower Hinge Plate Sg650	
47	11008668	Lower Hinge Sg650	
48	U208.009	Toothed Washer 8,4X15 Uni 3703	
49	12001174	Screw Tcei M8X35 Uni 5931 Zin	

Pos.	Code	Description	Note
50	11009852	Bottom Tub Right Sg650	
51	U109.011	Screw Aut.Tcb 3,9X9,5 Din 7981 C	
52	15004269	Adhesive Number Of Cycles Capsules	
53	U043.008	Screw Tcbc M5,0X10 Uni 7687 Galv.	
54	NE05.041	Microswitch	
55	9111.407	Micro Plate	
56	U324.005	Nut M3 Flanged Indented Base	
57	9111.148	Elastic Ring For Float	
58	11032614	Support Micro Floating	
59	NF11.041	Pin For Skirting	
60	11009608	Chain For Afloat L.250Mm Sg650	
61	9111.147	Counterweight For Float	
62	9111.130	Float For Discharge Level	
63	11008255	Upper Cross Ass.	
64	U324.003	Nut M5 Flanged Indented Base	
65	11008267	Flangia Superiore Di Rotazione	
66	11007667	Roof Cross Beam X Plate Revolving Sg650	
67	U043.015	Screw Tcbc M5,0X12 Uni 7687 Galv.	
68	11009671	Pin Support Fixing 90°	
69	11009607	Tube Conveyor Liquids Discharge Central	
70	11014050	Flexible Tube D.21 L.250Mm	
71	11031028	Lower Cross	
72	9991.093	Magnet D=9,5 X H=1,5	
73	11032670	Fixing Plate Sidebucket	
74	11008476	Cover Reinforce	
75	11008477	Cover	
76	11008260	Lower Bush Of Rotation	
77	12002042	Bucket Utilplastic 328X250X300 Black	
78	NE13.046	Socket 2 Pole + Earth 08168600W	
79	11032653	Bottom Tub Left Sg650	
80	U116.006	Screw Aut.Pt Tcb 3,5X12 Wn 1441 Znp	
81	129516803	Screw Tcb3,5X19 Din 7981 Nick	
82	11012508	Air Deflector Plate Atlante	
83	11010659	Spacer For Deflector	
84	U109.005	Screw Aut.Tcb 3,5X16 Din 7981 C	
85	12001922	Ass.Doccetta C/Tubo Raccordato E Supp.	NE
86	12001921	Rubber Holder 8Mm John Guest	NE
87	12001920	Head Filtre Brita Johnguest 8Mm	NE
88	U043.014	Screw Tcbc M5,0X20 Uni 7687 Galv.	
89	1414.001	Water Softener 8 L	
90	11011627	Band For Purifier Fixing Sg650	
91	NR07.059	Std Toothed Connector F3/8X09	
92	11013056	Atlante Decalcify Raised	
93	11031046	Omega	
94	11031719	Support Rotation	
95	11031048	Plate Support Center Rotation Caps	
96	11031757	Assembly Container Support Side	
97	11001660	Protection Bush	
98	9111.694	Joint With Gear	
99	11007273	Disc For Thickness	
100	9111.687.A20	Gear Cover	
101	11031705	Plate Support 5° Caps Container	





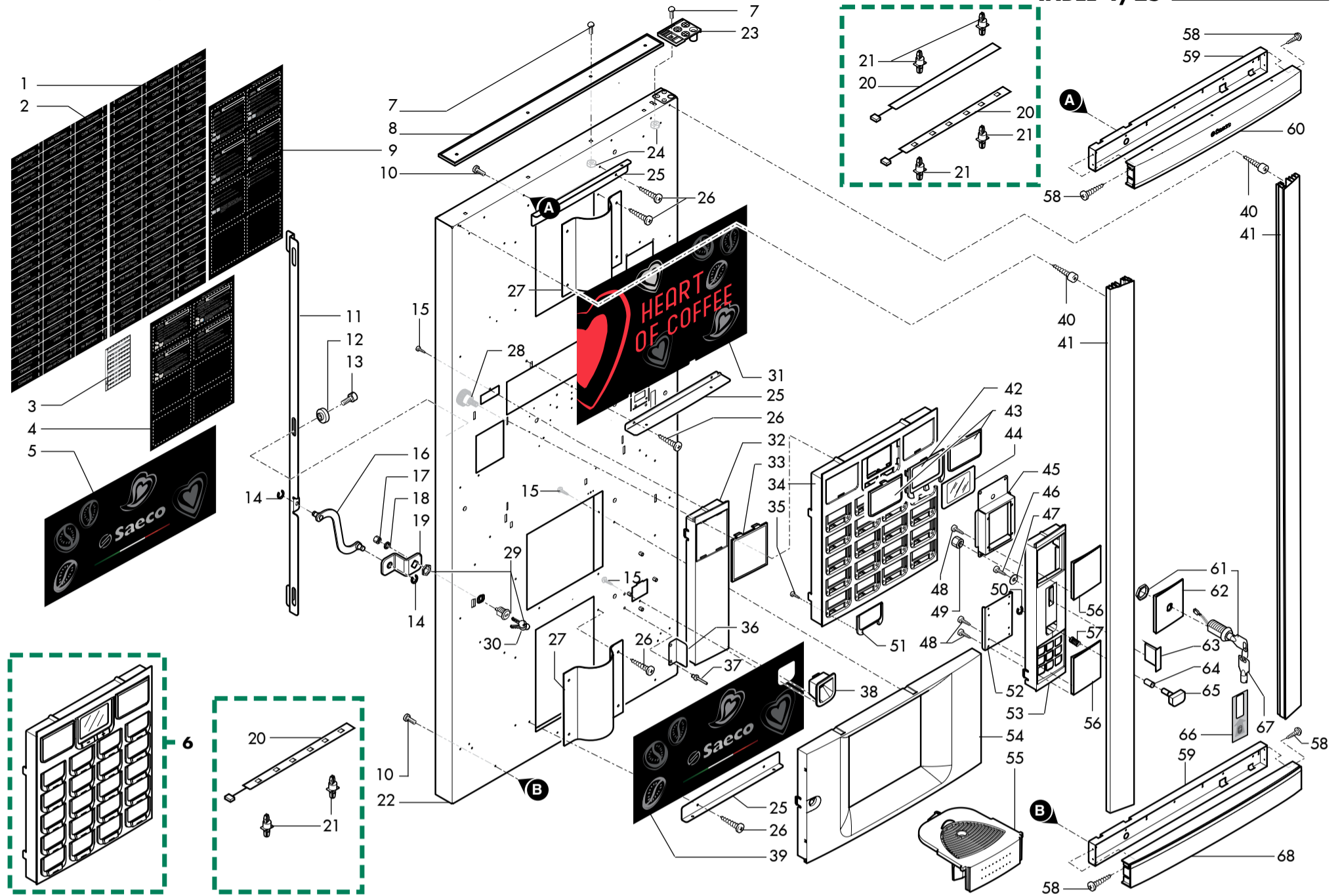


Pos. Code	Description	Note	
1	11008243	Ass. Module 3 Motor	
2	11010385	Mixer Module Ass. Sg650 Instant	instant
3	11008258	Ass. Module 2 Motor	
4	11032480	Revolving Plate Skin Atl700	
5	12002030	Knob D.18 M5X10	
6	12002032	Knob D.18 M5X40	
7	0894.009	Spiral Tube D.32 L=280 Mm	
7	1843.015	Spiral Tube L.500	instant
8	9111.640.060	Tube Connector	
9	U116.006	Screw Aut.Pt Tcb 3,5X12 Wn 1441 Znp	
10	9111.732.A20	Support	
11	U043.015	Screw Tcbc M5,0X12 Uni 7687 Galv.	
12	11009123	Ass.Channel Fan Aspiration	
13	9121.198.00A	Centrifugal Fan Cap 07	
14	U324.003	Nut M5 Flanged Indented Base	
15	11008263	Ass. Module 1 Grind	espresso 2M
15	11032215	Module 1 Grind 220/60	ME
16	11008261	Ass. Module Coffee 1 Grind	espresso 1M
16	11030336	Ass. Module Coffee 1 Grind Ttt 230V	NE TTT
17	11009909	Support Coffee Container Sg650	espresso
18	U127.011	Screw Tapt.Tcb M5,0X8 Din 7500C	
19	129720902	Te Screw M5X10 Uni 5739 Znp	
20	11010729	Tube Support Sg650	instant
21	U110.003	Screw Aut.Tcb 3,5X9,5 Din 7981 F	
22	9111.527.050	Tube Conveyor Coffee Discharge	espresso
23	11032516	Dumping Support	
24	11008265	Lower Flange Of Rotation	
25	U116.005	Screw Aut.Pt Tcb 3,0X8 Wn 1441	
26	NE16.002	Grommet D.11X20,5Xh.7	
27	U044.011	Screw Tspc M5,0X16 Uni 7688 Galv.	
28	1863.649	Reed For Door	
29	11013949	Flexible Tube D.21 L.350Mm	espresso
29	11021498	Flexible Tube D.11,5-14,5 L.360Mm	instant
30	U111.005	Screw Aut.Tsp 3,9X9,5 Din 7982 C	
31	11032515	Funnel Support	
32	U110.005	Screw Aut.Tcb 3,9X9,5 Din 7981 F	
33	9111.446.050	Funnel For Mixer Tray	instant
34	0862.111.050	Grounds Duct	espresso
35	0862.112	Grounds Sack Ring 8P	
36	11001581	Extension Tank Coffee	espresso 1M
37	9111.724	Container For Coffee Bean	espresso
38	11010736	Ass.Guillotine Coffee	espresso
39	9111.728	Cover For Coffee Container	espresso
40	11008244	Module 3 Motor	
41	U046.001	Screw Tefz M5,0X16 Uni 6921 Galv.	
42	NF11.115	Blind Rivets	
43	11008286	Support Pannel Unit	espresso 2M
44	11006485	Coffee Tank Assembly With Extension	
44	9110.139	Coffee Cont. Ass.	
45	11008259	Module 2 Motor	
46	9111.481.060	Column Cap	instant

Pos. Code	Description	Note	
47	U116.003	Screw Aut.Pt Tcb 3,0X12 Wn 1441	
48	11025813	Boiler Case Atlante650 Brown	
49	11025812	Case Of Condense Atl650 Brown	
50	11008270	Case Of Condense	
51	11008262	Grind Support	espresso
52	11008248	Coffee Module 1 Grind	espresso 1M
53	11009912	Connector Support Sg650	espresso
54	11008246	Aspiration Steel Sheet At 3	
55	11008245	Aspiration Steel Sheet At 3	
56	11026013	Mixer Tray Brown Sg650	instant
57	11008186	Arm Support Ass.	
57	11031749	Arm Support	NE
58	11008249	Coffee Module 2 Grind	espresso 2M
59	U110.002	Screw Aut.Tcb 3,5X13 Din 7981 F	
60	9161.305.150	Grey 8Gr.Brew Unit Integral Piston Plug	
61	U043.031	Screw Tcbc M5,0X40 Uni 7687 Galv.	
62	NE05.002	Microswitch	
63	11025284	Motoriduttore Fiber 37Rpm	
63	9121.107.00P	Stirrer Ratiomotor Fiber	NE
64	U110.012	Screw Tc Wn1412 /Bn13577 Zinc Bia Ka 3X2	
65	11008188	Cam Arm	
65	11031823	Cam Arm	NE
66	11008241	Connecting Rod Arm	
66	11031893	Connecting Rod Arm	NE
67	11008240	Support Arm Plate	
68	9111.204	Bush For Spring Compensate Stirrer	
69	U116.002	Screw Aut.Pt Tcb 3,5X16 Wn 1441	
70	11032060	Tube Conveyor Coffee Double Grind	espresso 2M
71	11008187	Nozzle Arm	
72	11008242	Support Arm Plate	
73	11008189	Support Arm	
74	11008268	Upper Pin Of Rotation	
75	U324.005	Nut M3 Flanged Indented Base	
76	NE05.018	Microswitch	
77	11001574	Flange Fixing Ratiomotor Lip	espresso
78	129824002	Tcb Screw M4X10 Uni 7687 Znp	
79	11031340	Bush	
80	U201.001	Plain Washer 3,2X9 Din 7349 Galv.	
81	U110.011	Screw Aut.Tcb 2,9X9,5 Din 7981 F	
82	12001124	Relay Finder 056.26	NE
83	11002131	Carter For Mixer Tank	TTT
84	11031748	Cartegho Nozzles Support	NE
85	1484.605	Power Relay 12A	NE
86	140321762	O-Ring 3218 Silicone	
87	11032489	Reinforcement Rotary Plate	

**VENDING MACHINE ATLANTE 700 EVO**

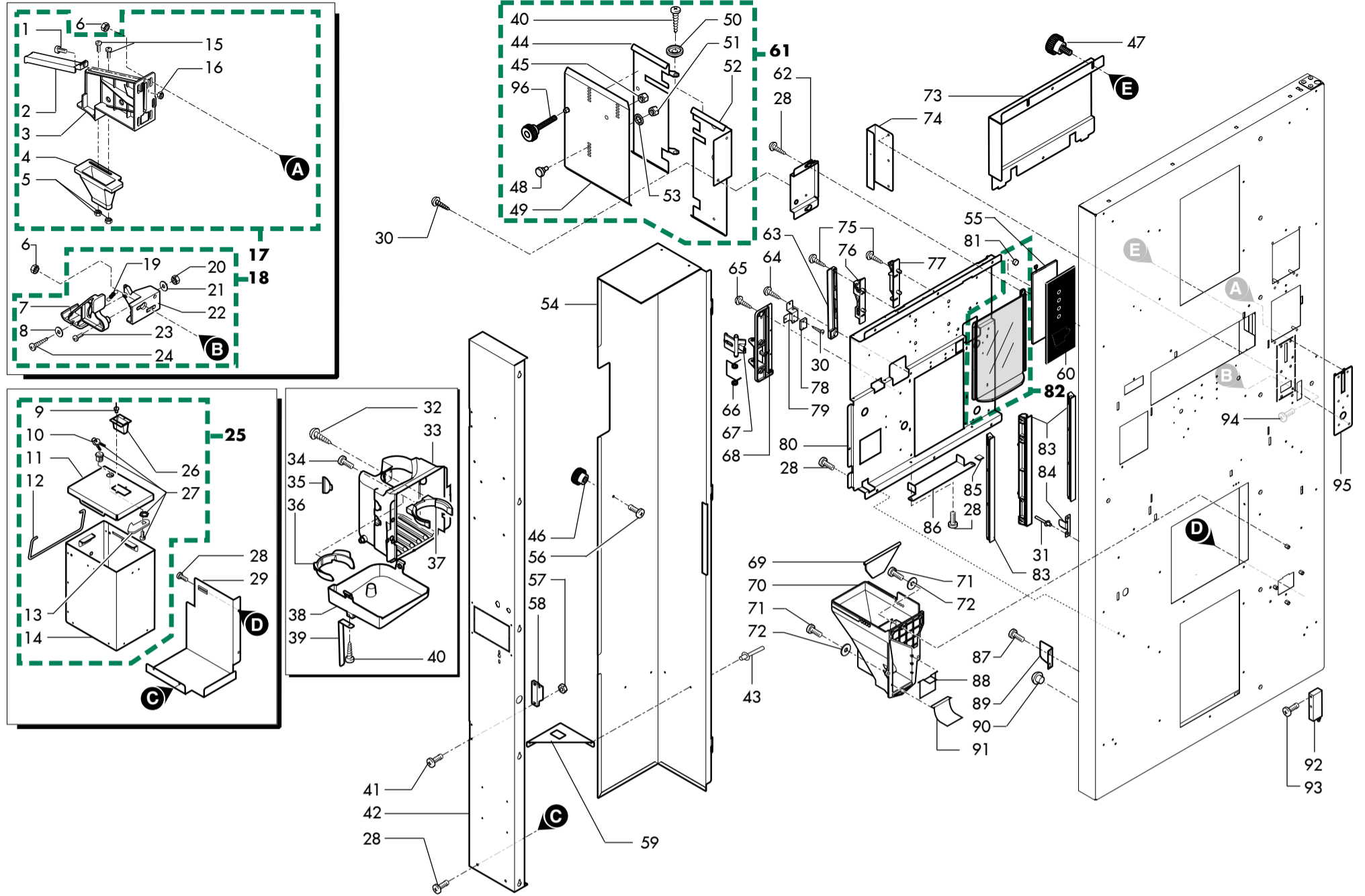
TABLE 4/25



Pos. Code	Description	Note	
1	15001691	Products Label'S Sheet Rx Atlante Ita	
1	15001693	Products Label'S Sheet Rx Atlante Eng	
1	15001695	Products Label'S Sheet Rx Atlante Fra	
1	15001697	Products Label'S Sheet Rx Atlante De	
1	15001699	Products Label'S Sheet Rx Atlante Spa	
1	15001701	Products Label'S Sheet Rx Atlante Por	
1	15001703	Products Label'S Sheet Rx Atlante NI	
1	15004342	Products Label'S Sheet Rx Atlante Caps	
2	15001690	Products Label'S Sheet Lx Atlante Ita	
2	15001692	Products Label'S Sheet Lx Atlante Eng	
2	15001694	Products Label'S Sheet Lx Atlante Fra	
2	15001696	Products Label'S Sheet Lx Atlante De	
2	15001698	Products Label'S Sheet Lx Atlante Spa	
2	15001700	Products Label'S Sheet Lx Atlante Por	
2	15001702	Products Label'S Sheet Lx Atlante NI	
2	15004341	Products Label'S Sheet Lx Atlante Caps	
3	0775.989	Price Labels White Euro	
4	15001712	Instruction Label'S Sheet Atlante Ita	
4	15001713	Instruction Label'S Sheet Atlante Eng	
4	15001714	Instruction Label'S Sheet Atlante Fra	
4	15001715	Instruction Label'S Sheet Atlante De	
4	15001716	Instruction Label'S Sheet Atlante Spa	
4	15001717	Instruction Label'S Sheet Atlante Por	
4	15001718	Instruction Label'S Sheet Atlante NI	
5	11032708	Lower Advertising Plate Atl700 Evo	NE
6	11008613	Ass.Push Button Sg650	
7	U047.008	Capstan Screw With Frame M6X20	
8	11031998	Thick Frame	
9	15002650	Instruction Label'S Sheet Atl500 Ita	
9	15002651	Instruction Label'S Sheet Atl500 Eng	
9	15002652	Instruction Label'S Sheet Atl500 Fra	
9	15002653	Instruction Label'S Sheet Atl500 De	
9	15002654	Instruction Label'S Sheet Atl500 Spa	
9	15002655	Instruction Label'S Sheet Atl500 Por	
9	15002656	Instruction Label'S Sheet Atl500 NI	
10	U127.011	Screw Tapt.Tcb M5,0X8 Din 7500C	
11	11008662	Rod For Lock Sg650	
12	11008644	Lock Pin	
13	U046.001	Screw Tefz M5,0X16 Uni 6921 Galv.	
14	U701.011	Steel Snap Ring 5 Uni 7434	
15	U116.006	Screw Aut.Pt Tcb 3,5X12 Wn 1441 Znp	
16	11008615	Lever Ass. Lock	
17	U302.004	Nut Hexagonal M6 Uni 5588	
18	U208.006	Toothed Washer 6,4X11 Uni 3703	
19	11008640	Lever For Lock	
20	11031810	400Mm Led Board	
21	12002053	Spacer For Card Led Mspe-2-01	
22	11030930	Door Led Rivet Atlante Blk	
23	11010205	Adapter Upper Frame Silver	
24	U310.004	Nut Self Lock.M6 Uni 7473	
25	11010210	Upper Support Plate Sg650	
26	U110.004	Screw Aut.Tcb 3,5X6,5 Din 7981 F	

Pos. Code	Description	Note	
27	11030086	Reinforcement Image Advertising Atlante	
28	12002031	Knob D.18 M5X15	
29	NV02.229	Lock Rielda Mod.512 + Key	
30	NV02.243	Key Rielda Aj306A	
31	11032706	Upper Advertising Atl700 Evo	
31	11033208	Upper Advertising Plate Atl700 Caffitaly	CA
32	11024252	Left Side Panel Sg650	
33	11023709	Publicity Front Plate Atlante500	
34	11032082	Pannello Tastiera Atlante	
35	129670302	Tcb Panelvit Screw 2,9X9,5 Tes.D=7,5 Znp	
36	11010203	Upper Support Plate Sg650	
37	12000962	Multigrip Rivets 4.8X11	
38	11032329	Front Plate Gry/Sil	
39	11032707	Lower Advertising Plate Atl700 Evo	
39	11033209	Lower Advertising Plate Atl700 Caffitaly	CA
40	U143.021	Screw Special 4,8X9,5 Self Tap.	
41	11031995	Aesthetic Strip Side Atl700/Aliseo Sil	
42	11032198	Display Front Plate	
43	11008620	Publicity Front Plate	
44	11032397	Display Glass Atlante700	
45	11023766	Support Cover M125 Omega	
46	U109.005	Screw Aut.Tcb 3,5X16 Din 7981 C	
47	U201.001	Plain Washer 3,2X9 Din 7349 Galv.	
48	U110.003	Screw Aut.Tcb 3,5X9,5 Din 7981 F	
49	U324.003	Nut M5 Flanged Indented Base	
50	U701.003	Snap Ring 7 Uni 7434	
51	11032199	Button Front Plate	
52	11023763	Sheet Metal Cover Slave Atlante650	
53	11032113	Right Side Panel Atl700	
54	11008598	Dispenser Frame Vain	
55	11001836	Fs400 Standard Grill	
56	11023653	Cover Slave Atlante650	
57	9111.355	Spring For Change Button	
58	U109.003	Screw Tcb 3,5X9,5 Din 7981 C Nick	
59	11031999	Support Frame	
60	11032377	Upper Frame Atl700/Alise	
61	12001931	Lock Meroni 3355/11Ka+Harness	NE
62	11031790	Cover Slave Atl700	NE
63	11031374	Cap For Insert Coin	NE
64	11031375	Bush Block Button Change Giver	NE
65	11012634	Push Button Sg650 Silver	
65	11031373	Push Button Sg650	NE
66	11032352	Adhesive Coin Introduction	
67	20007220	Key Meroni 3H1833Ctcc- Ka0514520X	NE
68	11031997	Upper/Lower Frame	





Pos. Code	Description	Note
1	U043.007	Screw Tcbc M3,0X8 Uni 7687 Galv.
2	11011663	Slide Cover Coin
3	11011616	Coin Chute
4	11011617	Coin Conveyor Adjustable
5	U302.003	Galv.Nut Hexagonal M4 Uni 5589 Zn
6	U324.003	Nut M5 Flanged Indented Base
7	11011660	Lever Coin Recovery
8	U212.006	Washer 3,2X11X0,5 Znp
9	NF11.027	Expansion Rivet D.4X7,95 Alu.
10	20007333	Key Meroni 337
11	11009687	Cover Coin Box
12	9111.388	Handle For Coin Case
13	11031071	Lever For Lock
14	11009683	Coin Case Ass.
15	12002039	Screw Tcbd Torx 20 M4X12 Zn-B
16	U302.002	Nut Hexagonal M3 Uni 5588
17	11011613	Coin Chute Ass.
18	11011615	Lever Ass. Coin Recovery
19	9111.397	Spring For Tray /Lever Coin Recove
20	123453102	Galv.Self Lock Nut High M4 Din 982
21	U201.005	Plain Washer 4,3X12 Din 7349 Gal
22	11011619	Support Lever Coin Recovery
23	129825002	Tcb Screw M4X20 Uni 7687 Znp
24	U116.005	Screw Aut.Pt Tcb 3,0X8 Wn 1441
25	11012440	Coin Case Ass.
26	9111.174.050	Coin Hopper
27	12001902	Lock Meroni 337
28	U127.011	Screw Tapt.Tcb M5,0X8 Din 7500C
29	11009688	Support Coin Box
30	U110.011	Screw Aut.Tcb 2,9X9,5 Din 7981 F
31	12000962	Multigrip Rivets 4.8X11
32	U109.022	Screw Aut.Tcb 4,2X13 Din 7981 C
33	1863.012.050	Compartment Dispenser
34	U019.005	Stei Screw M5,0X10 Uni 5923 Galv.
35	1863.013	Lens For Compartment Dispenser
36	11027722	Cup Support D.83
37	9111.368.050	Variable Cup Support Black
38	1863.023.050	Water Drip Tray
39	1863.024	Stirrup For Compartment Dispenser
40	U110.005	Screw Aut.Tcb 3,9X9,5 Din 7981 F
41	U043.028	Screw Tcbc M3,0X10 Uni 7687 Galv.
42	11009121	Cover Support System Payment
43	NF11.015	Expansion Rivet D=2,8X8 Alu.
44	0875.365	Sup.Coin Box
45	U302.001	Nut Hexagonal M5 Uni 5588
46	12002034	Knob With Bush M5
47	12002031	Knob D.18 M5X15
48	9111.614	Coin Box Anchoring Pin
49	0875.357	Ass.Fixing Plate Coin Box
50	1602.147	Bush For Door Connecting Rod
51	123160302	Nut M3 High Uni 5587 Galvanized

Pos. Code	Description	Note
52	1863.046	Coin Box Support
53	U207.003	Plain Washer 3,2X7 Uni 6592 Galv.
54	11008928	Payment Systems Cover Sg650
55	11025455	Led Diffuser For Cup
56	U043.015	Screw Tcbc M5,0X12 Uni 7687 Galv.
57	U324.005	Nut M3 Flanged Indented Base
58	9991.182	Magnet For Door Sg700
59	11012506	Cover Reinforce For Payment Systems
60	11008663	Aesthetic Plate Sg650
61	11024638	Ass.Support Coin Box
62	11013496	Frontal Plate Support Coin Box
63	1863.058	Left Support Disp.Comp. Black
64	U109.003	Screw Tcb 3,5X9,5 Din 7981 C Nick
65	U109.037	Screw Aut.Tcb 4,8X13 Din 7981 C
66	9111.373	Spring For Disp. Comp. Retaining
67	9111.372.050	Disp. Compartm. Locking Lever Blac
68	9111.371.050	Right Support Disp. Comp. Black
69	11011662	Adjustable Plate
70	11011661	Duct Coin Recovery
71	U046.001	Screw Tefz M5,0X16 Uni 6921 Galv.
72	U207.009	Plain Washer 5,5X15 Uni 6593 Ga
73	11013682	Display Cover And Power Supply Black
74	11013497	Left Plate Support Coin Box
75	U110.002	Screw Aut.Tcb 3,5X13 Din 7981 F
76	1863.032.A20	Cup Distr. Support
77	1863.033.A20	Cup Distr. Support
78	1863.649	Reed For Door
79	11009693	Sensor Bracket Vain Sg650
80	11010546	Glasses Support Black Sg650
81	9991.093	Magnet D=9,5 X H=1,5
82	11032646	Cup Station'S Door
83	11008661	Door Guide Vain
84	11008670	Bracket For Micro
85	NV01.007	Adhesive Foot
86	11009689	Drip tray Partition
87	129720902	Te Screw M5X10 Uni 5739 Znp
88	11006845	Door Conducting Coins Grey
89	11012507	Movable Plate For Atlante Door
90	12001178	Protect 8,5X15X13 Mod. 30.21.001
91	9111.357.050	Coin Chute Bottom Black
92	11008610	Lower Block Hinge Ass.
93	U046.006	Screw Te M6,0X10 With Washer
94	U046.005	Screw Te M5,0X10 With Washer
95	11012611	Ass.Blank Protection Coin Channel Atlant
96	12002033	Knob D.18 M5X25







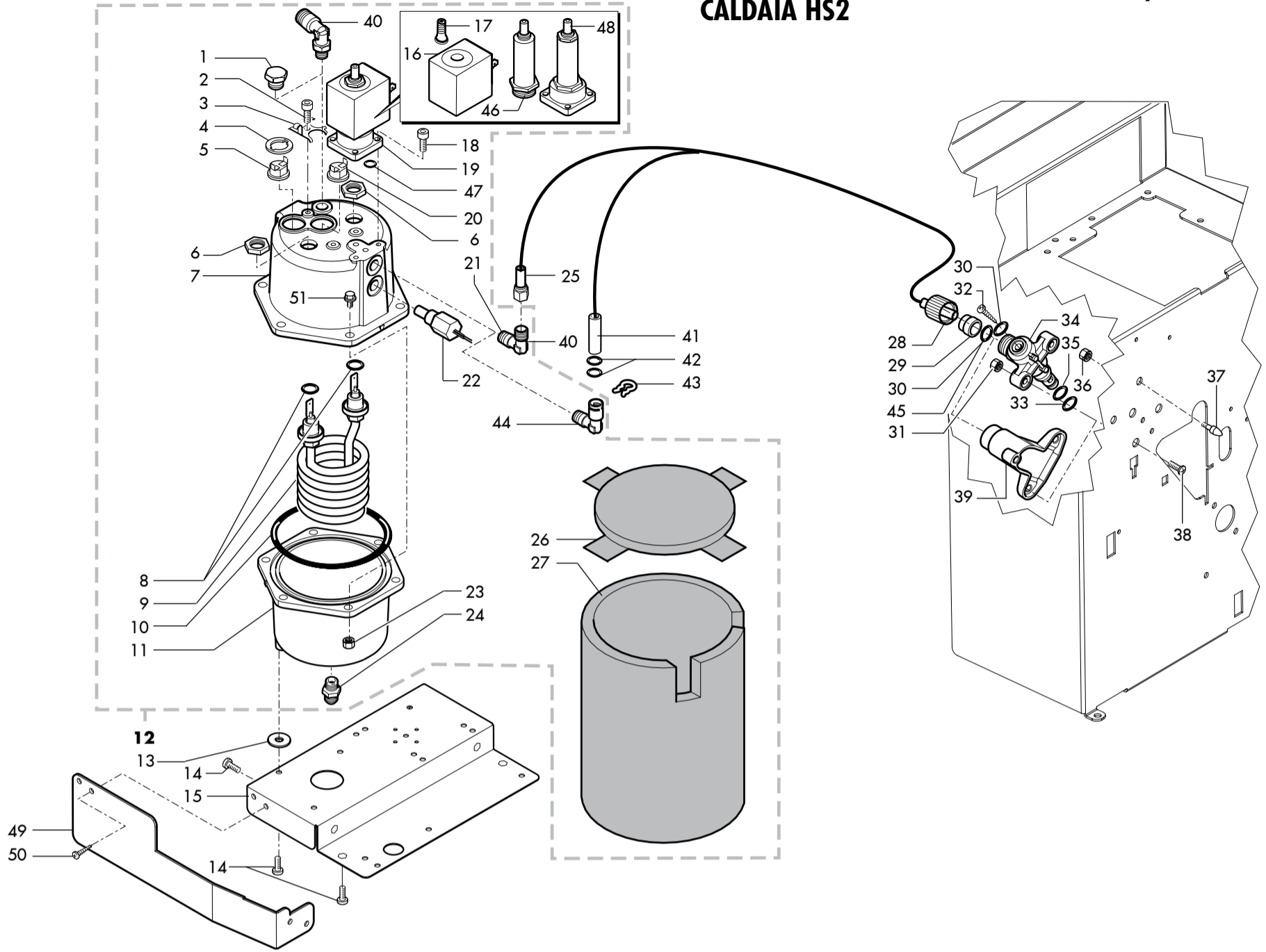






**VENDING MACHINE ATLANTE 700 EVO**

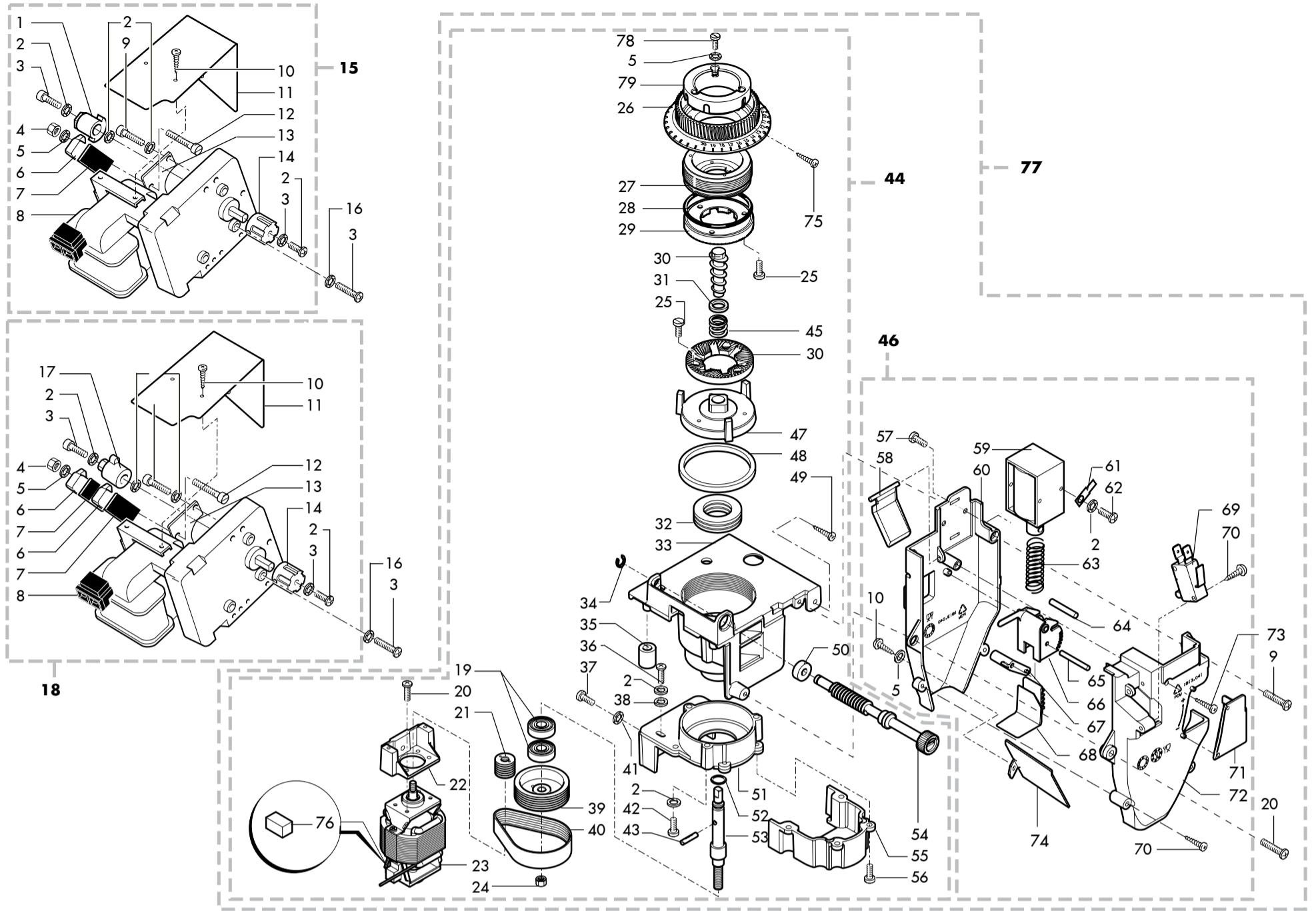
**CALDAIA HS2**



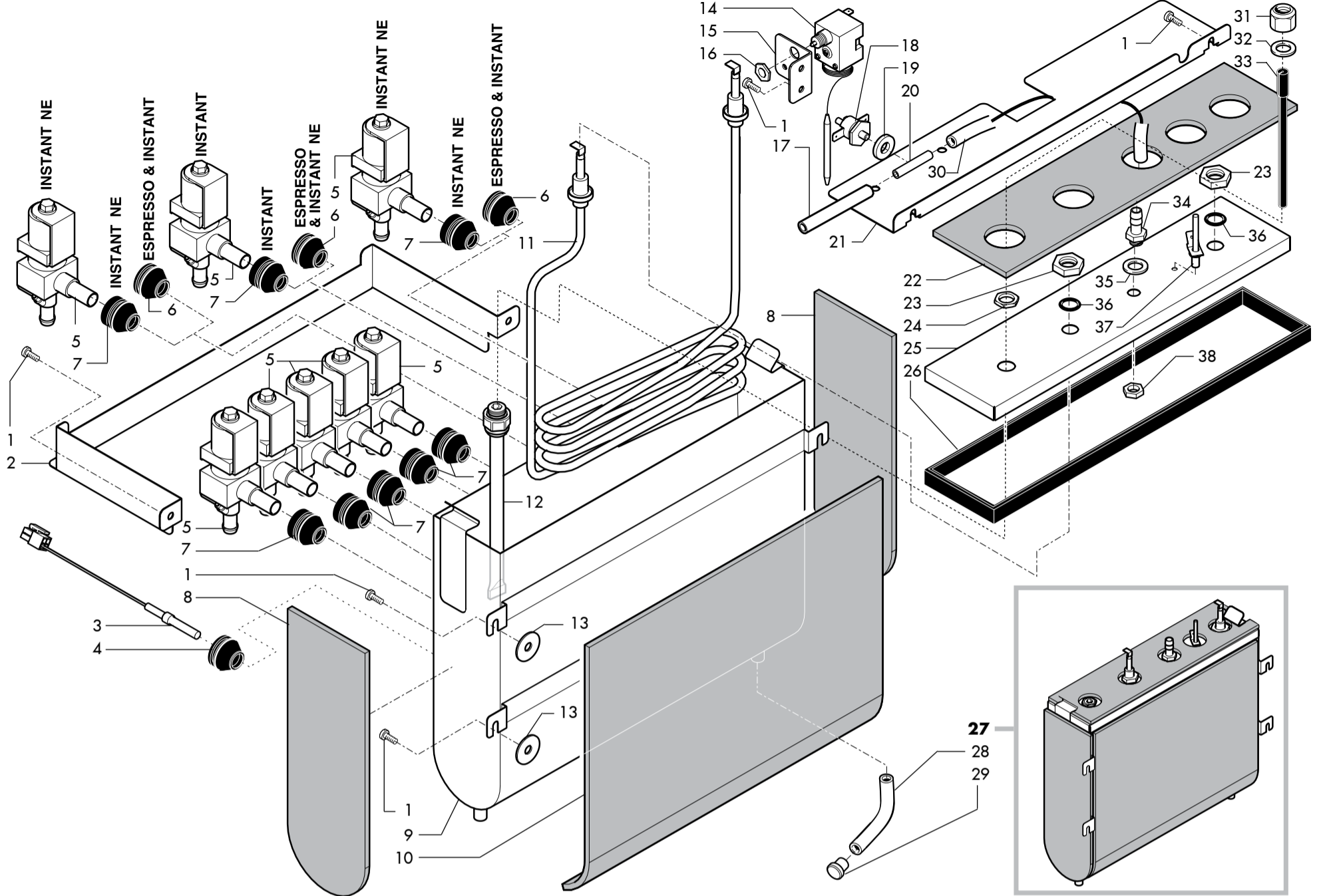
Pos. Code	Description	Note
1	12001169 Brass Cap 1/8 Gas Conical Tea	
2	12001052 Screw Tcei M4,0X6 Din 912 Zin	
3	226760100 Retaining Spring 3 Thermostats	
4	9991.085 Thermostat Fixing Washer	
5	NE09.021 Thermostat 150°Nc Faston 90°	
6	9991.029 Nut For Resistor	
7	11012528 Upper Casing Boiler 600Cc Tea	
8	11000972 Or 3050 Fkm 80 Fd Peroxidica	
9	11005367 Heat Element Boiler 230V 1550W	
10	12000770 Or Orm 4350 Viton	
11	11012529 Lower Casing Boiler 600Cc Tea	
12	11026694 Hs2 Boiler Atl 650 230V 50Hz Tea	NE TTT
12	11030611 Hs2 Boiler Atl 7000 230V 50Hz Tea C.B.	
13	9111.501 Insulation Washer	
14	12002039 Screw Tcbd Torx 20 M4X12 Zn-B	
15	11008250 Boiler Support	
16	20007361 Solenoid Evt Ode	
17	20007362 Spare Core Ev Ode	
18	12001179 Screw Tcei M4,0X12 Uni 5931 8.8 Zin.	
19	11012534 Tea Electrovalve 2/3 Way N.C.	
20	189428700 Thermostat 175° 1Nt-15L-5126	
21	11025082 "1/8""G M/Conical Orient. Nut/Ogv"	
22	11005368 Immersion Probe Ass.	
23	U302.004 Nut Hexagonal M6 Uni 5588	
24	11027089 Water Inlet Connector	
25	11025406 Tube Assembly Teflon 3X6 L.250Mm	NE TTT
26	11030776 Coffee Boiler 600Cc Upper Isolator	
27	11030778 Coffee Boiler 600Cc Upper Isolator	
28	11005743 Knurled Female Hand Bolt M14	
29	11005741 Connector D.6	
30	140321462 O-Ring 2018 Silicone	
31	U302.003 Galv.Nut Hexagonal M4 Uni 5589 Zn	
32	U109.037 Screw Aut.Tcb 4,8X13 Din 7981 C	
33	11013174 Or Orm 0050-20 Fkm 80 Fd Green Peroxida	
34	11005370 Pin For Muff	
35	11013173 Or Orm 0090-20 Fkm 80 Fd Green Peroxida	
36	U324.006 Nut M4 Flanged Indented Base	
37	11006046 Peg For Boiler	
38	U044.013 Screw Tspc M4,0X12 Uni 7688 Galv.	
39	11013431 Phedra Ttt Sleeve Ttt Circuit	NE TTT
40	12001181 Biconical Connect. L M 1/8X06 Tea	NE TTT
41	11030637 Tube Teflon 4X2 L.250	
42	NM02.028 Or 2015 Epdm Fda	
43	9011.144 Ss Fork For Tube D=4	
44	11029569 Connector	
45	12001810 Or 275 De.8,04 Silicone Perno Manicotto	
46	20007363 Spare Evt Ode	
47	20007312 Spare Or Evt Hs2 11012534	
48	20007370 Spare Evt 11012534	
49	11032518 Fixing Support Boiler-Plate	
50	U110.004 Screw Aut.Tcb 3,5X6,5 Din 7981 F	

Pos. Code	Description	Note
51	U023.020 Screw Tcei M6X20 Uni 5931 Zin	





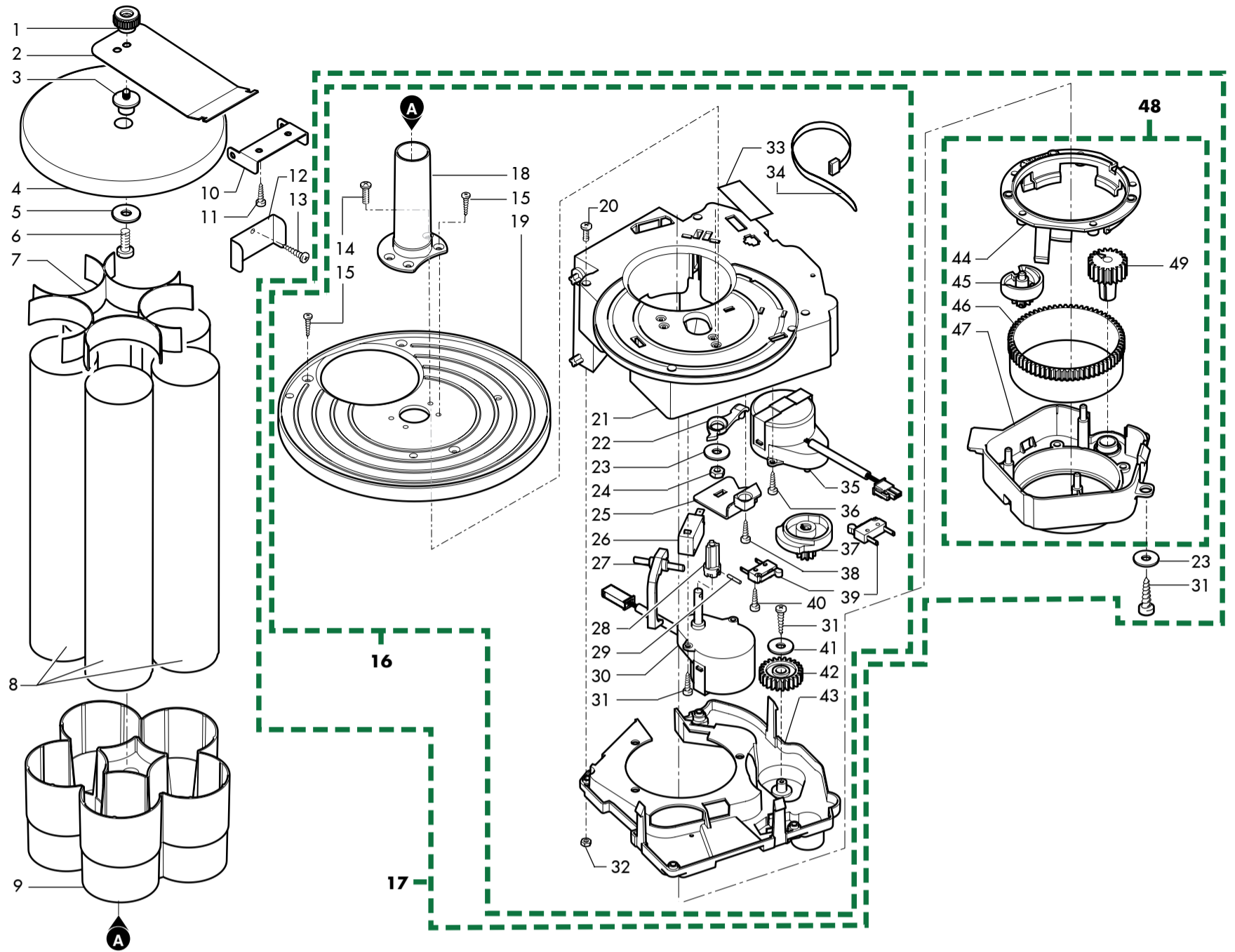
Pos. Code	Description	Note	Pos. Code	Description	Note
1	9991.037	Cam For Ratiomotor 1 Micro	46	11028667	Doser Ass. 6-11 Gr. Lx 220V P&G
2	128310404	Washer Uni 8842 A4 Burnished	46	1813.A10.A2A	Doser Ass. 6-11 Gr.
3	129824002	Tcb Screw M4X10 Uni 7687 Znp	46	1813.A10.A2N	Doser Ass. 6-11 Gr. 220V 60Hz
4	U302.002	Nut Hexagonal M3 Uni 5588	47	11025691	"Lower Grinding Disk Holder ""Grind 48""
5	U208.002	Toothed Washer 3,3X5,8 Uni 3703 G	48	11027451	Felt Ring De=47,4 Di=41,4H=4
6	NE05.066	Microswitch Cherry D419Q1A	49	U116.006	Screw Aut.Pt Tcb 3,5X12 Wn 1441 Znp
7	9991.014	Card For Micro Switches	50	1813.159	Antivibration Rubber
8	11032817	Ratiomotor 30 Pack 230/240-50	51	11027164	Motor Support Grinders D.48
8	11032819	Ratiomotor 30 Pack 220/60	52	140321662	O-Ring 2021 Silicone
9	129825502	Tcb Screw M4X25 Uni 7687 Znp	53	11025693	"Central Pin ""Grind 48""
10	129511903	Screw Tcb 2,9X6,4 Din 7981 Bz Nick	54	1813.104.A20	Adjustment Screw With Tube Holder
11	11014251	Central Unit Motor Steel Carter	55	11027186	Shell Closure Belt
12	U034.003	Screw Tci M3,0X20 Uni 6107 Galv.	56	U127.010	Screw Tapt.Tcb M4,0X10 Din 7500C
13	11003524	Plate For Micro Ratiomotor	57	129851921	Tsp Screw M3X6 Uni 7688 Ss
13	9991.015	Plate For Micro	58	1813.042.A20	Dispenser Pallet
14	9991.013	Joint For Ratiomotor	59	9121.235.00A	Electromagnet For Dispenser With Nucleus
15	11025216	Ass.Ratiomotor For Da 230V Fs400	59	9121.235.00N	Electromagnet X Dispenser W/Nucleus 220V
15	11025217	Ass.Ratiomotor For Da 220/60 Fs400	60	11026302	Dispenser Shell
16	U207.002	Plain Washer 4,3X9 Uni 6592 Gal	60	1813.040.A20	Dispenser Shell
17	11003525	Cam Coffee Group Fresh Brew	61	NE15.003	Male Tongue Plain 6,3 D.5,2
18	11023414	Ratiomotor Cristallo600 Ttt 230V	62	129570402	Screw M3X6 Din 7985 Znp
19	11025696	Bearing Rtp 608-2Z	63	1813.127	Spring For Electromagnet
20	12002039	Screw Tcbd Torx 20 M4X12 Zn-B	64	1813.092	Pin
21	11025690	"Pulley D.15 ""Grind 48""	65	1813.091	Pin For Dispenser Regulation
22	11027163	Motor Support Grinders D.48	66	1813.043.A20	Dispenser Regulation
23	11027396	Coffeegrinder Motor D.48 230V	67	1813.078.A20	Adjustment Lever
24	U310.004	Nut Self Lock.M6 Uni 7473	68	1813.044.A20	Pallet For Regulation
25	U043.007	Screw Tcbc M3,0X8 Uni 7687 Galv.	69	NE05.062	Microswitch + Wheel
26	11032640	Stop Grind X Atl700 Ttt D.48	70	U116.004	Screw Aut.Pt Tcb 3,0X16 Wn 1441
26	1813.103.A20	Ring Nut Of Grind Regulation	71	1813.191.A20	Dispenser Cover
27	11025692	"Upper Grinding Disk Holder ""Grind 48""	72	11026303	Outside Shell Dispenser
28	12001617	Or 3206 Nbr	72	1813.041.A20	Outside Shell Dispenser
29	11021838	Flat Mill D.43 Tea	73	12000390	Screw Aut.Tcb 2,9X25 Din 7981 C Nik
30	11025695	"Increase Screw ""Grind 48""	74	11026304	Tube Conveyor Coffee Lx Atl650
31	11027418	Spacer For Screw Of Increase	75	U109.004	Screw Aut.Tcb 4,8X9,5 Din 7981 C
32	11025699	Bearing Rtp 51104	76	20007420	Motor Brush
33	11027162	Grinders Cap D.48	77	11027395	Coffee Grinder D.48 + Dispencer
34	U701.011	Steel Snap Ring 5 Uni 7434	77	11027721	Coffee Grinder D.48 + Dispencer Lx
35	1813.046.050	Rubber Grind Support	77	11031411	Coffee Grinder D.48 + Dispencer
36	12002052	Zn-B Tcb Screw M4X16	77	11032631	Coffee Grinder D.48+Dispencer 220V/60Hz
37	U023.004	Screw Tcei M6,0X12 Uni 5931 Galv.	77	11032637	Coffee Grinder D.48+Dispencer Lx 220/60
38	U207.004	Plain Washer 4,3X16 Uni 6592 Gal	78	U043.023	Screw Tcbc M3,0X18 Uni 7687 Galv.
39	11025689	"Pulley D.40 ""Grind 48""	79	11032110	Bush
40	11032130	Belt Grinder Coffee			
41	U208.006	Toothed Washer 6,4X11 Uni 3703			
42	12001700	Screw Tcb M4X30 Uni 7687 Znp			
43	11025921	Power Plug Uni-En 28743 D.3X14			
44	11027165	Coffee Grinder D.48			
44	11031412	Coffee Grinder D.48 Ttt			
45	11025694	"Spring ""Grind 48""			
46	11026301	Doser Ass. 6-11 Gr. 220V			



Pos. Code	Description	Note
1	U127.011	Screw Tapt.Tcb M5,0X8 Din 7500C
2	11012505	Omega Fixing For Solubles Electrovalve
3	NE13.065	Solubles Probe Ass.
4	9011.210	Tube Grommet Immersion Probe D6
5	11008386	Soluble Elettrovalve 24V Dc
6	9011.195	Plug For Boiler
7	9111.507	Tube Grommet For Solenoid Valve
8	11009951	Side Boiler Isolator
9	11008277	Ass.Boiler
10	11009889	Frontal-Back Boiler Isolator
11	11008282	Boiler Heat Element 230V 2160W
12	9110.068	Ass.Tube For Limiter
13	1843.018	Insulator For Boiler Support
14	NE09.035	Limiter Ty95H
15	9111.598	Support
16	NV99.093	Nut
17	9972.226	Silicone Tube 7X11 L.90Mm
18	NE09.029	Unipolar Thermostat Manual Reset
19	NV99.071	Plain Washer 5,5X12 In Copper
20	0871.164	Tube For Thermostat
21	11009895	Separator Boiler Sg650
22	11009952	Upper Boiler Isolator
23	9991.029	Nut For Resistor
24	WGAND01/016	"1/4" Gas Nut"
25	11008273	Boiler Lid
26	11011556	Boiler Seal Solubles Atlante
27	11008276	Ass.Boiler 230V
27	11010384	Ass.Boiler 230V Sg650 Instant
27	11031765	Ass.Boiler 230V Atl700 Instant
27	11031925	Ass.Boiler 230V Atl700 Inst.Ab
28	9972.313	Silicone Tube 7X11 L.170Mm
29	NV03.006	Cap Kapsto Lpn 615/010
30	9972.141	Silicone Tube 7X11 L.160Mm
31	9181.135	Nut 1/4 Tube D.8 Profi
32	U207.005	Plain Washer 6,4X11 Uni 6592 Gal
33	1812.070	Rubber
34	0871.141	Male Rubber Holder Cyl. D.9
35	0871.140	Copper Washer
36	11000972	Or 3050 Fkm 80 Fd Peroxidica
37	NE13.022	Copper Rivet D.4 With Tongue 6,3
38	0871.139	"Hexagonal Nut Ch.14 1/8" Gas"

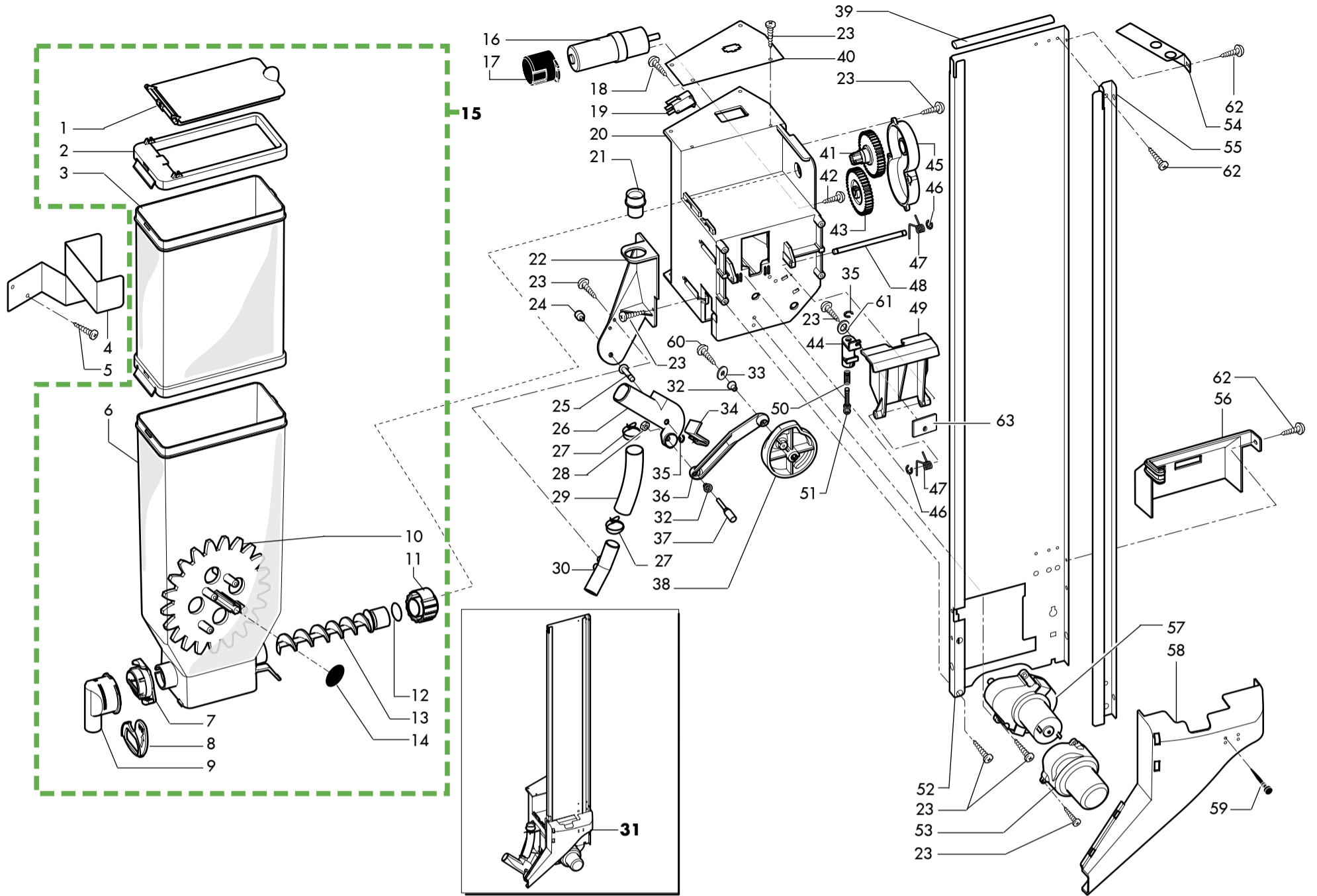
Pos. Code	Description	Note
14		
15		
16		
17		
18		
19		
20		
21		
22		
23		
24		
25		
26		
27		
28		
29		
30		
31		
32		
33		
34		
35		
36		
37		
38		





Pos. Code	Description	Note
1	12002034 Knob With Bush M5	
2	11009678 Basket Stop Plate Sg650	
3	11010585 Central Pin For Cup Column	
4	11009310 Tank Lid Glasses	
5	U207.009 Plain Washer 5,5X15 Uni 6593 Ga	
6	U043.021 Screw Tcbc M5,0X8 Uni 7687 Galv.	
7	11009242 Cup Tube Fixing Spring	
8	11001422 Tube Pvc 80X1.5 L=705	
9	11008470 Glasses Basket 5 Column	
10	11009680 Basket Stop Bracket Sg650	
11	U109.003 Screw Tcb 3,5X9,5 Din 7981 C Nick	
12	1813.162 Bracket Stop Dispenser	
13	U110.004 Screw Aut.Tcb 3,5X6,5 Din 7981 F	
14	U044.021 Screw Tsp M3,0X20 Uni 7688 Ss	
15	129914102 Screw Tsp Torx 10 3,5X12 Plast.Zn-B	
16	11009682 Ass.Dispenser 5 Columns	
17	11009681 Ass.Dispenser Glasses 5 Column	
17	11030331 Ass.Dispenser Glasses D73 5 Column	ME
18	11000642 Tube For Basket Glasses	
19	11008472 5 Column Surface	
20	U034.001 Screw Tci M3,0X30 Uni 6107 Galv.	
21	11000785 Upper Casing Dispenser Glasses	
22	11007354 Lever	
23	U212.006 Washer 3,2X11X0,5 Znp	
24	U310.001 Galv.Self Lock. Nut M3 Uni 7473	
25	11007356 Micro Cover	
26	NE05.065 Microswitch Cherry D41Rq3Aa	
27	1813.067.A20 Lever	
28	11007355 Cam	
29	11009494 Brass For Motor Saia Uds1 Cod.416616310	
30	11009493 Motor Saia Uds1Ud5M75Can3Kz286	
31	U116.005 Screw Aut.Pt Tcb 3,0X8 Wn 1441	
32	U324.005 Nut M3 Flanged Indented Base	
33	11001467 Adhesive Label Pvc 54X30 Mm	
34	144320200 Self Lock Strip W=2.6 L=200	
35	9121.226.00A Motor Saia Uds 5 Rpm 220V	
36	U109.005 Screw Aut.Tcb 3,5X16 Din 7981 C	
37	1863.066.A20 Disengage Cam Glasses	
38	NE05.064 Microswitch Saia V4Nc	
39	U109.018 Screw Aut.Tcb 3,5X6,5 Din 7981 C	
40	129510503 Screw Tcb 2,2X12,7 Din 7981 Nick	
41	U201.001 Plain Washer 3,2X9 Din 7349 Galv.	
42	1813.068.A20 Toothed Wheel	
43	1813.062.A20 Lower Casing Dispenser Glasses	
44	11000786 Retaining Ring	
45	1813.072.A20 Snail For Glasses D.70	
45	1813.192.050 Snail For Glasses D.73	ME
46	1813.073.A20 Toothed Wheel For Snail	
47	11000833 Snail Support	
48	11000835 Ass.Snail Support	
48	11000863 Assembly Support	ME

Pos. Code	Description	Note
49	1813.074.A20 Toothed Wheel	

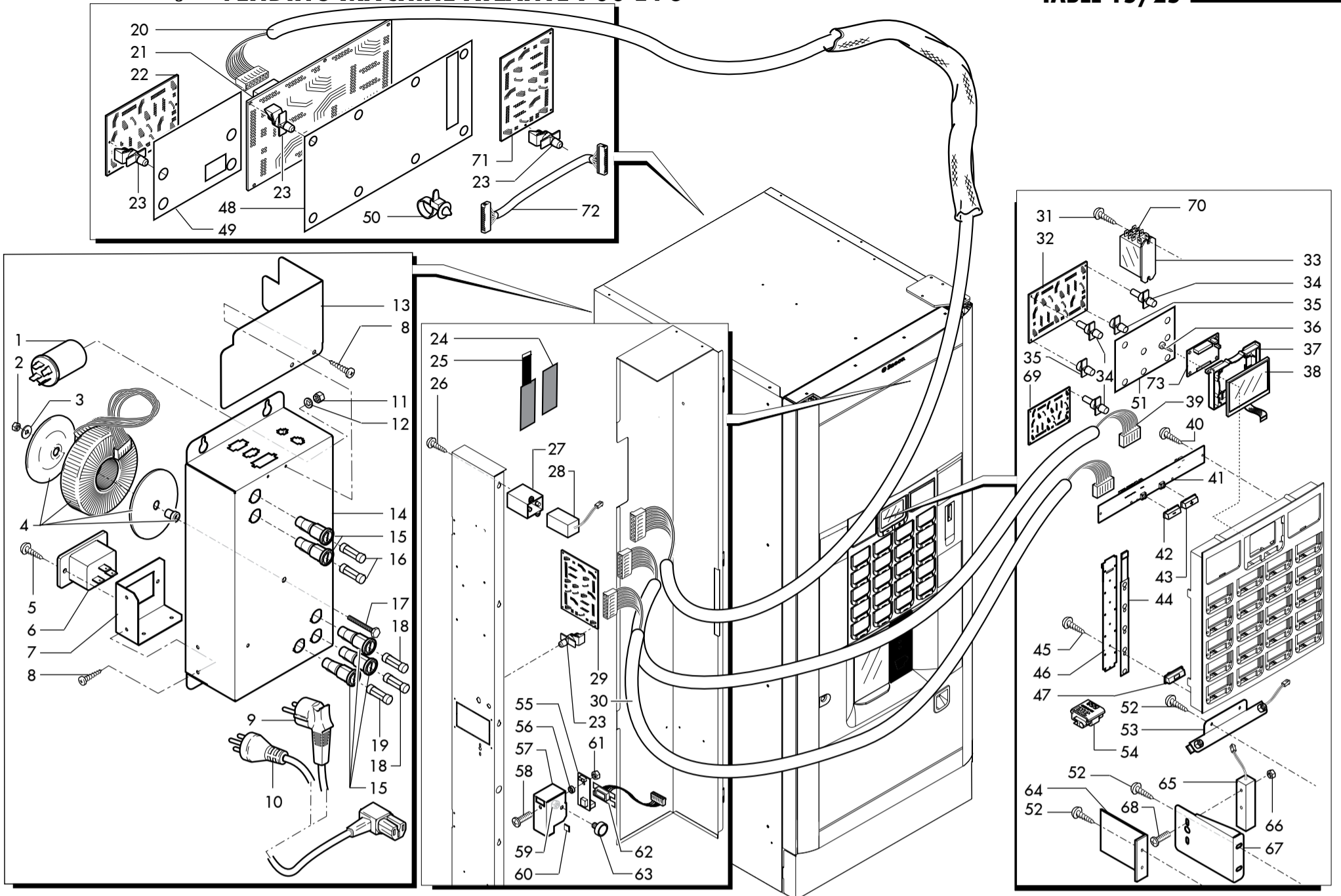


Pos. Code	Description	Note
1	9111.683 Soluble Cover	
2	9111.696 Cover Sugar Container	
3	11004610 Extension For Container Sugar	
4	11009957 Plate Stop Container Sugar Sg650	
5	U109.003 Screw Tcb 3,5X9,5 Din 7981 C Nick	
6	9111.685 Sugar Container	
7	9111.630.060 Bush For Powders Tank	
8	9111.338.270 Bulkhead For Apert. Closure Orange	
9	9111.629.060 Aperture For Solubles Hopper	
10	11032878 Container Wheel Sugar Bpa Free	
11	11012130 Back Bush Reinforce	
12	NM03.013 Or 2,3X15 Nbr	
13	9111.726 Scroll Screw Sugar Container	
14	9111.646 Adhesive For Tank	
15	11005129 Assembly Sugar Container	only vers. espresso
16	9121.106.00P Sugar Ratiomotor 24V Dc	only vers. espresso
17	9121.155 Hood For Ratiomotor	only vers. espresso
18	U110.007 Screw Aut.Tcb 2,9X16 Din 7981 F Znp	
19	NE05.002 Microswitch	
20	9111.684.A20 Support Stirrer	
21	9111.699 Aperture Sugar Tube	only vers. espresso
22	9111.686.A20 Support Sugar Conveyer	only vers. espresso
23	U116.006 Screw Aut.Pt Tcb 3,5X12 Wn 1441 Znp	
24	11000388 Knob M3 Sugar Conveyer	only vers. espresso
25	11000389 Grained Pivot Sugar Coveyer	only vers. espresso
26	9111.690 Sugar Conveyer	only vers. espresso
27	9111.553 Self-Energizing Spring For Tube D.2	only vers. espresso
28	123160302 Nut M3 High Uni 5587 Galvanized	only vers. espresso
29	9111.700 Sugar Tube	only vers. espresso
30	9111.697 Connector Sugar Tube	only vers. espresso
31	11009170 Ass.Sugar/Spoons Dispender 24Vdc Sg650	only vers. espresso
31	11010382 Stirrer Dispenser Ass. Sg650 Instant	
32	9111.705 Spherical Pin	only vers. espresso
33	U201.001 Plain Washer 3,2X9 Din 7349 Galv.	
34	9111.727 Bulkhead Sugar Conveyer	only vers. espresso
35	U701.011 Steel Snap Ring 5 Uni 7434	
36	9111.691 Connecting Rod Sugar Dispencer	only vers. espresso
37	11004295 Knob For Sugar Connecting Rod Pipe	only vers. espresso
38	11008685 Sugar Cam	
39	9111.668 Stirrer Disp.Counterweight D.10	
39	9111.669 Stirrer Disp.Counterweight D.10	
39	9111.745 Stirrer Disp.Counterweight	
40	9111.707 Reinforcing Plate	
41	9111.694 Joint With Gear	only vers. espresso
42	U116.005 Screw Aut.Pt Tcb 3,0X8 Wn 1441	only vers. espresso
43	9111.695 Gear Z40	only vers. espresso
44	9111.737 Support	
45	9111.687.A20 Gear Cover	
46	U701.006 Snap Ring 3,2 Uni 7434	
47	9111.730 Spring	
48	9111.376 Pin For Stirrer Expeller	

Pos. Code	Description	Note
49	11011240 Stirrer Expeller Black New	
50	11031341 Spring	
51	11002209 Pin	
52	11009171 Stirrer Guide Adjustable 90-115 Sg650	
53	11025411 Cristallo Spoon'S Motor Cover	
54	11009172 Bracket For Stirrer Guide Sg650	
55	11009139 Stirrer Guide Sg650	
56	11007444 Carter	
57	11025284 Motoriduttore Fiber 37Rpm	
58	9111.698.A20 Stirrer Slide	
59	9161.082 Rubber Coupler	Only stirrer disp. 90
60	U116.004 Screw Aut.Pt Tcb 3,0X16 Wn 1441	
61	U207.003 Plain Washer 3,2X7 Uni 6592 Galv.	
62	U110.004 Screw Aut.Tcb 3,5X6,5 Din 7981 F	
63	11025089 Plate Reinforcement	



Vending

**VENDING MACHINE ATLANTE 700 EVO**
**TABLE 15/25**


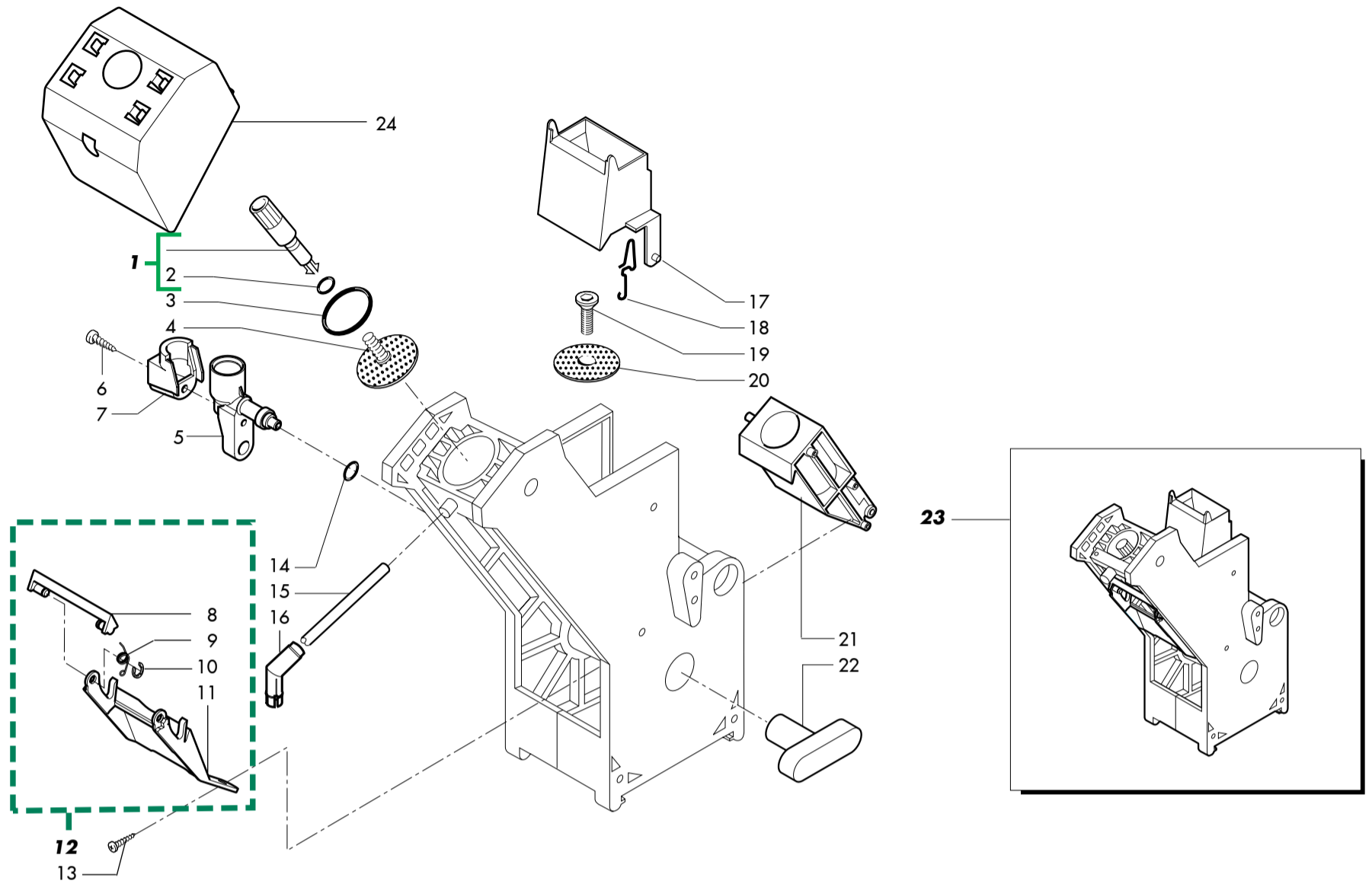
Pos. Code	Description	Note
1	11032135	Locking Screw Antidisturb Filter 230V16A
2	U310.004	Nut Self Lock.M6 Uni 7473
3	U207.013	Plain Washer 6.5X18 Uni 6592 Galv
4	NE19.028	Toroidal Transformer Fs 400
5	U111.008	Nick.Screw Aut.Tsp 3,5X9,5 Din 7982 C
6	NE13.055	Cup Socket 16A
7	11008833	Power Connector Support
8	U110.003	Screw Aut.Tcb 3,5X9,5 Din 7981 F
9	NE01.101	Cable Schuko 16A En 60320 C19
10	11012105	Cable Aus + Plug En60320 C19
10	11012275	Cable Ra + Plug En60320 C19
10	11032544	Power Cable Bra 16A 3X1,5
11	U302.007	Nut Hexagonal M8 Uni 5588
12	U208.009	Toothed Washer 8,4X15 Uni 3703
13	11009894	Safety Plate For Connector
14	11008832	Cpu For Trasformer
15	NE13.016	Fuse Holder With Screw On Cap
16	12001112	Fuse 6,3X32 T 12A
17	U005.013	Screw Te M6,0X70 Uni 5739 Galv.
18	NE13.091	Fuse T 4A 6.3X32
19	NE13.043	Fuse 6,3X32 6,3A 250V Delayed
20	11009599	Harness Sg650
21	11008856	Sg650 Power Board
22	11008857	Sg650 Triac Board
23	9111.402	Spacer For Card
24	0875.990	Touch Panel Plate
25	0875.741	Touch Panel
26	U116.005	Screw Aut.Pt Tcb 3,0X8 Wn 1441
27	9991.140.050	Impulsecounterholder Keisu Gx-06R
28	NE13.025.00P	Impulse Counter Keisu Gx-06R 24V
29	11024111	Cpu+Sw As. Atlante
30	11009751	26 Poles Flat Cable For Push Button
31	U110.010	Screw Aut.Tcb 2,9X6,5 Din 7981 F
32	11030270	Atlante Led Power Supply
33	12001124	Relay Finder 056.26
34	12001216	Spacer Richco Lcbs-3-01
35	12001217	Spacer Richco Ps-3-01
36	U116.003	Screw Aut.Pt Tcb 3,0X12 Wn 1441
37	11032436	Display Support
38	11032399	"3,5"" Tft Display 320X240"
39	11009750	24 Poles Flat Cable For Display
40	U116.006	Screw Aut.Pt Tcb 3,5X12 Wn 1441 Znp
41	11008817	Interface Board For Display Sg650
42	11032328	Display Push Button (-) Blk
43	11032327	Display Push Button (+) Blk
44	11032131	Membrane Keyboard Atl700 One Led Strip
45	129670302	Tcb Panelvit Screw 2,9X9,5 Tes.D=7,5 Znp
46	11031994	Sg650 Led Board (One Led Stripe)
47	11032140	Push Button
48	11009896	Card Protection Sg650
49	11009897	Card Protection Boiler Sg650

Pos. Code	Description	Note
50	NF11.043	Clip With Hook
51	11012747	Card Protection Led Atlante
52	U109.011	Screw Aut.Tcb 3,9X9,5 Din 7981 C
53	11023437	Ass.Led Support Atlante
54	NE13.099	Clamp
55	2067.601	Adattatore Infrarossi
56	NE18.022	Spacer Richco Ss08-07.5 Mm
57	11031252	Irda Card Support
58	U043.006	Screw Tcbc M4,0X14 Uni 7687 Galv.
59	U324.003	Nut M5 Flanged Indented Base
60	NV01.007	Adhesive Foot
61	NF11.047	Nut M4 H.4,5 In Plastic
62	11031300	Flat Cable
63	9991.206	Magnet D.13 H.4,5 M5 Male
64	11014052	Plate Reflecting Atlante
65	11013812	Sensor
66	U324.006	Nut M4 Flanged Indented Base
67	11028020	Support Sensor
68	129825502	Tcb Screw M4X25 Uni 7687 Znp
69	11032179	Atlante Led Connector Board
70	1484.605	Power Relay 12A
71	11031694	Card Atlante Capsule Expansion
72	1034.802	Flat Cable 16 Pole L.250
73	11032383	Hw Interf. New Tft Display Umsh-8252Md-T

 Capsbean  
Capsbean



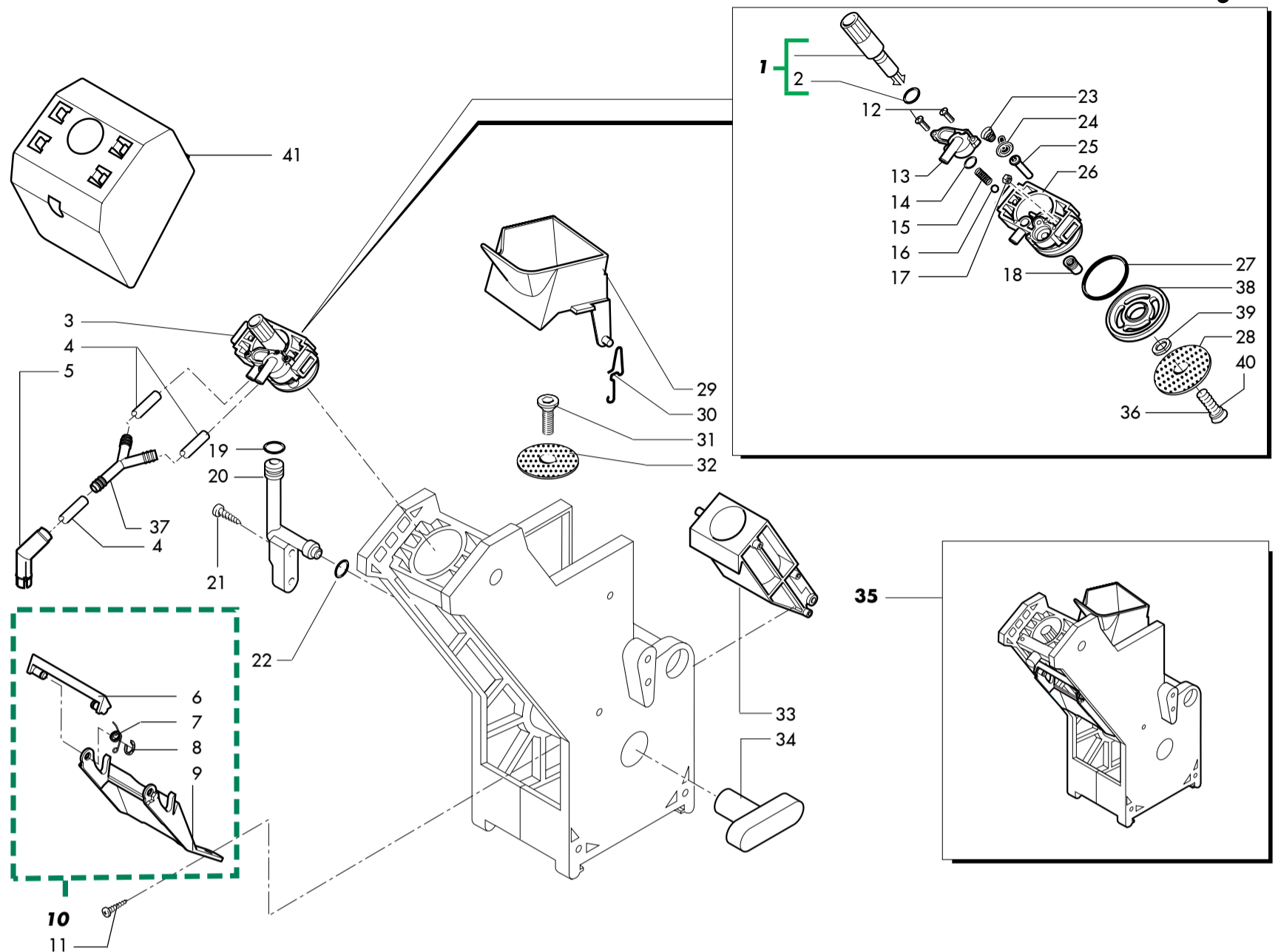




Pos. Code	Description	Note
1	9169.A14.150 Pin For Percolator Grey	
2	NM02.006 Or R5 Termoil	
3	NM01.044 Or Orm 0320-40 Silicone Ptf/Fda	
4	9161.036 Upper Percolator For Unit	
5	11005371 Unit Coffee Muff	
6	129512921 Screw Tcb Torx 10 Ab 2,9X13 Sheet Ss	
7	11010013 Carter For Muff Preheating Unit	
8	9111.537.150 Grey Scraper Coffee Group	
9	9111.520 Spring For Scraper Section 0.6	
10	U701.006 Snap Ring 3,2 Uni 7434	
11	9111.539.150 Fork For Scraper	
12	9110.067.150 Scraper Ass.For Cappuccinat. Tube	
13	U110.013 Screw Aut.Tcb 3,9X6,5 Din 7981 F	
14	140321462 O-Ring 2018 Silicone	
15	9972.057 Silicone Tube 5X8 L.2000Mm	
16	9111.349 Elbow Dispensing Nozzle	
17	322001259 Mobile Scraper Grey Narrow	
18	9161.425 Spring For Scraper	
19	129851921 Tsp Screw M3X6 Uni 7688 Ss	
20	9161.037 Lower Percolator For Unit	
21	11002626 Ass. Coffee Container Grey 9 Gr.	
22	9161.021.060 Key For Brew Unit Brown	
23	11005422 Brew Unit 9 Grams Cristallo600	
24	11013053 Carter For Doser Unit	

Pos. Code	Description	Note

**T.T.T. 10 grammi**



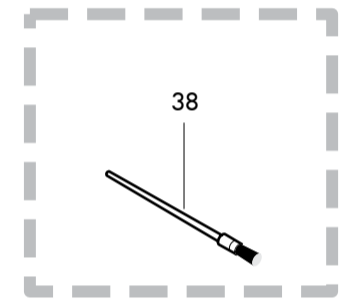
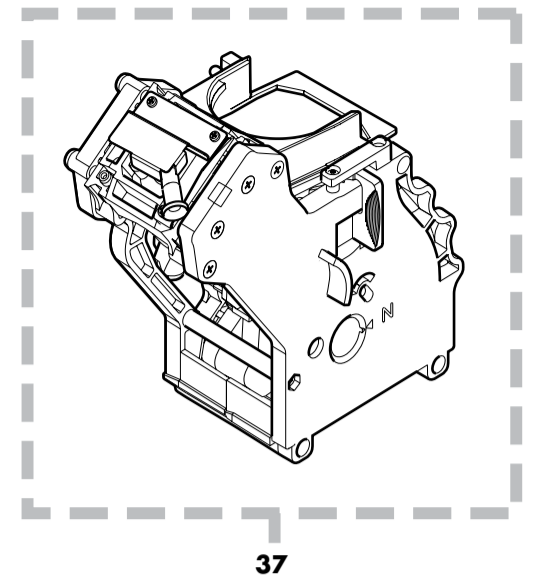
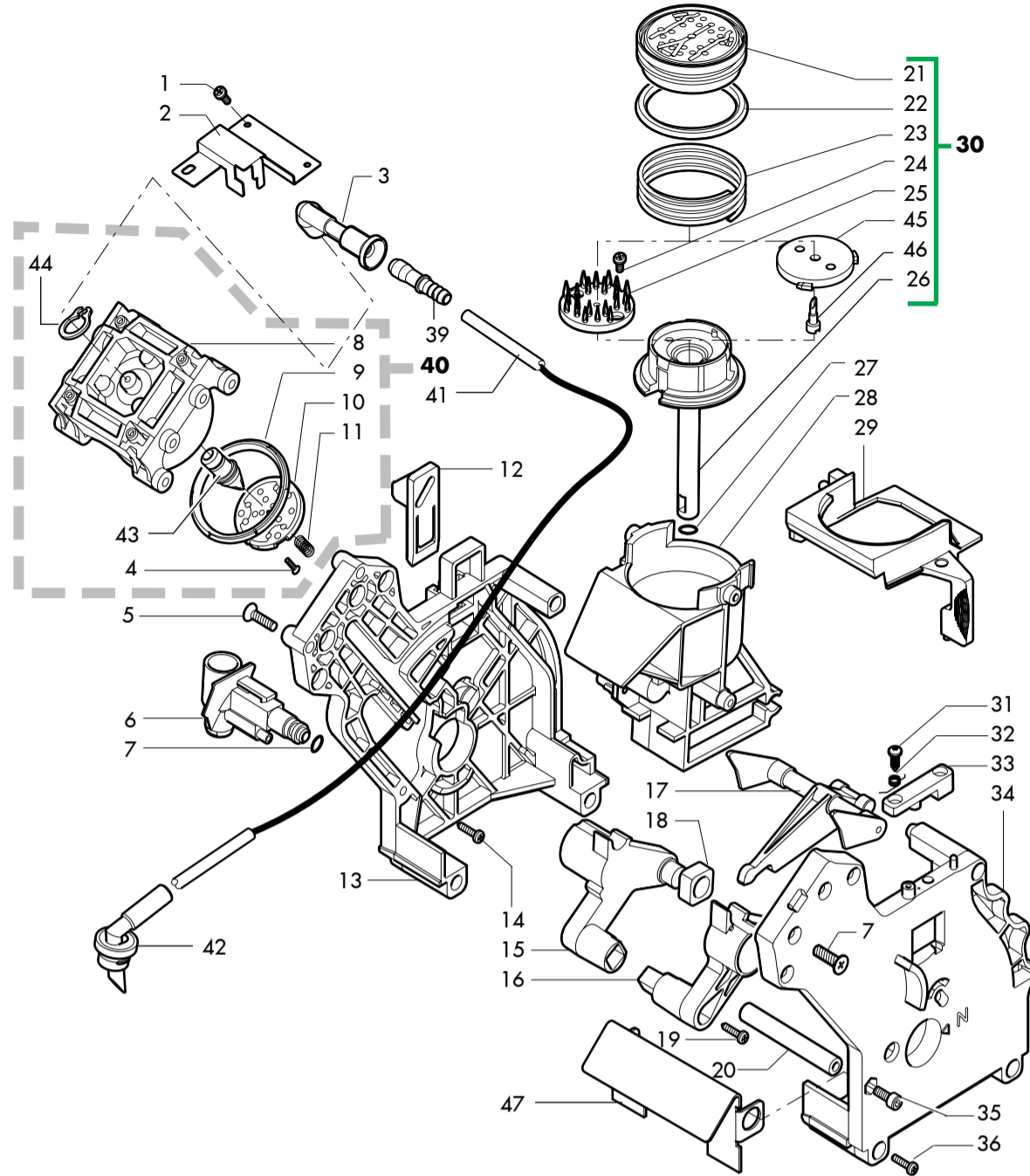
Pos. Code	Description	Note
1	9169.A14.150	Pin For Percolator Grey
2	NM02.006	Or R5 Termoil
3	11032455	Counter Piston
4	9972.057	Silicone Tube 5X8 L.2000Mm
5	9111.349	Elbow Dispensing Nozzle
6	9111.537.150	Grey Scraper Coffee Group
7	9111.520	Spring For Scraper Section 0.6
8	U701.006	Snap Ring 3,2 Uni 7434
9	9111.539.150	Fork For Scraper
10	9110.067.150	Scraper Ass.For Cappuccinat. Tube
11	U110.013	Screw Aut.Tcb 3,9X6,5 Din 7981 F
12	U109.030	Screw Aut.Tcb 2,9X16 Din 7981 C
13	11003470	Lid X Counterpiston Fresh-Brew
14	NM02.013	Or Orm 0080-15 Termoil
15	11007470	Spring For Fs400 Cover Chassis
16	12001650	Sphere Teflon D.5
17	U302.003	Galv.Nut Hexagonal M4 Uni 5589 Zn
18	11003472	Rubber X Unit Fresh-Brew
19	140320461	Or Orm 0080-20 Termoil
20	322000559	Water Flow Piston Grey
21	129512921	Screw Tcb Torx 10 Ab 2,9X13 Sheet Ss
22	140321462	O-Ring 2018 Silicone
23	11002603	Sping For Membrane
24	11002625	Membrane
25	11003471	Pin For Membrane Fresh-Brew
26	11003469	Counterpiston Fresh-Brew
27	NM01.044	Or Orm 0320-40 Silicone Ptfе/Fda
28	11031174	Upper Percolator For Unit D.36
29	11003529	Hopper Doser Unit Fresh Brew
30	126836618	Spring H=28 New For Scraper
31	129851921	Tsp Screw M3X6 Uni 7688 Ss
32	9161.037	Lower Percolator For Unit
33	11002626	Ass. Coffee Container Grey 9 Gr.
34	9161.021.150	Key For Brew Unit Grey
35	11031899	Brew Unit 6,5Grams Fresh Brew Autobar
36	129852821	Tsp Screw M3X14 Uni 7688 Ss
37	147920800	Y Connector D=8 Art.80.26.048 Ka.466
38	11031839	Spacer For Doser Unit Fresh Brew
39	U207.003	Plain Washer 3,2X7 Uni 6592 Galv.
40	U044.021	Screw Tsp M3,0X20 Uni 7688 Ss
41	11013053	Carter For Doser Unit

Pos. Code	Description	Note
-----------	-------------	------



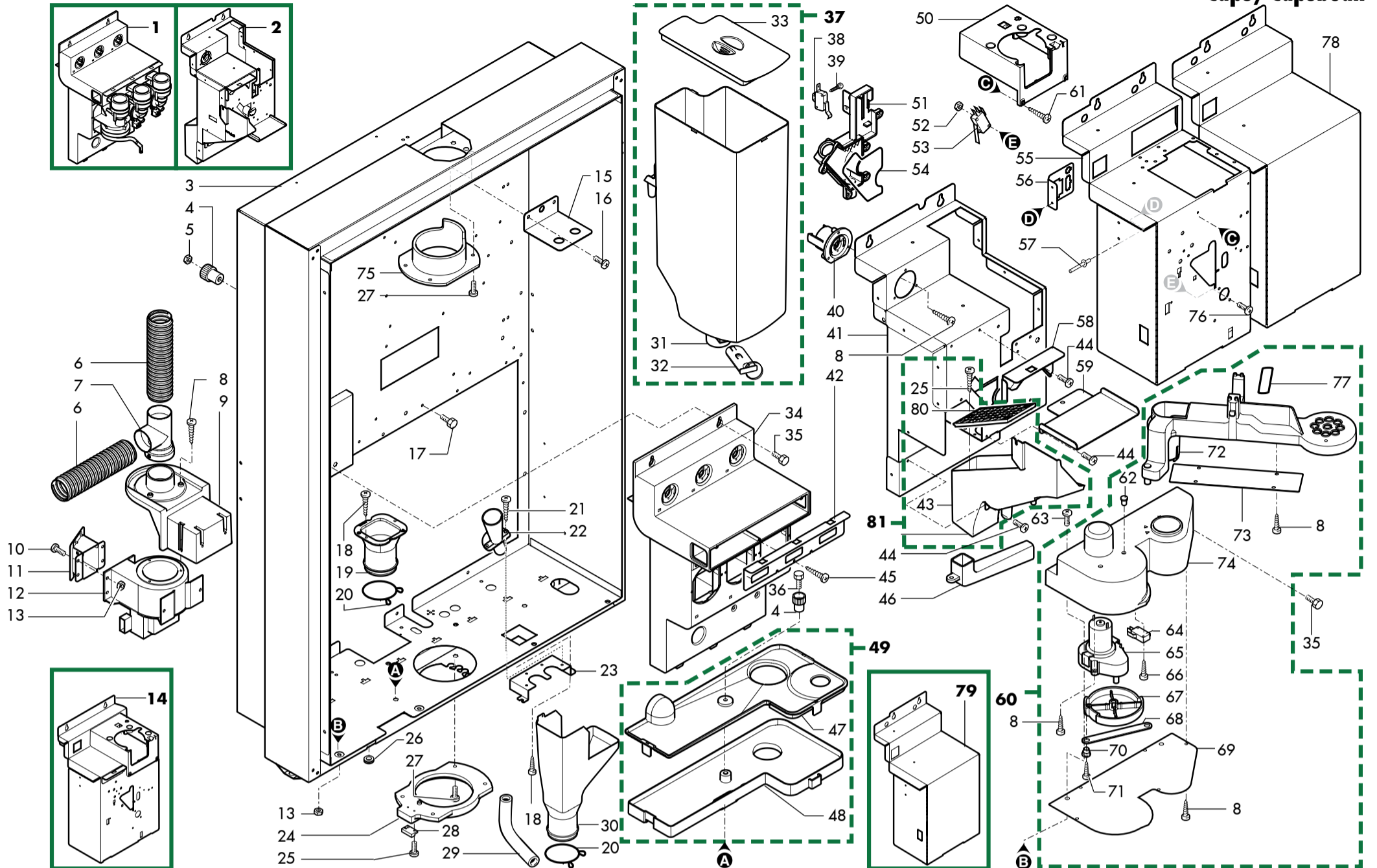
**VENDING MACHINE ATLANTE 700 EVO**

**Caps**



Pos. Code	Description	Note
1	129512921 Screw Tcb Torx 10 Ab 2,9X13 Sheet Ss	
2	11031906 Plate	
3	11004586 Blk Coffee Outlet Conveyor Ocs	CA
3	9161.356 Blk Coffee Outlet Conveyor Lav.	LB
4	129912621 Screw Pt Kb 30X8 Wn 1413 Inox A2	LB
5	129911721 Screw Tsp Torx 4X16 Plast Steel	
6	9161.064.150 Grey Water Inlet Sleeve Brew Unit Royal	
7	NM02.007 Or 2025 In Termoil	
8	11013418 Blk Coff.Capsule Fixed Container V3 Lav.	LB
8	421941306941 Grey Coffee Caps.Fixed Container Atl700	CA
9	11031760 Seal For Brew Unit Caps	LB
9	421941306911 Seal For Brew Unit Caps Ca	CA
10	11031226 Piercer Group Caps	LB
11	126773518 Ss Spring For Coffee Capsule Lav.	LB
11	421941306921 Spring For Steel Pierce Bu Capsule Ca	CA
12	9161.373.150 Grey Brew Unit Coupling Plate Smart	
13	11013396 Black Brew Unit Rear Plate V3 Lav.	
14	12000550 Screw Tcb Torx 10 3X25 Plast.Ss	
15	120080722 Alum.Female Elbow Shaft	
16	120080622 Alum.Male Elbow Shaft	
17	11032146 Grey Brew Unit Connecting Rod Caps	
18	9161.094.050 Black Brew Unit Drilled Block	
19	129574421 Screw Tcb Ph/Tt 4X20 Uni 8112 St.St	
20	9161.298 Brass Spacer	
21	11011770 Casing To Movable Drilling Plate V3 Lav.	LB
21	142906059 Casing To Movable Drilling Plate	CA
22	11026624 Lip Seal For Caps.Expeller Piston V4 Lav	LB
22	145855700 Lip Seal For Expeller Piston Ocs	CA
23	126772418 Coff.Capsule Expeller Piston Spring Lav.	LB
23	126774118 Spiral Spring For Piston Expeller	CA
24	129910921 Screw Tcb Torx 10 3X10 Ss	LB
25	149198000 Coffee Caps.Lower Drilling Support Lav.	LB
26	229211859 Coffee Capsule Expeller Piston Lav.	LB
26	229211959 Coffee Capsule Expeller Piston Ocs	CA
27	NM02.018 Or Orm 0090-25 Termoil	
28	421941306881 Mobile Cont. Bu Caps V3 Atl 700 Assy	LB
28	421941306901 Mobile Container Bu Ocs Caps Atl700 Assy	CA
29	11031018 Hopper Coffee Group	
30	11026626 Piston Expeller Coffee Capsule V4 Assy.	LB
30	227661000 Piston As.Expeller Coff.Capsule Ocs Assy	CA
31	12000895 Screw Tsp Torx 10 3X10 Plast.Ss	
32	9161.378 Ss Hopper Spring For Brew Unit Smart	
33	9161.374.150 Gry Brewunit Hopper Blocking Plate Smart	
34	11014199 Blk Brew Unit Front Plate V3 S/Scr.Lav.	
35	U023.011 Screw Tcei M4,0X10 Uni 5931 Ss A	
36	12000897 Screw Tcb Torx 10 3,5X20 Plast.Ss	
37	11031702 Coffee Group V4 Atlante Caps Blk	LB
37	11032374 Black Brew Unit V2 Atlante Caps Ca	CA
38	127390100 Brush For Cleaning	
39	1040.028.050 Std Toothed Connect. F3/8X09	
40	11031829 Coff.Capsule Fixed Cont.V3 Atl700 Assy.	LB

Pos. Code	Description	Note
41	11032617 Silicone Tube 3,5X6 L=285 Mm	
42	11031990 Nozzle	
43	421941306931 Stainless Steel Piercer Outlet Coffee Ca	CA
44	120340421 Elast.Shaft Retain.Ring D=5 Uni7435	CA
45	149203000 Lower Coff.Capsule Drilling Support Ocs	CA
46	122908721 Stainless Steel Piercer Inlet Water Ocs	CA
47	11032349 Anti-Overturning Plate	



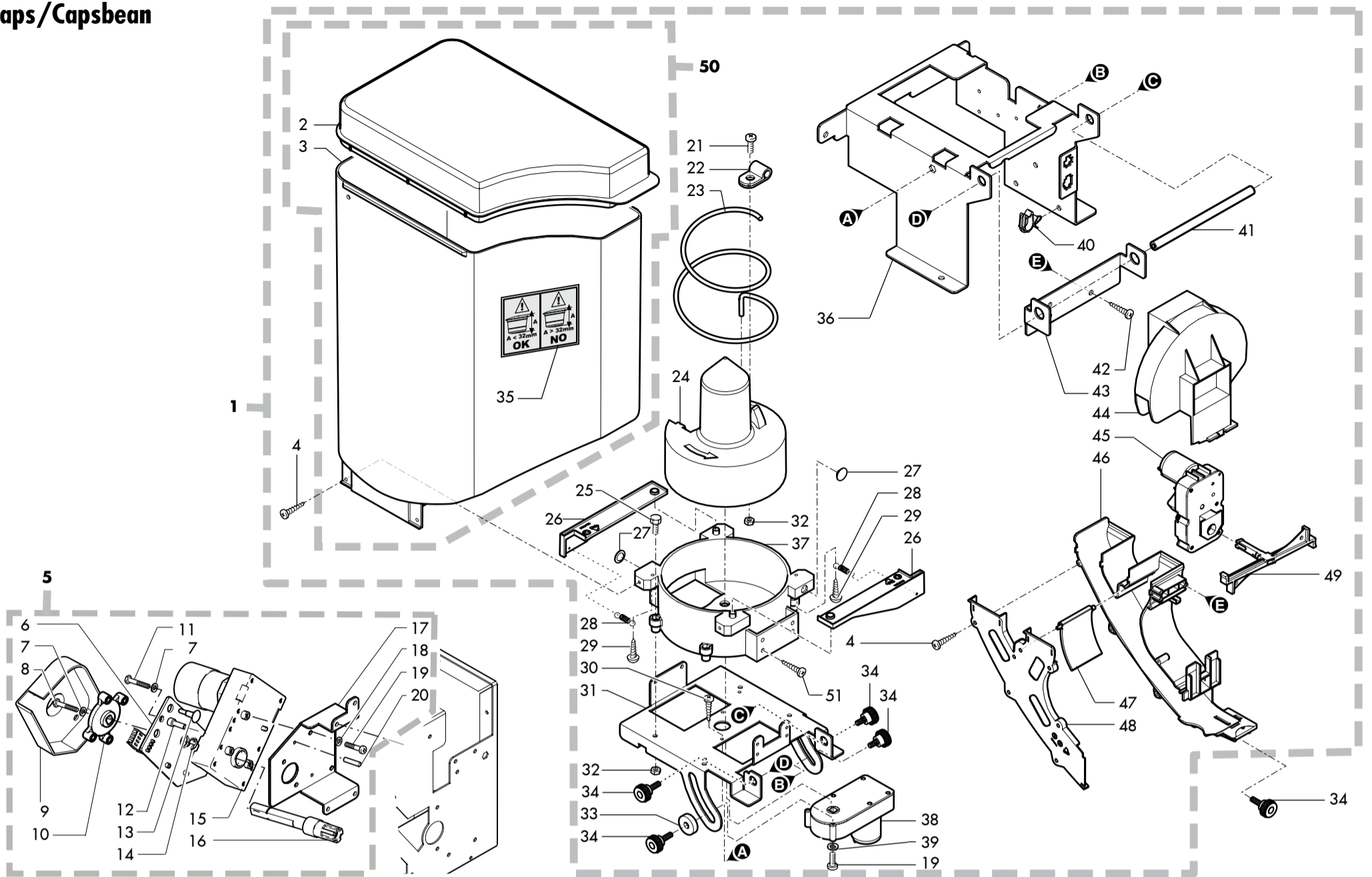
Pos. Code	Description	Note
1	11008243	Ass. Module 3 Motor
2	11031059	Motor Module Caps
3	11032480	Revolving Plate Skin Atl700
4	9111.307.270	Stirrer Plate Knob 8P
5	123160502	Galvanized Nut M5 High Uni 5587-68
6	0894.009	Spiral Tube D.32 L=280 Mm
7	9111.640.060	Tube Connector
8	U116.006	Screw Aut.Pt Tcb 3,5X12 Wn 1441 Znp
9	9111.732.A20	Support
10	U043.015	Screw Tcbc M5,0X12 Uni 7687 Galv.
11	11009123	Ass.Channel Fan Aspiration
12	9121.198.00A	Centrifugal Fan Cap 07
13	U324.003	Nut M5 Flanged Indented Base
14	11031058	Ass. Module Coffee 1 Grind Caps
15	11009909	Support Coffee Container Sg650
16	U127.011	Screw Tapt.Tcb M5,0X8 Din 7500C
17	129720902	Te Screw M5X10 Uni 5739 Znp
18	U110.005	Screw Aut.Tcb 3,9X9,5 Din 7981 F
19	11031007	Conveyor Dump
20	0862.112	Grounds Sack Ring 8P
21	U110.003	Screw Aut.Tcb 3,5X9,5 Din 7981 F
22	9111.527.050	Tube Conveyor Coffee Discharge
23	11032516	Dumping Support
24	11008265	Lower Flange Of Rotation
25	U116.005	Screw Aut.Pt Tcb 3,0X8 Wn 1441
26	NE16.002	Grommet D.11X20,5Xh.7
27	U044.011	Screw Tspc M5,0X16 Uni 7688 Galv.
28	1863.649	Reed For Door
29	11013949	Flexible Tube D.21 L.350Mm
30	0862.111.050	Grounds Duct
31	9111.724	Container For Coffee Bean
32	11010736	Ass.Guillotine Coffee
33	9111.728	Cover For Coffee Container
34	11008244	Module 3 Motor
35	U046.001	Screw Tefz M5,0X16 Uni 6921 Galv.
36	129724305	Te Screw M5X40 Uni 5739 Znp
37	9110.139	Coffee Cont. Ass.
38	NE05.050	Microswitch
39	U116.004	Screw Aut.Pt Tcb 3,0X16 Wn 1441
40	11001574	Flange Fixing Ratiomotor Lip
41	11031039	Coffee Module
42	11008245	Aspiration Steel Sheet At 3
43	11032453	Conveyor Expire Capsuls
44	U127.005	Screw Tapt.Tcb M4,0X8 Din 7500C
45	U116.003	Screw Aut.Pt Tcb 3,0X12 Wn 1441
46	11031764	Conveyor Discharge
47	11025813	Boiler Case Atlante650 Brown
48	11025812	Case Of Condense Atl650 Brown
49	11008270	Case Of Condense
50	11008262	Grind Support
51	11031002	Conveyor Dump Discharge

Pos. Code	Description	Note
52	U324.005	Nut M3 Flanged Indented Base
53	NE05.018	Microswitch
54	11031225	Special Seal
55	11031033	Coffee Module 1 Grind
56	11009912	Connector Support Sg650
57	NF11.115	Blind Rivets
58	11031044	Container Coupler
59	11031042	Sheet Metal Support Group Caps
60	11008186	Arm Support Ass.
61	U110.002	Screw Aut.Tcb 3,5X13 Din 7981 F
62	9161.305.150	Grey 8Gr.Brew Unit Integral Piston Plug
63	U043.031	Screw Tcbc M5,0X40 Uni 7687 Galv.
64	NE05.002	Microswitch
65	11025284	Motoriduttore Fiber 37Rpm
66	U110.012	Screw Tc Wn1412 /Bn13577 Zinc Bia Ka 3X2
67	11008188	Cam Arm
68	11008241	Connecting Rod Arm
69	11008240	Support Arm Plate
70	9111.204	Bush For Spring Compensate Stirrer
71	U116.002	Screw Aut.Pt Tcb 3,5X16 Wn 1441
72	11008187	Nozzle Arm
73	11008242	Support Arm Plate
74	11008189	Support Arm
75	11008268	Upper Pin Of Rotation
76	129824002	Tcb Screw M4X10 Uni 7687 Znp
77	140321762	O-Ring 3218 Silicone
78	11032451	Plate For Module Closing Coffee Grinder
79	11032469	Module Coffee For Monocapsula
80	11032241	Grate
81	11032831	Conveyor Expire Capsuls



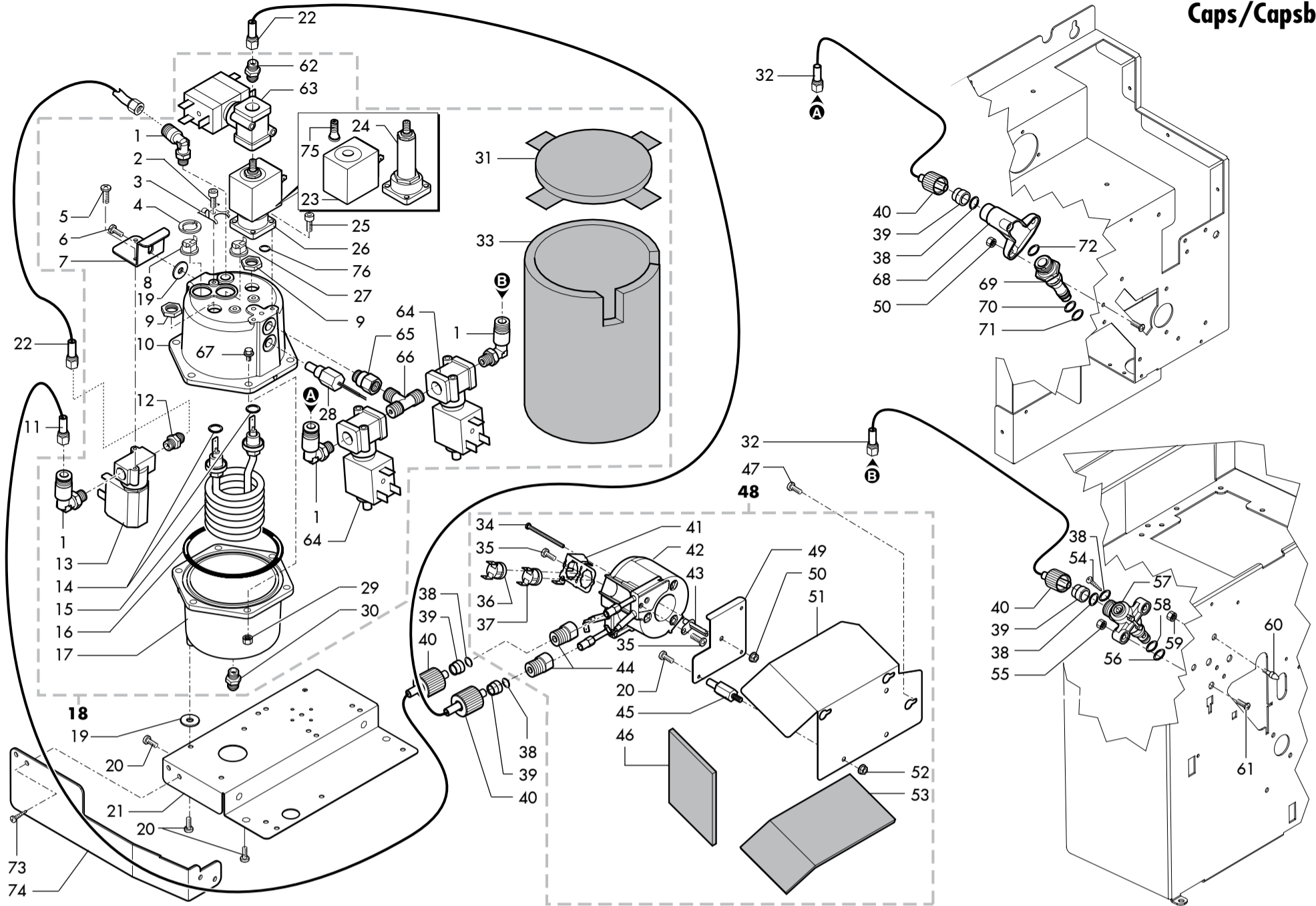


**Caps/Capsbean**



Pos. Code	Description	Note	
1	11032832	Loader Complete Atlante Capsbean Evo	LB
1	11032833	Loader Complete Atlante Caps Ca Evo	CA
2	11031009	Cover Container	
3	11031008	Container	
4	U116.006	Screw Aut.Pt Tcb 3,5X12 Wn 1441 Znp	
5	11031060	Ratiomotor Group Caps	
6	11002134	Card 2 Sensor Ratiomotor	
7	U207.002	Plain Washer 4,3X9 Uni 6592 Gal	
8	U005.010	Screw Te M4,0X14 Uni 5739 Galv.	
9	11002211	Card Protection Ratiomotor	
10	11031224	Cam	
11	U005.012	Screw Te M4,0X30 Uni 5739 Galv.	
12	11002964	Space For Central Card 2 Sensory	
13	NL04.014	Spacer Card H=9,5	
14	120340804	El. Shaft Retain.Ring D=8 Uni 7435	
15	12000232	Lip Ratiomotor St.112B 24Vdc 11Rpm	
16	11002133	Joint With Shaft For Ratiomotor	
17	11031770	Support Plate Motor	
18	128310404	Washer Uni 8842 A4 Burnished	
19	129824002	Tcb Screw M4X10 Uni 7687 Znp	
20	U407.001	Elastic Pin 3,0X20 Uni 6874	
21	129825002	Tcb Screw M4X20 Uni 7687 Znp	
22	12001926	Cable Clamp Screw Fastening 6571 Aa00	
23	11031030	Special Spring	
24	11032145	Rotore Caps	LB
24	11032373	Rotore Caps Ca	CA
25	129720102	Te Screw M4X20 Uni 5739 Znp	
26	11031024	Safety Lever Caps	
27	NV01.006	Adhesive Foot	
28	9111.397	Spring For Tray /Lever Coin Recove	
29	U142.008	Panelvit Tsp 3,5X12 Din 7505 A Gal	
30	U140.017	Panelvit Tcb 3,0X20 Din 7505 B Gal	
31	11032699	Support External Rotor	
32	U324.006	Nut M4 Flanged Indented Base	
33	11008644	Lock Pin	
34	12002031	Knob D.18 M5X15	
35	15004268	Adhesive Height Capsule Caffitaly	CA
36	11032710	Support Sheet Metal Caps	
37	11031027	Supporto Esterno Rotore Caps	
38	11031752	Ratiomotor 24V Caps	
39	U207.004	Plain Washer 4,3X16 Uni 6592 Gal	
40	NE17.013	Cable Retainer	
41	11032533	Rotation Pin	
42	U110.002	Screw Aut.Tcb 3,5X13 Din 7981 F	
43	11032534	Support Channel Loader	
44	11031025	Stirrer Drain Cover	
45	11031062	Ratiomotor 24V Caps	
46	11031022	Channel Conveyor Caps	LB
46	11032638	Channel Conveyor Caps Ca	CA
47	11031021	Switch Channel Conveyor	
48	11031023	Cover Conveyor Caps	

Pos. Code	Description	Note	
49	11031026	Stirrer Drain Caps	
50	11032669	Container	

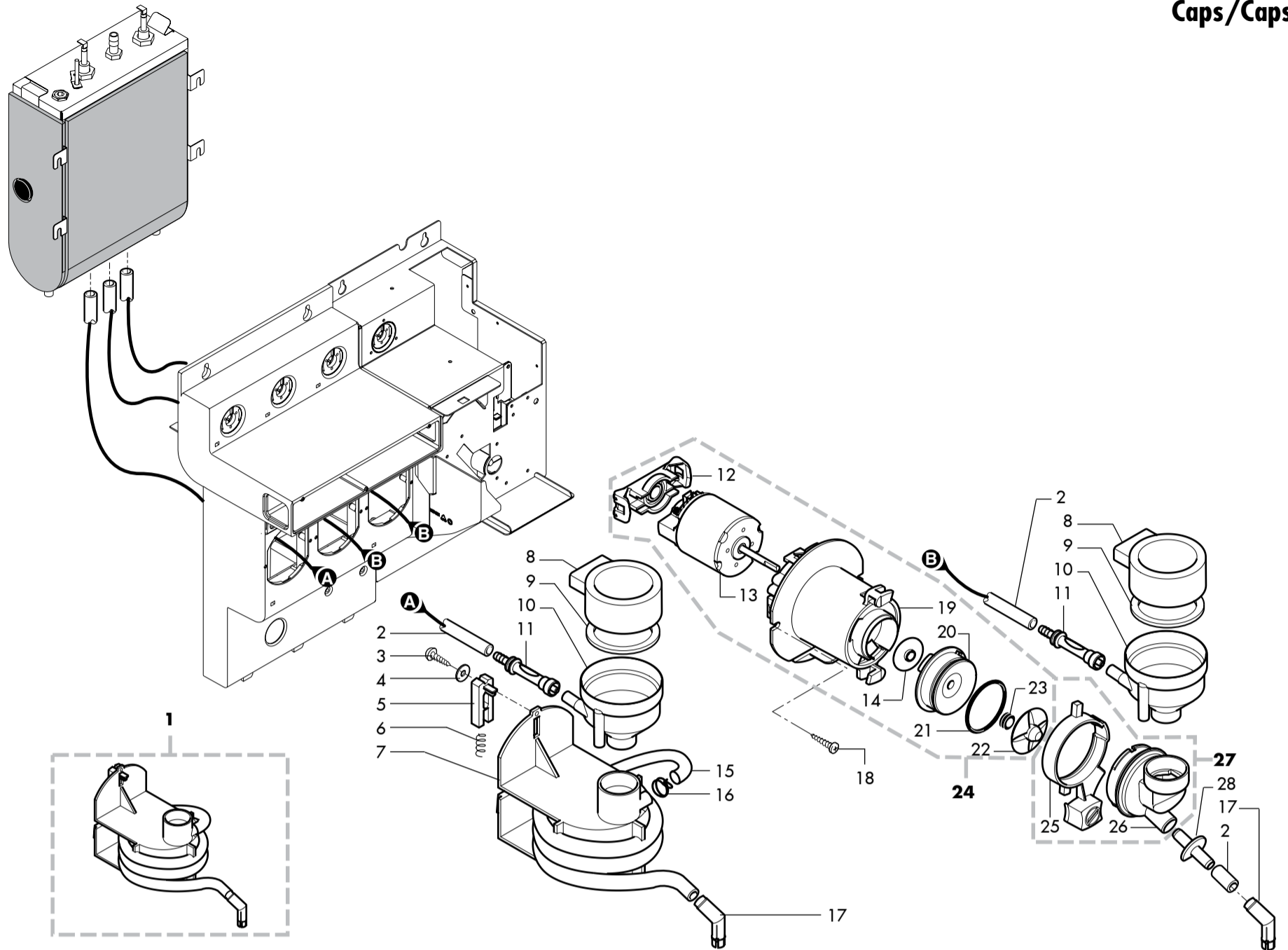


Pos. Code	Description	Note
1	12001181	Biconical Connect. L M 1/8X06 Tea
2	12001052	Screw Tcei M4,0X6 Din 912 Zin
3	226760100	Retaining Spring 3 Thermostats
4	9991.085	Thermostat Fixing Washer
5	U043.007	Screw Tcbc M3,0X8 Uni 7687 Galv.
6	U043.008	Screw Tcbc M5,0X10 Uni 7687 Galv.
7	11008287	Electrovalve Support
8	NE09.021	Thermostat 150°Nc Faston 90°
9	9991.029	Nut For Resistor
10	11012528	Upper Casing Boiler 600Cc Tea
11	11025410	Tube Assembly Teflon 3X6 L.330Mm
12	9991.059	Straight Bicone Connector M 1/8X06
13	12001230	Electrovanne 2 Voies 24V Dc Tea
14	11000972	Or Orm 3050 Fkm 80 Fd Peroxidica
15	11005367	Heat Element Boiler 230V 1550W
16	12000770	Or Orm 4350 Viton
17	11012529	Lower Casing Boiler 600Cc Tea
18	11031827	Double Boiler Caps Atl700 230V 50Hz Tea
19	9111.501	Insulation Washer
20	12002039	Screw Tcbd Torx 20 M4X12 Zn-B
21	11008250	Boiler Support
22	11009782	Tube Ass. For Elettrovalve 3 Way
23	20006583	Coil Evt Hs2 11012534
24	20006584	Spare Parts Valve Casing 11005360
25	12001179	Screw Tcei M4,0X12 Uni 5931 8.8 Zin.
26	11012533	Electrovalve 3/2 Way N.C. W/Steam Tea
27	189428700	Thermostat 175° 1Nt-15L-5126
28	11005368	Immersion Probe Ass.
29	U302.004	Nut Hexagonal M6 Uni 5588
30	11027089	Water Inlet Connector
31	11030776	Coffee Boiler 600Cc Upper Isolator
32	11025409	Tube Assembly Teflon 3X6 L.220Mm
33	11030778	Coffee Boiler 600Cc Upper Isolator
34	U043.033	Screw Tcbc M4,0X60 Uni 7687 Znp
35	129573202	Screw Tcb Torx 20 M4X8 Autoforming Zn-B
36	12000804	Thermostat 190° 1Nt-08L-6067
37	11005558	Thermostat 190° Nc Faston 90°
38	140321462	O-Ring 2018 Silicone
39	11005741	Connector D.6
40	11005743	Knurled Female Hand Bolt M14
41	11007907	Tub.Boiler V5 Side Thermos.Fixing Spring
42	282058758	V2 Tub.Boiler N/Addit.Resist.1100W 230V
43	11009589	Steam Probe Sg650
44	11008257	Steam Boiler Connector
45	9111.325	Nozzle Support Pin
46	11011724	Side Steam Boiler Isolator
47	U127.011	Screw Tapt.Tcb M5,0X8 Din 7500C
48	11008266	Ass.Steam Boiler
49	11008251	Steam Boiler Support
50	U324.006	Nut M4 Flanged Indented Base
51	11010727	Boiler Cover

Pos. Code	Description	Note
52	U324.004	Nut M6 Flanged Indented Base
53	11011726	Steam Boiler Isolator
54	U109.037	Screw Aut.Tcb 4,8X13 Din 7981 C
55	U302.003	Galv.Nut Hexagonal M4 Uni 5589 Zn
56	11013174	Or Orm 0050-20 Fkm 80 Fd Green Peroxida
57	11032620	Pin For Muff
58	11013173	Or Orm 0090-20 Fkm 80 Fd Green Peroxida
59	U324.003	Nut M5 Flanged Indented Base
60	11006046	Peg For Boiler
61	U044.013	Screw Tspc M4,0X12 Uni 7688 Galv.
62	9991.133	Straight Conn. 1/8 D6 With Or
63	11032339	"Ev 2 Way 1/8" 24V Dc Tea D. 2,3Mm"
64	11023762	Electrovalve Olab 3 Ways 24V Dc Tea
65	11031852	Connector 1/8 Gas M/F Tea Caps
66	11011454	Connector For Boiler Tea"
67	U023.020	Screw Tcei M6X20 Uni 5931 Zin
68	11031031	Sleeve Caps
69	9011.100	Peg For Valve In Plastic
70	NM01.035	Or Orm 0090-20 Silicone
71	NM01.057	Or Orm 0050-20 In Silicone
72	140320459	Or Orm 0080-20 Silicone Ptf/Fda
73	U110.004	Screw Aut.Tcb 3,5X6,5 Din 7981 F
74	11032518	Fixing Support Boiler-Plate
75	20006974	Mobile Nucleus Olab 8000-836
76	20007312	Spare Or Evt Hs2 11012534







Pos. Code	Description	Note	
1	1863.A10	Ass.Mixer Fs400	
2	9972.057	Silicone Tube 5X8 L.2000Mm	
3	U116.005	Screw Aut.Pt Tcb 3,0X8 Wn 1441	
4	U207.004	Plain Washer 4,3X16 Uni 6592 Gal	
5	9111.209.060	Cursor For Spiral Mixer Fixing	
6	9111.211	Spring For Mixer Cursor	
7	9111.643.060	Rapid Fixing Mixer	
8	9111.010.060	Lid For Funnel Brown	
9	9111.011.060	Seal For Funnel Brown	
10	9111.009.060	Funnel For Powders Brown	
11	11011394	Nozzle Ass. Espresso D.3	
12	9111.771.270	Motor Coupling Orange Ral	
13	9121.248.00P	Mixer Motor '05 24V Dc	
14	9111.773.060	Motor Protection Ring	
15	9972.055	Silicone Tube 7X11 L.2000Mm	
16	NV99.072	Hose Clamp D. 11.6/12.3	
17	9111.349	Elbow Dispensing Nozzle	
18	U116.006	Screw Aut.Pt Tcb 3,5X12 Wn 1441 Znp	
19	9111.769.150	Mixer Flange	
20	9111.770.060	Cover Mixer Flange	
21	NM03.012	Or Orm 0320-25 Nbr	
22	9111.772.060	Disk Fan	
23	NM05.015	V-Ring Mixer '05	
24	9110.160.06P	Ass.Mixer '05 24V Dc	
25	9111.230.270	Mixer Locking Ring Nut Orange Ral	
26	9111.227.060	Mixer Casing	
27	9110.027.060	Mix Casing Ass.	
28	9111.232.060	Std Tube Holder Sleeve	
28	9111.233.060	Decaff.Tube Holder Sleeve	only decaffeinated coffee

Pos. Code	Description	Note