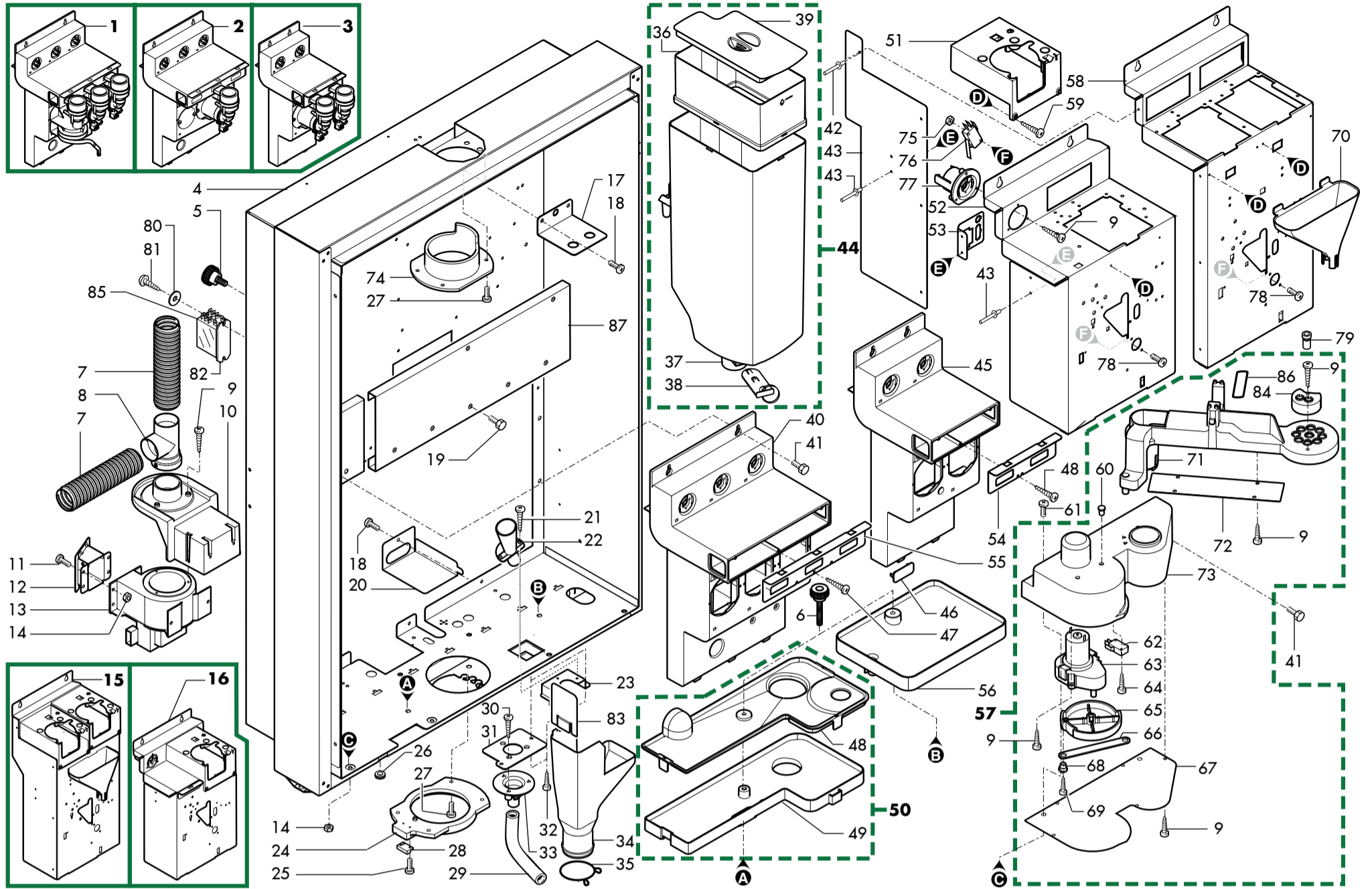


Pos.	Code	Description	Note
1	11009582	Air Break Harness Sg650	
2	9111.623	Lid Tank Air Break	
3	9111.512	Lever For Water Tank	
4	9111.508	Float For Air Break Bowl	
5	NE05.062	Microswitch + Wheel	
6	9111.622	Tank Air Break	instant
6	9111.641	Tank Air Break	espresso
7	U127.011	Screw Tapt.Tcb M5,0X8 Din 7500C	
8	NV03.002	Cap 3/4 Kapsto 800R 3/4	
9	9110.102	Water Tank Ass. Air-Break Sg New	instant
9	9110.134	Water Tank Ass. Air-Break Sg700 M.	espresso
10	9111.632	Rubber For Air Break	
11	11009786	Ass. Air/Break Assemble Sg650	espresso
11	11010386	Ass. Air/Break Assemble Sg650 Instant	instant
12	11008247	Air Break Support	
13	9111.501	Insulation Washer	
14	9110.136.00P	Ass.Electrovalve Inlet Water 24V	
15	9111.670	Omega Support Electrovalve	
16	9121.057.00P	Safety Electrovalve 24V Dc	
17	U110.003	Screw Aut.Tcb 3,5X9,5 Din 7981 F	
18	11007662	Cross Beam Ass. R/L Sides Sg650	
19	11008480	Ass.Interblock	
19	11029119	Interblock 120V Etl	ETL
20	U110.005	Screw Aut.Tcb 3,9X9,5 Din 7981 F	
21	NE16.002	Grommet D.11X20,5Xh.7	
22	NE05.039	Bipolar Microswitch	
22	NE05.061	Microswitch Cherry D413 .V3Ld	120V
23	11008473	Box	
24	11006477	Fs400 Door Pivot For Wheel	
25	11003474	Fs400 Door Wheel	
26	11007638	Ass.Casing To Rivet Sg650	
26	11029070	Ass.Casing To Rivet Atlante Etl	ETL
27	NV01.002	Foot D.34 H.35 With Nut M10	
28	U046.005	Screw Te M5,0X10 With Washer	
29	12000962	Multigrip Rivets 4.8X11	
30	11008614	Ass.Upper Hinge Pivot	
31	U207.013	Plain Washer 6.5X18 Uni 6592 Galv	
32	U046.006	Screw Te M6,0X10 With Washer	
33	11009898	Stop For Door Sg650	
34	0871.126	Screw For Lock Rod	
35	11008644	Lock Pin	
36	11013032	Spacer For Door Brake	
37	U043.016	Screw Tcbc M5,0X16 Uni 7687 Galv.	
38	11008671	Rod Lock Hookup	
39	11009123	Ass.Channel Fan Aspiration	
40	12000780	Screw Tspc M4,0X20 Uni 7688 Galv.	
41	11009677	Bottom Tub Left Sg650	up to s.n.9014ATL0006467
42	11008859	Skirting Band Assembly Sg650	
43	12000031	Bucket Utilplastic 18262 Kouros 1 Black	up to s.n.9014ATL0006467
44	U701.003	Snap Ring 7 Uni 7434	
45	9111.355	Spring For Change Button	
46	11009672	Pin Fixing Revolving Plate	

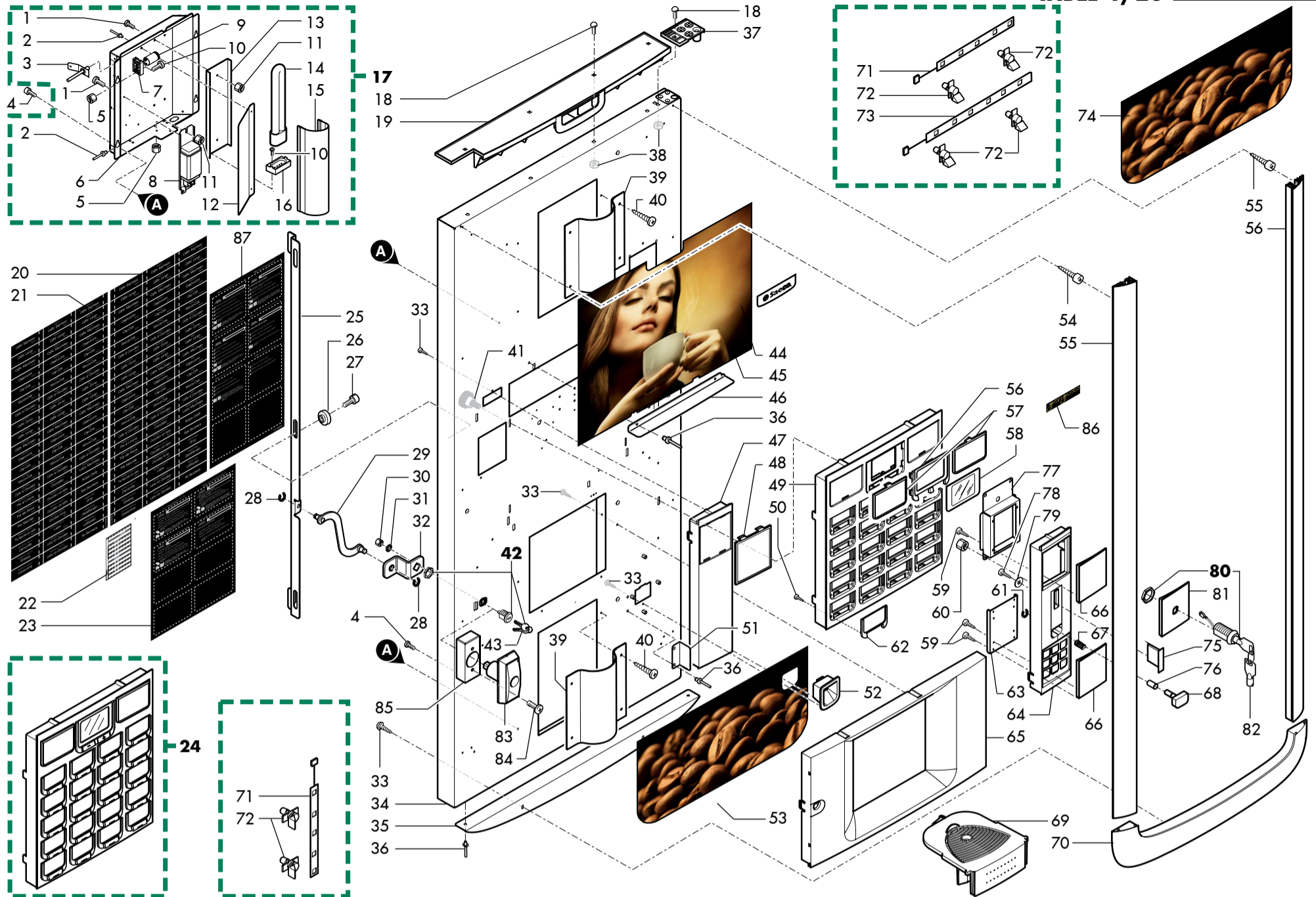
Pos.	Code	Description	Note
47	1431.003	Keyholder Ring	
48	11008669	Lower Hinge Plate Sg650	
49	11008668	Lower Hinge Sg650	
50	U208.009	Toothed Washer 8,4X15 Uni 3703	
51	12001174	Screw Tcei M8X35 Uni 5931 Zin	
52	11009852	Bottom Tub Right Sg650	
53	U109.011	Screw Aut.Tcb 3,9X9,5 Din 7981 C	
54	15004269	Adhesive Number Of Cycles Capsules	
55	U043.008	Screw Tcbc M5,0X10 Uni 7687 Galv.	
56	NE05.041	Microswitch	
57	9111.407	Micro Plate	
58	U324.005	Nut M3 Flanged Indented Base	
59	9111.148	Elastic Ring For Float	
60	11032614	Support Micro Floating	
61	NF11.041	Pin For Skirting	
62	11009608	Chain For Afloat L.250Mm Sg650	
63	9111.147	Counterweight For Float	
64	9111.130	Float For Discharge Level	
65	11008255	Upper Cross Ass.	
66	U324.003	Nut M5 Flanged Indented Base	
67	11008267	Flangia Superiore Di Rotazione	
68	11007667	Roof Cross Beam X Plate Revolving Sg650	
69	U043.015	Screw Tcbc M5,0X12 Uni 7687 Galv.	
70	11009671	Pin Support Fixing 90°	
71	11009607	Tube Conveyor Liquids Discharge Central	
72	11014050	Flexible Tube D.21 L.250Mm	
73	11031028	Lower Cross	
74	9991.093	Magnet D=9,5 X H=1,5	
75	11032670	Fixing Plate Sidebucket	
76	11008476	Cover Rinforce	
77	11008477	Cover	
78	11008260	Lower Bush Of Rotation	
79	12002042	Bucket Utilplastic 328X250X300 Black	from s.n.9014ATL0006468
80	NE13.046	Socket 2 Pole + Earth 08168600W	
81	11032653	Bottom Tub Left Sg650	from s.n.9014ATL0006468
82	U116.006	Screw Aut.Pt Tcb 3,5X12 Wn 1441 Znp	
83	129516803	Screw Tcb3,5X19 Din 7981 Nick	
84	11012508	Air Deflector Plate Atlante	
85	11010659	Spacer For Deflector	
86	U109.005	Screw Aut.Tcb 3,5X16 Din 7981 C	
87	12001922	Ass.Docetta C/Tubo Raccordato E Supp.	HFB
88	12001921	Rubber Holder 8Mm John Guest	HFB
89	12001920	Head Filtre Brita Johnguest 8Mm	HFB
90	U043.014	Screw Tcbc M5,0X20 Uni 7687 Galv.	
91	1414.001	Water Softener 8 L	
92	11011627	Band For Purifier Fixing Sg650	
93	NR07.059	Std Toothed Connector F3/8X09	
94	11013056	Atlante Decalcify Raised	
95	11031046	Omega	
96	11031719	Support Rotation	
97	11031048	Plate Support Center Rotation Caps	
98	11031757	Assembly Container Support Side	



Pos. Code	Description	Note	
1	11008243	Ass. Module 3 Motor	
1	11022698	Ass. Module 3 Motor Atlante	DACH
1	11024169	Ass. Module 3 Motor Atlante500 1C	TTT
1	11029114	Ass. Module 3 Motor Ttt 120V Etl	ETL
2	11010385	Mixer Module Ass. Sg650 Instant	instant
3	11008258	Ass. Module 2 Motor	
3	11029156	Ass. Module 2 Motor	ETL
3	11030335	Ass. Module 2 Motor	TTT
4	11032480	Revolving Plate Skin Atl700	
5	12002030	Knob D.18 M5X10	
6	12002032	Knob D.18 M5X40	
7	0894.009	Spiral Tube D.32 L=280 Mm	
7	1843.015	Spiral Tube L.500	instant
8	9111.640.060	Tube Connector	
9	U116.006	Screw Aut.Pt Tcb 3,5X12 Wn 1441 Znp	
10	9111.732.A20	Support	
11	U043.015	Screw Tcbc M5,0X12 Uni 7687 Galv.	
12	11009123	Ass.Channel Fan Aspiration	
13	11003905	Centrifugal Fan 120V Ui	120V
13	9121.198.00A	Centrifugal Fan Cap 07	
14	U324.003	Nut M5 Flanged Indented Base	
15	11008263	Ass. Module 1 Grind	espresso 2M
16	11008261	Ass. Module Coffee 1 Grind	espresso 1M
16	11029113	Ass. Module Coffee 1 Grind Ttt 120V Etl	ETL
16	11030336	Ass. Module Coffee 1 Grind Ttt 230V	TTT
17	11009909	Support Coffee Container Sg650	espresso
18	U127.011	Screw Tappt.Tcb M5,0X8 Din 7500C	
19	129720902	Te Screw M5X10 Uni 5739 Znp	
20	11010729	Tube Support Sg650	instant
21	U110.003	Screw Aut.Tcb 3,5X9,5 Din 7981 F	
22	9111.527.050	Tube Conveyor Coffee Discharge	espresso
23	11008475	Dumping Support	espresso
23	11032516	Dumping Support	up to s.n. 9014ATL0006022 from s.n. 9014ATL0006023
24	11008265	Lower Flange Of Rotation	
25	U116.005	Screw Aut.Pt Tcb 3,0X8 Wn 1441	
26	NE16.002	Grommet D.11X20,5Xh.7	
27	U044.011	Screw Tspc M5,0X16 Uni 7688 Galv.	
28	1863.649	Reed For Door	
29	11013949	Flexible Tube D.21 L.350Mm	espresso
29	11021498	Flexible Tube D.11,5-14,5 L.360Mm	instant
30	U111.005	Screw Aut.Tsp 3,9X9,5 Din 7982 C	
31	11010728	Funnel Support	instant
31	11032515	Funnel Support	up to s.n. 9014ATL0006022 from s.n. 9014ATL0006023
32	U110.005	Screw Aut.Tcb 3,9X9,5 Din 7981 F	
33	9111.446.050	Funnel For Mixer Tray	instant
34	0862.111.050	Grounds Duct	espresso
35	0862.112	Grounds Sack Ring 8P	
36	11001581	Extension Tank Coffee	espresso 1M
37	9111.724	Container For Coffee Bean	espresso
38	11010736	Ass.Guillotine Coffee	espresso
39	9111.728	Cover For Coffee Container	espresso
40	11008244	Module 3 Motor	

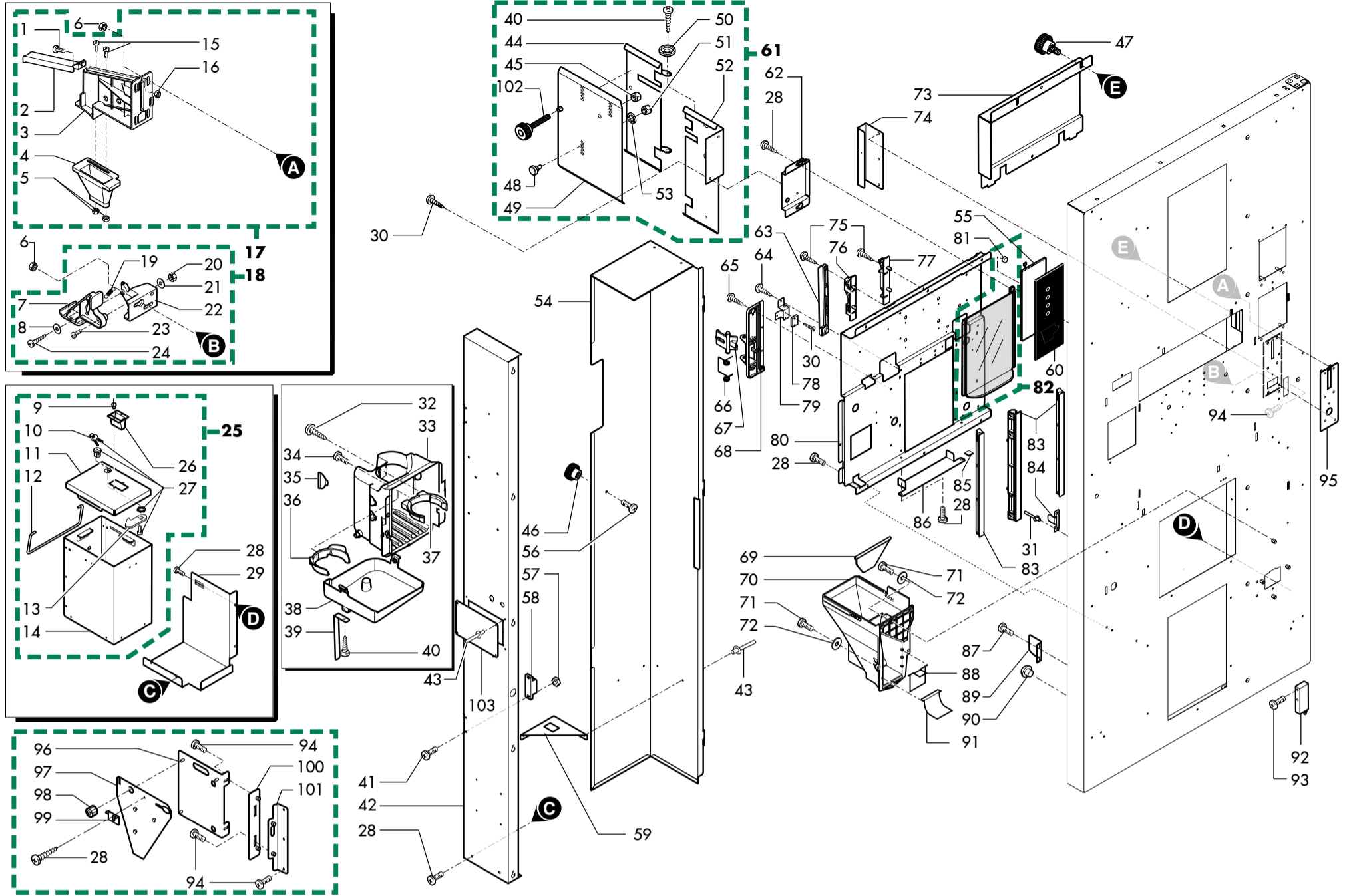
Pos. Code	Description	Note	
41	U046.001	Screw Tefz M5,0X16 Uni 6921 Galv.	
42	NF11.115	Blind Rivets	
43	11008286	Support Pannel	espresso 2M
44	11006485	Coffee Tank Assembly With Extension	
44	9110.139	Coffee Cont. Ass.	
45	11008259	Module 2 Motor	
46	9111.481.060	Column Cap	instant
47	U116.003	Screw Aut.Pt Tcb 3,0X12 Wn 1441	
48	11025813	Boiler Case Atlante650 Brown	
49	11025812	Case Of Condense Atl650 Brown	
50	11008270	Case Of Condense	
51	11008262	Grind Support	espresso
52	11008248	Coffee Module 1 Grind	espresso 1M
53	11009912	Connector Support Sg650	espresso
54	11008246	Aspiration Steel Sheet At 3	
55	11008245	Aspiration Steel Sheet At 3	
56	11026013	Mixer Tray Brown Sg650	instant
57	11008186	Arm Support Ass.	
57	11029123	Arm Support Atl700 Etl	ETL
57	11031749	Arm Support	HFB
58	11008249	Coffee Module 2 Grind	espresso 2M
59	U110.002	Screw Aut.Tcb 3,5X13 Din 7981 F	
60	9161.305.150	Grey 8Gr.Brew Unit Integral Piston Plug	
61	U043.031	Screw Tcbc M5,0X40 Uni 7687 Galv.	
62	NE05.002	Microswitch	
63	11025284	Motoriduttore Fiber 37Rpm	
63	9121.107.00P	Stirrer Ratiomotor Fiber	HFB
64	U110.012	Screw Tc Wn1412 /Bn13577 Zinc Bia Ka 3X2	
65	11008188	Cam Arm	HFB
65	11031823	Cam Arm	HFB
66	11008241	Connecting Rod Arm	HFB
66	11031893	Connecting Rod Arm	HFB
67	11008240	Support Arm Plate	
68	9111.204	Bush For Spring Compensate Stirrer	
69	U116.002	Screw Aut.Pt Tcb 3,5X16 Wn 1441	
70	11032060	Tube Conveyor Coffee Double Grind	espresso 2M
71	11008187	Nozzle Arm	
72	11008242	Support Arm Plate	
73	11008189	Support Arm	
74	11008268	Upper Pin Of Rotation	
75	U324.005	Nut M3 Flanged Indented Base	
76	NE05.018	Microswitch	
77	11001574	Flange Fixing Ratiomotor Lip	espresso
78	129824002	Tcb Screw M4X10 Uni 7687 Znp	
79	11031340	Bush	
80	U201.001	Plain Washer 3,2X9 Din 7349 Galv.	
81	U110.011	Screw Aut.Tcb 2,9X9,5 Din 7981 F	
82	12001124	Relay Finder 056.26	
83	11002131	Carter For Mixer Tank	HFB
84	11031748	Cartegho Nozzles Support	HFB
85	1484.605	Power Relay 12A	HFB
86	140321762	O-Ring 3218 Silicone	
87	11032489	Reinforcement Rotary Plate	from s.n. 9014ATL0006023

Vending

VENDING MACHINE ATLANTE 700
TABLE 4/28


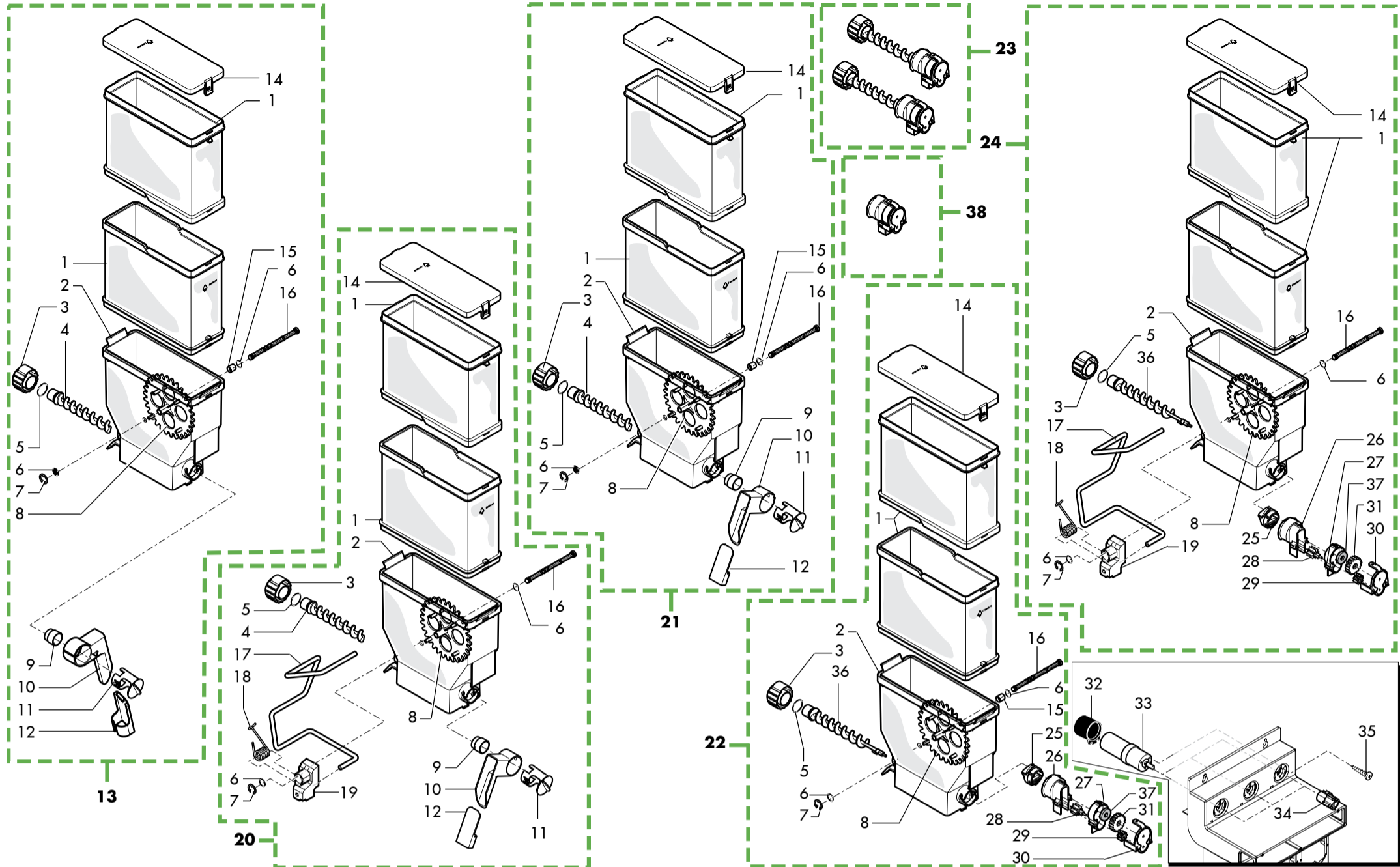
Pos. Code	Description	Note
1	12002039	Screw Tcbd Torx 20 M4X12 Zn-B
2	NF11.115	Blind Rivets
3	NE13.022	Copper Rivet D.4 With Tongue 6,3
4	U127.011	Screw Tapt.Tcb M5,0X8 Din 7500C
5	U324.005	Nut M3 Flanged Indented Base
6	11009755	Support Lamp Advertising
7	NE13.021	Starter Holder
8	NE13.059.00A	Power Supply For Neon 18W
9	NE13.020	Starter
10	12002050	Screw Tcb Torx 10 M3X12 Zn-B
11	U324.006	Nut M4 Flanged Indented Base
12	11010040	Support Deflector Lamp
13	11010830	Lamp Support
14	NE13.062	Neon Ge Biax 18W Bx18840
15	11009694	Lamp Protection
16	NE13.063	Lamp Holder Ags 443/A X2G11
17	11009754	Advertising Lamp Ass.
18	U047.008	Capstan Screw With Frame M6X20
19	11010204	Upper Frame Sg650 Silver
20	15001691	Products Label'S Sheet Rx Atlante Ita
20	15001693	Products Label'S Sheet Rx Atlante Eng
20	15001695	Products Label'S Sheet Rx Atlante Fra
20	15001697	Products Label'S Sheet Rx Atlante De
20	15001699	Products Label'S Sheet Rx Atlante Spa
20	15001701	Products Label'S Sheet Rx Atlante Por
20	15001703	Products Label'S Sheet Rx Atlante NI
20	15004342	Products Label'S Sheet Rx Atlante Caps
21	15001690	Products Label'S Sheet Lx Atlante Ita
21	15001692	Products Label'S Sheet Lx Atlante Eng
21	15001694	Products Label'S Sheet Lx Atlante Fra
21	15001696	Products Label'S Sheet Lx Atlante De
21	15001698	Products Label'S Sheet Lx Atlante Spa
21	15001700	Products Label'S Sheet Lx Atlante Por
21	15001702	Products Label'S Sheet Lx Atlante NI
21	15004341	Products Label'S Sheet Lx Atlante Caps
22	0775.989	Price Labels White Euro
23	15001712	Instruction Label'S Sheet Atlante Ita
23	15001713	Instruction Label'S Sheet Atlante Eng
23	15001714	Instruction Label'S Sheet Atlante Fra
23	15001715	Instruction Label'S Sheet Atlante De
23	15001716	Instruction Label'S Sheet Atlante Spa
23	15001717	Instruction Label'S Sheet Atlante Por
23	15001718	Instruction Label'S Sheet Atlante NI
24	11008613	Ass.Push Button Sg650
25	11008662	Rod For Lock Sg650
25	11029111	Rod For Lock Atlante700
26	11008644	Lock Pin
27	U046.001	Screw Tefz M5,0X16 Uni 6921 Galv.
28	U701.011	Steel Snap Ring 5 Uni 7434
29	11008615	Lever Ass. Lock
30	U302.004	Nut Hexagonal M6 Uni 5588
31	U208.006	Toothed Washer 6,4X11 Uni 3703
32	11008640	Lever For Lock
32	11029067	Lever For Lock
33	U116.006	Screw Aut.Pt Tcb 3,5X12 Wn 1441 Znp
34	11007679	Door Ass. Rivet Black
34	11029074	Door Ass. Rivet Black
34	11030930	Door Led Rivet Atlante Blk
35	11009127	Plate Fixing
36	12000962	Multigrip Rivets 4.8X11
37	11010205	Adapter Upper Frame Silver
38	U310.004	Nut Self Lock.M6 Uni 7473
39	11030086	Reinforcement Image Advertising Atlante

Pos. Code	Description	Note
40	U110.004	Screw Aut.Tcb 3,5X6,5 Din 7981 F
41	12002031	Knob D.18 M5X15
42	NV02.229	Lock Rielda Mod.512 + Key
43	NV02.243	Key Rielda Aj306A
44	11008639	Logo Saeco Glass Sg650
44	11031029	Vetrino Logo Saeco Atl700 White
45	11008642	Upper Advertising Plate Sg650
45	11030121	Upper Advertising Plate Atl700 Seaga
45	11030815	Upper Advertising Plate Atl700 C.B
46	11010210	Upper Support Plate Sg650
47	11024252	Left Side Panel Sg650
48	11023709	Publicity Front Plate Atlante500
49	11032082	Pannelo Tastiera Atlante
50	129670302	Tcb Panelvit Screw 2,9X9,5 Tes.D=7,5 Znp
51	11010203	Upper Support Plate Sg650
52	11008597	Front Plate Sg650
53	11008641	Lower Advertising Plate Sg650
53	11030120	Lower Advertising Plate Atl700 Seaga
53	11030814	Lower Advertising Plate Atl700
54	U143.021	Screw Special 4,8X9,5 Self Tap.
55	11008622	Side Strip Aesthetic Silver
56	11008619	Display Front Plate
57	11008620	Publicity Front Plate
58	11008635	Display Glass 5P07
59	U110.003	Screw Aut.Tcb 3,5X9,5 Din 7981 F
60	U324.003	Nut M5 Flanged Indented Base
61	U701.003	Snap Ring 7 Uni 7434
62	11008621	Button Front Plate
63	11023763	Sheet Metal Cover Slave Atlante650
64	11032113	Right Side Panel Atl700
65	11008598	Dispenser Frame Vain
65	11029112	Dispenser Frame Vain
66	11023653	Cover Slave Atlante650
67	9111.355	Spring For Change Button
68	11012634	Push Button Sg650 Silver
68	11031373	Push Button Sg650
69	11001836	Fs400 Standard Grill
70	11008689	Profilo Estetico Inferiore Silver
71	11031811	290Mm Led Board
72	9111.402	Spacer For Card
73	11031810	400Mm Led Board
74	11031371	Lower Advertising Plate Atl700 Autobar
75	11031374	Cap For Insert Coin
76	11031375	Bush Block Button Change Giver
77	11023766	Support Cover M125 Omega
78	U109.005	Screw Aut.Tcb 3,5X16 Din 7981 C
79	U201.001	Plain Washer 3,2X9 Din 7349 Galv.
80	12001931	Lock Meroni 3355/11Ka+Harness
81	11031790	Cover Slave Atl700
82	20007220	Key Meroni 3H1833Ctcc- Ka0514520X
83	12001724	Lock Evergood With Handle A 'T'
84	U043.031	Screw Tcb M5,0X40 Uni 7687 Galv.
85	11029076	Space For Lock T
86	15004049	Adhesive Gran Gusto
87	15002650	Instruction Label'S Sheet Atl500 Ita
87	15002651	Instruction Label'S Sheet Atl500 Eng
87	15002652	Instruction Label'S Sheet Atl500 Fra
87	15002653	Instruction Label'S Sheet Atl500 De
87	15002654	Instruction Label'S Sheet Atl500 Spa
87	15002655	Instruction Label'S Sheet Atl500 Por
87	15002656	Instruction Label'S Sheet Atl500 NI



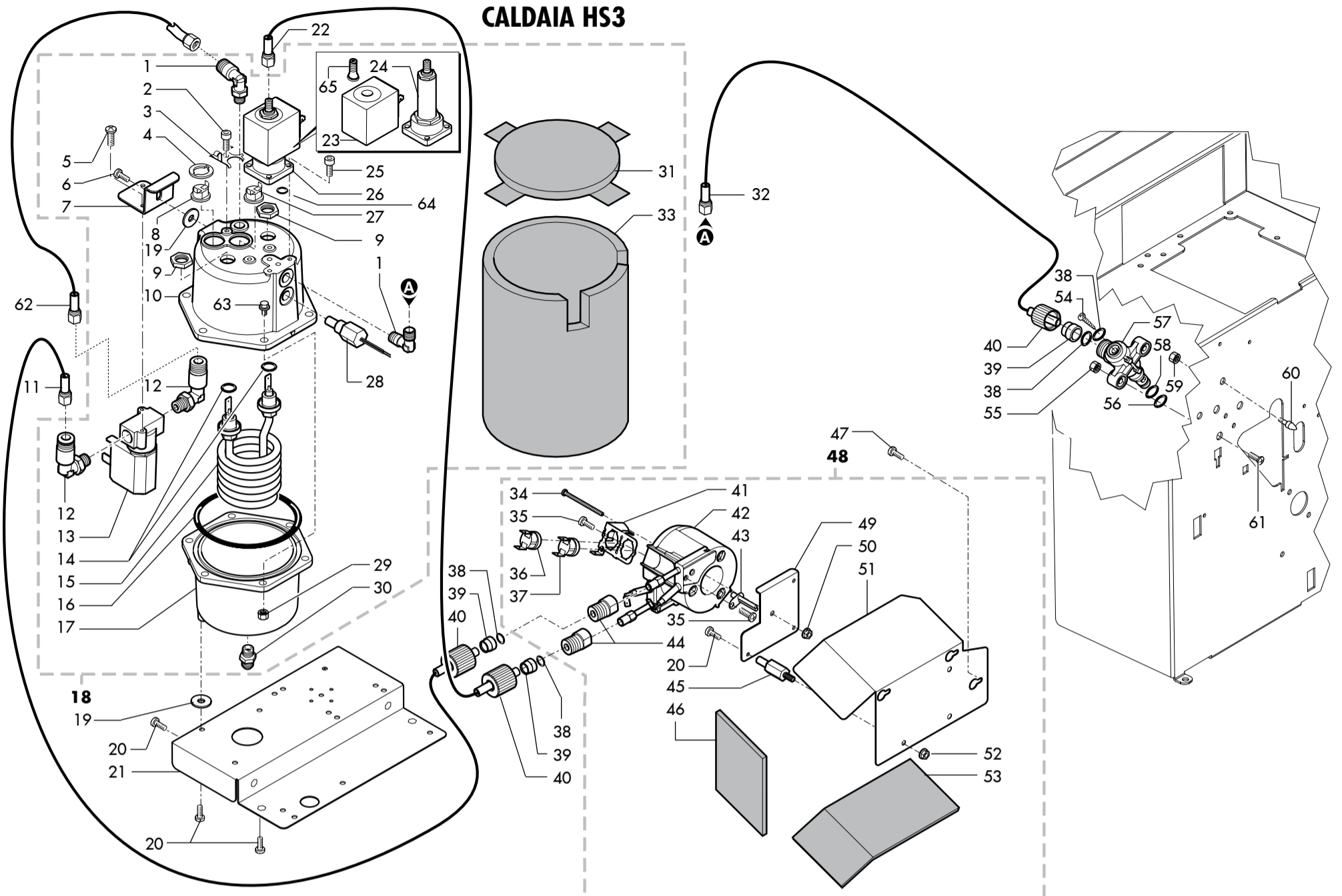
Pos. Code	Description	Note
1	U043.007 Screw Tcbc M3,0X8 Uni 7687 Galv.	
2	11011663 Slide Cover Coin	
3	11011616 Coin Chute	
4	11011617 Coin Conveyor Adjustable	
5	U302.003 Galv.Nut Hexagonal M4 Uni 5589 Zn	
6	U324.003 Nut M5 Flanged Indented Base	
7	11011660 Lever Coin Recovery	
8	U212.006 Washer 3,2X11X0,5 Znp	
9	NF11.027 Expansion Rivet D.4X7,95 Alu.	
10	20007333 Key Meroni 337	from s.n. 9013ATL0004945
10	0701.R29 Key Ka 35	up to s.n. 9013ATL0004944
11	11009687 Cover Coin Box	
12	9111.388 Handle For Coin Case	
13	11001583 Lever For Lock	up to s.n. 9013ATL0004944
13	11031071 Lever For Lock	from s.n. 9013ATL0004945
14	11009683 Coin Case Ass.	
15	12002039 Screw Tcbd Torx 20 M4X12 Zn-B	
16	U302.002 Nut Hexagonal M3 Uni 5588	
17	11011613 Coin Chute Ass.	
18	11011615 Lever Ass. Coin Recovery	
19	9111.397 Spring For Tray /Lever Coin Recove	
20	123453102 Galv.Self Lock Nut High M4 Din 982	
21	U201.005 Plain Washer 4,3X12 Din 7349 Gal	
22	11011619 Support Lever Coin Recovery	
23	129825002 Tcb Screw M4X20 Uni 7687 Znp	
24	U116.005 Screw Aut.Pt Tcb 3,0X8 Wn 1441	
25	11012440 Coin Case Ass.	
26	9111.174.050 Coin Hopper	
27	12001902 Lock Meroni 337	from s.n. 9013ATL0004945
27	20007143 Kit Spare Part	up to s.n. 9013ATL0004944
28	U127.011 Screw Tapt.Tcb M5,0X8 Din 7500C	
29	11009688 Support Coin Box	
30	U110.011 Screw Aut.Tcb 2,9X9,5 Din 7981 F	
31	12000962 Multigrip Rivets 4.8X11	
32	U109.022 Screw Aut.Tcb 4,2X13 Din 7981 C	
33	11027365 Compartment Dispenser Milled	ETL
33	1863.012.050 Compartment Dispenser	
34	U019.005 Stei Screw M5,0X10 Uni 5923 Galv.	
35	1863.013 Lens For Compartment Dispenser	
36	11027722 Cup Support D.83	
37	9111.368.050 Variable Cup Support Black	
38	1863.023.050 Water Drip Tray	
39	1863.024 Stirrup For Compartment Dispenser	
40	U110.005 Screw Aut.Tcb 3,9X9,5 Din 7981 F	
41	U043.028 Screw Tcbc M3,0X10 Uni 7687 Galv.	
42	11009121 Cover Support System Payment	
43	NF11.015 Expansion Rivet D=2,8X8 Alu.	
44	0875.365 Sup.Coin Box	from s.n. 9010ATL0001728
45	U302.001 Nut Hexagonal M5 Uni 5588	
46	12002034 Knob With Bush M5	
47	12002031 Knob D.18 M5X15	
48	9111.614 Coin Box Anchoring Pin	from s.n. 9010ATL0001728
49	0875.357 Ass.Fixing Plate Coin Box	from s.n. 9010ATL0001728
50	1602.147 Bush For Door Connecting Rod	from s.n. 9010ATL0001728
51	123160302 Nut M3 High Uni 5587 Galvanized	
52	1863.046 Coin Box Support	from s.n. 9010ATL0001728

Pos. Code	Description	Note
53	U207.003 Plain Washer 3,2X7 Uni 6592 Galv.	
54	11008928 Payment Systems Cover Sg650	
55	11011328 Led Diffuser For Cup	rosso
55	11025455 Led Diffuser For Cup	bianco
56	U043.015 Screw Tcbc M5,0X12 Uni 7687 Galv.	
57	U324.005 Nut M3 Flanged Indented Base	
58	9991.182 Magnet For Door Sg700	
59	11012506 Cover Rinforce For Payment Systems	
60	11008663 Aesthetic Plate Sg650	
61	11024638 Ass.Support Coin Box	from s.n. 9010ATL0001728
61	11029124 Ass.Support Coin Box	ETL
62	11013496 Frontal Plate Support Coin Box	from s.n. 9010ATL0001728
63	1863.058 Left Support Disp.Comp. Black	
64	U109.003 Screw Tcb 3,5X9,5 Din 7981 C Nick	
65	U109.037 Screw Aut.Tcb 4,8X13 Din 7981 C	
66	9111.373 Spring For Disp. Comp. Retaining	
67	9111.372.050 Disp. Compartm. Locking Lever Blac	
68	9111.371.050 Right Support Disp. Comp. Black	
69	11011662 Adjustable Plate	
70	11011661 Duct Coin Recovery	
71	U046.001 Screw Tefz M5,0X16 Uni 6921 Galv.	
72	U207.009 Plain Washer 5,5X15 Uni 6593 Ga	
73	11013682 Display Cover And Power Supply Black	
74	11013497 Left Plate Support Coin Box	from s.n. 9010ATL0001728
75	U110.002 Screw Aut.Tcb 3,5X13 Din 7981 F	
76	1863.032.A20 Cup Distr. Support	
77	1863.033.A20 Cup Distr. Support	
78	1863.649 Reed For Door	
79	11009693 Sensor Bracket Vain Sg650	
80	11010546 Glasses Support Black Sg650	
81	9991.093 Magnet D=9,5 X H=1,5	
82	11032646 Cup Station'S Door	
83	11008661 Door Guide Vain	
84	11008670 Bracket For Micro	
85	NV01.007 Adhesive Foot	
86	11009689 Driptray Partition	
87	129720902 Te Screw M5X10 Uni 5739 Znp	
88	11006845 Door Conducting Coins Grey	
89	11012507 Movable Plate For Atlante Door	
90	12001178 Protect 8,5X15X13 Mod. 30.21.001	
91	9111.357.050 Coin Chute Bottom Black	
92	11008610 Lower Block Hinge Ass.	
93	U046.006 Screw Te M6,0X10 With Washer	
94	U046.005 Screw Te M5,0X10 With Washer	
95	11012611 Ass.Blank Protection Coin Channel Atlant	
96	0894.093 Coin Box Support	up to s.n. 9010ATL0001727
97	9111.381 Sheet Metal Ass. For Coin Box	up to s.n. 9010ATL0001727
98	9111.331 Knurled Female Hand Bolt M5	up to s.n. 9010ATL0001727
99	9111.384 Coin Box Fixing Bracket	up to s.n. 9010ATL0001727
100	0894.173 Ass.Plate Coin Box Regulation	up to s.n. 9010ATL0001727
101	11008665 Plate For Support Coin Box	up to s.n. 9010ATL0001727
102	12002033 Knob D.18 M5X25	
103	11031851 Protection Lexan For Payment System	Capsbean



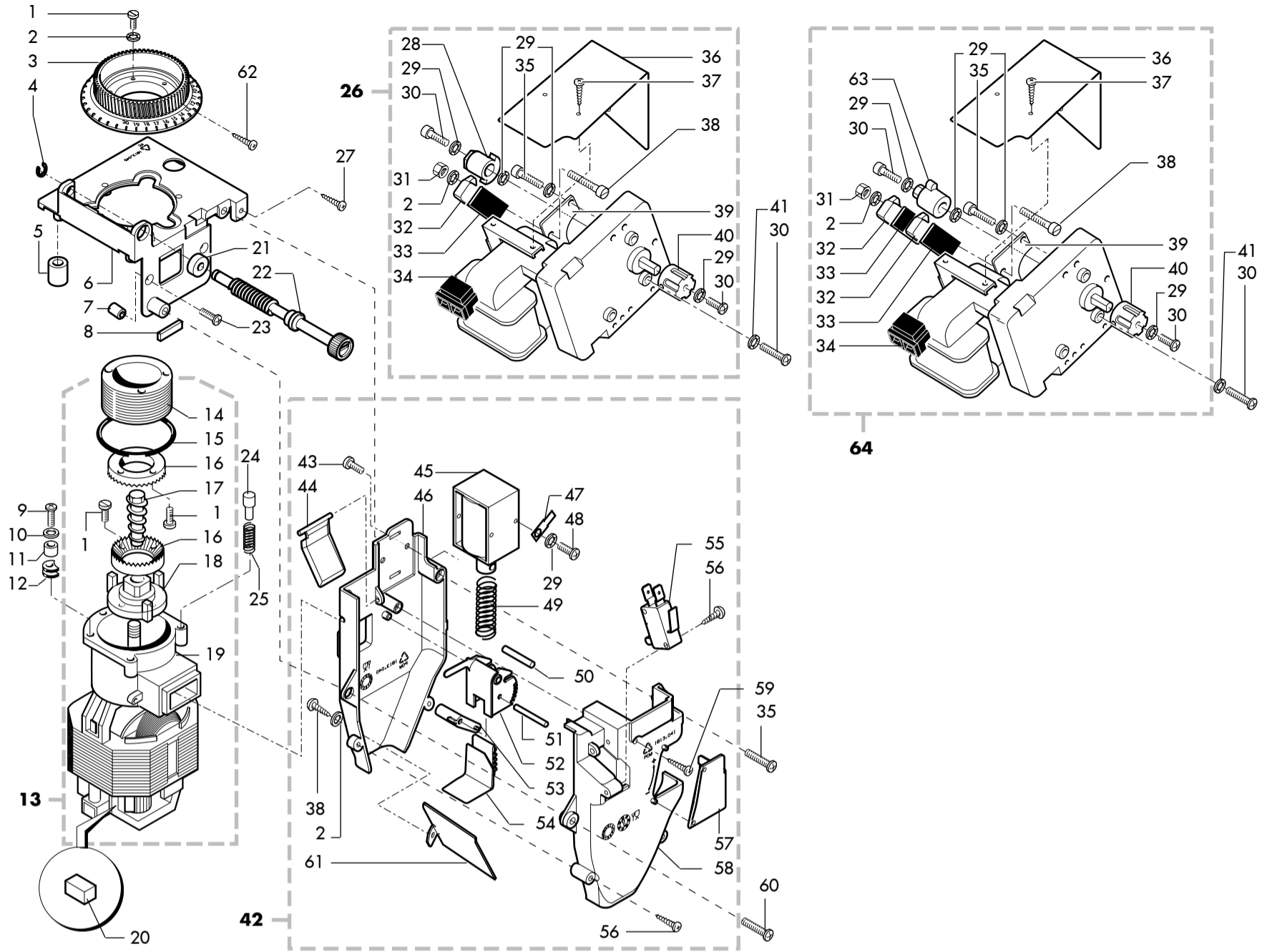
Pos. Code	Description	Note	
1	11001577	Extension Container Single Soluble	
2	11001576	Base Container Single Soluble	
3	11012130	Back Bush Reinforce	
4	11001658	Scroll Screw	
5	NM03.013	Or 2,3X15 Nbr	
6	NM03.022	Or Orm 0060-10 Nbr	
7	U701.003	Snap Ring 7 Uni 7434	
8	9111.702	Wheel Double Container	
9	11001654	Bush Container	
10	9111.425.060	Powder Duct	
11	9111.457.060	Bush For Left/Right Duct Cosmec	
12	9111.428.060	Plug For Left-Right Duct	
13	11010751	Assembly Single Container W/Switch	Instant
14	11001578	Cover Container Single Soluble	
15	11032945	Space For Gear Bpa Free	
16	11001580	Pin Wheel Container Single Soluble	
17	11006124	Wire Agitator Unified	
18	9111.731	Spring	
19	11007155	Agitator Support	
20	11006373	Ass.Single Container W/Agitator Switch	
21	11004505	Assembly Single Container W/Switch	Instant & 1M
22	11031883	Assembly Single Container	from s.n. 9013ATL0004663
23	21001290	Kit New Powder Dispensing System	
24	11031886	Assembly Single Container	from s.n. 9013ATL0004663
25	11028378	Front Bush	from s.n. 9013ATL0004663
26	11031678	Easy Dry Dispenser Aperture	from s.n. 9013ATL0004663
27	11031691	Carter For Gear Easy Dry	from s.n. 9013ATL0004663
28	11031679	Dispenser Fan Easy Dry	from s.n. 9013ATL0004663
29	11005182	Wheel Z=9	
30	11005168	Lid Carter Gear	
31	11031690	Wheel Z=18 Easy Dry	from s.n. 9013ATL0004663
32	9121.155	Hood For Ratiomotor	
33	9121.106.00P	Sugar Ratiomotor 24V Dc	
34	9111.131	Coupling For Solubles Motor	
35	U116.005	Screw Aut.Pt Tcb 3,0X8 Wn 1441	
36	11005180	Scroll Screw For New Dispenser Aperture	
37	11031692	Felt Ring De=47,4 Di=41,4H=4	from s.n. 9013ATL0004663
38	21002190	Kit Easy Dry 2	up to s.n. 9013ATL0004662

Pos. Code	Description	Note
-----------	-------------	------



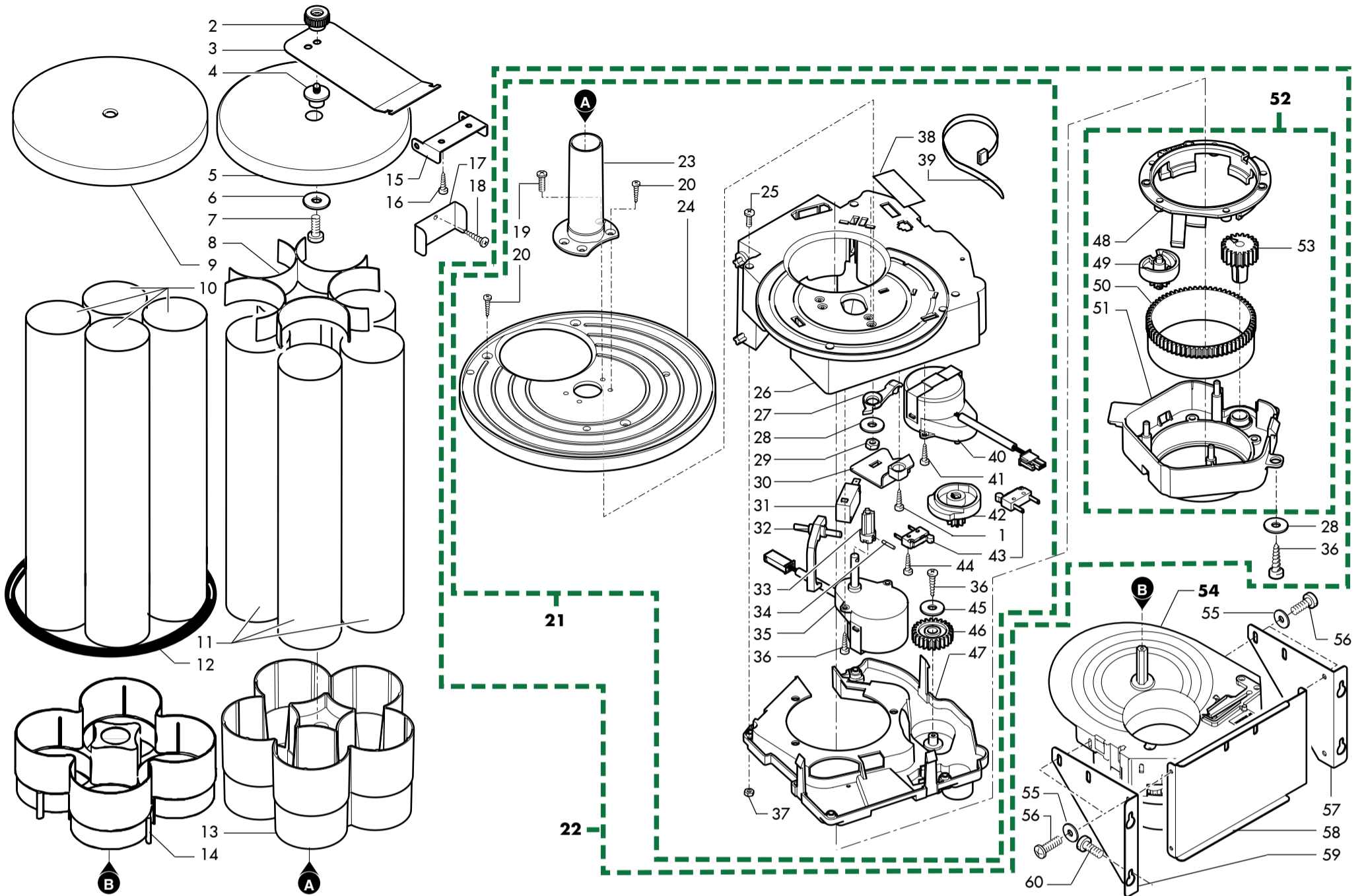
Pos. Code	Description	Note
1	12001181 Biconical Connect. L M 1/8X06 Tea	
2	12001052 Screw Tcei M4,0X6 Din 912 Zin	
3	226760100 Retaining Spring 3 Thermostats	
4	9991.085 Thermostat Fixing Washer	
5	U043.007 Screw Tcbc M3,0X8 Uni 7687 Galv.	
6	U043.008 Screw Tcbc M5,0X10 Uni 7687 Galv.	
7	11008287 Electrovalve Support	
8	NE09.021 Thermostat 150°Nc Faston 90°	
9	9991.029 Nut For Resistor	
10	11012528 Upper Casing Boiler 600Cc Tea	
11	11025410 Tube Assembly Teflon 3X6 L.330Mm	
12	11025082 "1/8" G M/Conical Orient. Nut/Ogv"	
13	12001230 Electrovanne 2 Voies 24V Dc Tea	
14	11000972 Or 3050 Fkm 80 Fd Peroxidica	
15	11005367 Heat Element Boiler 230V 1550W	
16	12000770 Or Orm 4350 Viton	
17	11012529 Lower Casing Boiler 600Cc Tea	
18	11025317 Double Boiler Ass. Sg650 230V 50Hz Tea	
19	9111.501 Insulation Washer	
20	12002039 Screw Tcbd Torx 20 M4X12 Zn-B	
21	11008250 Boiler Support	
22	11009782 Tube Ass. For Elettrovalve 3 Way	
23	20006583 Coil Evt Hs2 11012534	
24	20006584 Spare Parts Valve Casing 11005360	
25	12001179 Screw Tcei M4,0X12 Uni 5931 8.8 Zin.	
26	11012533 Electrovalve 3/2 Way N.C. W/Steam Tea	
27	189428700 Thermostat 175° 1Nt-15L-5126	
28	11005368 Immersion Probe Ass.	
29	U302.004 Nut Hexagonal M6 Uni 5588	
30	11027089 Water Inlet Connector	
31	11030776 Coffee Boiler 600Cc Upper Isolator	
32	11025406 Tube Assembly Teflon 3X6 L.250Mm	
33	11030778 Coffee Boiler 600Cc Upper Isolator	
34	U043.033 Screw Tcbc M4,0X60 Uni 7687 Znp	
35	129573202 Screw Tcb Torx 20 M4X8 Autoforming Zn-B	
36	12000804 Thermostat 190° 1Nt-08L-6067	
37	11005558 Thermostat 190° Nc Faston 90°	
38	140321462 O-Ring 2018 Silicone	
39	11005741 Connector D.6	
40	11005743 Knurled Female Hand Bolt M14	
41	11007907 Tub.Boiler V5 Side Thermos.Fixing Spring	
42	282058758 V2 Tub.Boiler N/Addit.Resist.1100W 230V	
43	11009589 Steam Probe Sg650	
44	11008257 Steam Boiler Connector	
45	9111.325 Nozzle Support Pin	
46	11011724 Side Steam Boiler Isolator	
47	U127.011 Screw Tapt.Tcb M5,0X8 Din 7500C	
48	11008266 Ass.Steam Boiler	
49	11008251 Steam Boiler Support	
50	U324.006 Nut M4 Flanged Indented Base	
51	11010727 Boiler Cover	

Pos. Code	Description	Note
52	U324.004 Nut M6 Flanged Indented Base	
53	11011726 Steam Boiler Isolator	
54	U109.037 Screw Aut.Tcb 4,8X13 Din 7981 C	
55	U302.003 Galv.Nut Hexagonal M4 Uni 5589 Zn	
56	11013174 Or Orm 0050-20 Fkm 80 Fd Green Peroxida	
57	11005370 Pin For Muff	
58	11013173 Or Orm 0090-20 Fkm 80 Fd Green Peroxida	
59	U324.003 Nut M5 Flanged Indented Base	
60	11006046 Peg For Boiler	
61	U044.013 Screw Tspc M4,0X12 Uni 7688 Galv.	
62	11025297 "Teflon Tube 3X6 L.310 1/8"-1/8"	
63	U023.020 Screw Tcei M6X20 Uni 5931 Zin	
64	20007312 Spare Or Evt Hs2 11012534	
65	20006974 Mobile Nucleus Olab 8000-836	



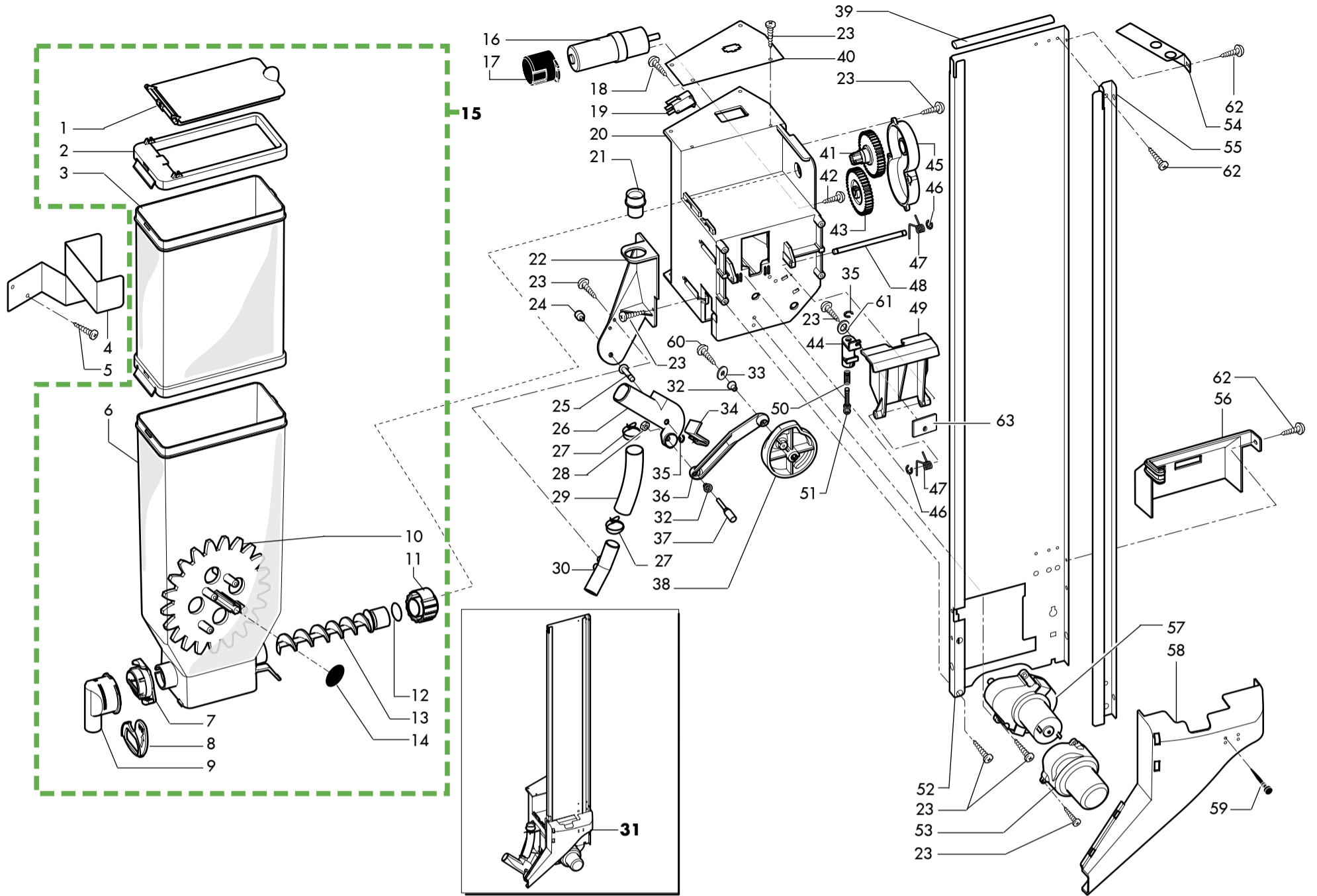
Pos. Code	Description	Note
1	U043.007	Screw Tcbc M3,0X8 Uni 7687 Galv.
2	U208.002	Toothed Washer 3,3X5,8 Uni 3703 G
3	11027723	Ring Nut Of Grind Regulation
3	1813.103.A20	Ring Nut Of Grind Regulation
4	U701.011	Steel Snap Ring 5 Uni 7434
5	1813.046.050	Rubber Grind Support
6	1813.045.A20	Grind Support
7	1813.097.A20	Spacer
8	1813.177	Support Seal
9	12002052	Zn-B Tcb Screw M4X16
10	U203.001	Plain Washer 4,3X8 Uni 1749 Gal
11	9141.003	Spacer For Rubber
12	9991.005	Rubber For Coffee Grinder
13	9140.001.00A	Coffegrinder Motor Ass.220/230V
13	9140.001.00F	Coffegrinder Motor Ass.120V
14	9141.008	Knob Adjustment Screw
15	140321560	O-Ring 3187 Nbr
16	9141.081	Flat Mill D.43 Titanium
17	9141.001	Brass Ncrement Screw Mc
18	9141.007	Fan
19	9140.002.00A	Motor Ass.With Cap 230V
20	0701.R34	Motor Brush
21	1813.159	Antivibration Rubber
22	1813.104.A20	Adjustment Screw With Tube Holder
23	U044.022	Screw Tspc M5,0X8 Uni 7688 Galv.
24	9141.005	Knob Pin
25	126769118	Spring For Knob Stop Pin (H=19)
26	11025216	Ass.Ratiomotor For Da 230V Fs400
26	9120.002.00N	Ratiomotor Ass. Da 3/5P 220V 60Hz
27	U116.006	Screw Aut.Pt Tcb 3,5X12 Wn 1441 Znp
28	9991.037	Cam For Ratiomotor 1 Micro
29	128310404	Washer Uni 8842 A4 Burnished
30	129824002	Tcb Screw M4X10 Uni 7687 Znp
31	U302.002	Nut Hexagonal M3 Uni 5588
32	NE05.066	Microswitch Cherry D419Q1A
33	9991.014	Card For Micro Switches
34	11032817	Ratiomotor 30 Pack 230/240-50
34	11032818	Ratiomotor 30 Pack 120/60
34	11032819	Ratiomotor 30 Pack 220/60
35	129825502	Tcb Screw M4X25 Uni 7687 Znp
36	11014251	Central Unit Motor Steel Carter
37	129511903	Screw Tcb 2,9X6,4 Din 7981 Bz Nick
38	U034.003	Screw Tci M3,0X20 Uni 6107 Galv.
39	11003524	Plate For Micro Ratiomotor
39	9991.015	Plate For Micro
40	9991.013	Joint For Ratiomotor
41	U207.002	Plain Washer 4,3X9 Uni 6592 Gal
42	11026301	Doser Ass. 6-11 Gr. 220V
42	1813.A10.A2A	Doser Ass. 6-11 Gr.
42	1813.A10.A2F	Doser Ass. 6-11 Gr.120V UI
43	129851921	Tsp Screw M3X6 Uni 7688 Ss

Pos. Code	Description	Note
44	1813.042.A20	Dispenser Pallet
45	9121.235.00A	Electromagnet For Dispenser With Nucleus
45	9121.235.00F	Electromagnet X Dispenser W/Nucleus 120V
46	11026302	Dispenser Shell
46	1813.040.A20	Dispenser Shell
47	NE15.003	Male Tongue Plain 6,3 D.5,2
48	129570402	Screw M3X6 Din 7985 Znp
49	1813.127	Spring For Electromagnet
50	1813.092	Pin
51	1813.091	Pin For Dispenser Regulation
52	1813.043.A20	Dispenser Regulation
53	1813.078.A20	Adjustment Lever
54	1813.044.A20	Pallet For Regulation
55	NE05.062	Microswitch + Wheel
56	U116.004	Screw Aut.Pt Tcb 3,0X16 Wn 1441
57	1813.191.A20	Dispenser Cover
58	11026303	Outside Shell Dispenser
58	1813.041.A20	Outside Shell Dispenser
59	12000390	Screw Aut.Tcb 2,9X25 Din 7981 C Nik
60	12002039	Screw Tcbd Torx 20 M4X12 Zn-B
61	11026304	Tube Conveyor Coffee Lx Atl650
62	U109.004	Screw Aut.Tcb 4,8X9,5 Din 7981 C
63	11003525	Cam Coffee Group Fresh Brew
64	11023413	Ratiomotor Cristallo600 Ttt 120V Csa
64	11023414	Ratiomotor Cristallo600 Ttt 230V



Pos. Code	Description	Note
1	U109.018	Screw Aut.Tcb 3,5X6,5 Din 7981 C
2	12002034	Knob With Bush M5
3	11009678	Basket Stop Plate Sg650
4	11010585	Central Pin For Cup Column
5	11009310	Tank Lid Glasses
6	U207.009	Plain Washer 5,5X15 Uni 6593 Ga
7	U043.021	Screw Tcbc M5,0X8 Uni 7687 Galv.
8	11009242	Cup Tube Fixing Spring
9	11027368	Tank Lid Glasses D.83
10	11025515	Tube Pvc 87X1,5 L=685
11	11001422	Tube Pvc 80X1,5 L=705
12	NM02.002	Or 4412 Epdm
13	11008470	Glasses Basket 5 Column
14	11026360	Glasses Basket 4 Column Sb83Mm
15	11009680	Basket Stop Bracket Sg650
16	U109.003	Screw Tcb 3,5X9,5 Din 7981 C Nick
17	1813.162	Bracket Stop Dispencer
18	U110.004	Screw Aut.Tcb 3,5X6,5 Din 7981 F
19	U044.021	Screw Tsp M3,0X20 Uni 7688 Ss
20	129914102	Screw Tsp Torx 10 3,5X12 Plast.Zn-B
21	11009682	Ass.Dispenser 5 Columns
22	11009681	Ass.Dispenser Glasses 5 Column
23	11000642	Tube For Basket Glasses
24	11008472	5 Column Surface
25	U034.001	Screw Tci M3,0X30 Uni 6107 Galv.
26	11000785	Upper Casing Dispenser Glasses
27	11007354	Lever
28	U212.006	Washer 3,2X11X0,5 Znp
29	U310.001	Galv.Self Lock. Nut M3 Uni 7473
30	11007356	Micro Cover
31	NE05.065	Microswitch Cherry D41Rq3Aa
32	1813.067.A20	Lever
33	11007355	Cam
34	11009494	Brass For Motor Saia Uds1 Cod.416616310
35	11009493	Motor Saia Uds1Ud5M75Can3Kz286
36	U116.005	Screw Aut.Pt Tcb 3,0X8 Wn 1441
37	U324.005	Nut M3 Flanged Indented Base
38	11001467	Adhesive Label Pvc 54X30 Mm
39	144320200	Self Lock Strip W=2.6 L=200
40	9121.226.00A	Motor Saia Uds 5 Rpm 220V
41	U109.005	Screw Aut.Tcb 3,5X16 Din 7981 C
42	1863.066.A20	Disengage Cam Glasses
43	NE05.064	Microswitch Saia V4Nc
44	129510503	Screw Tcb 2,2X12,7 Din 7981 Nick
45	U201.001	Plain Washer 3,2X9 Din 7349 Galv.
46	1813.068.A20	Toothed Wheel
47	1813.062.A20	Lower Casing Dispenser Glasses
48	11000786	Retaining Ring
49	1813.072.A20	Snail For Glasses D.70
50	1813.073.A20	Toothed Wheel For Snail
51	11000833	Snail Support

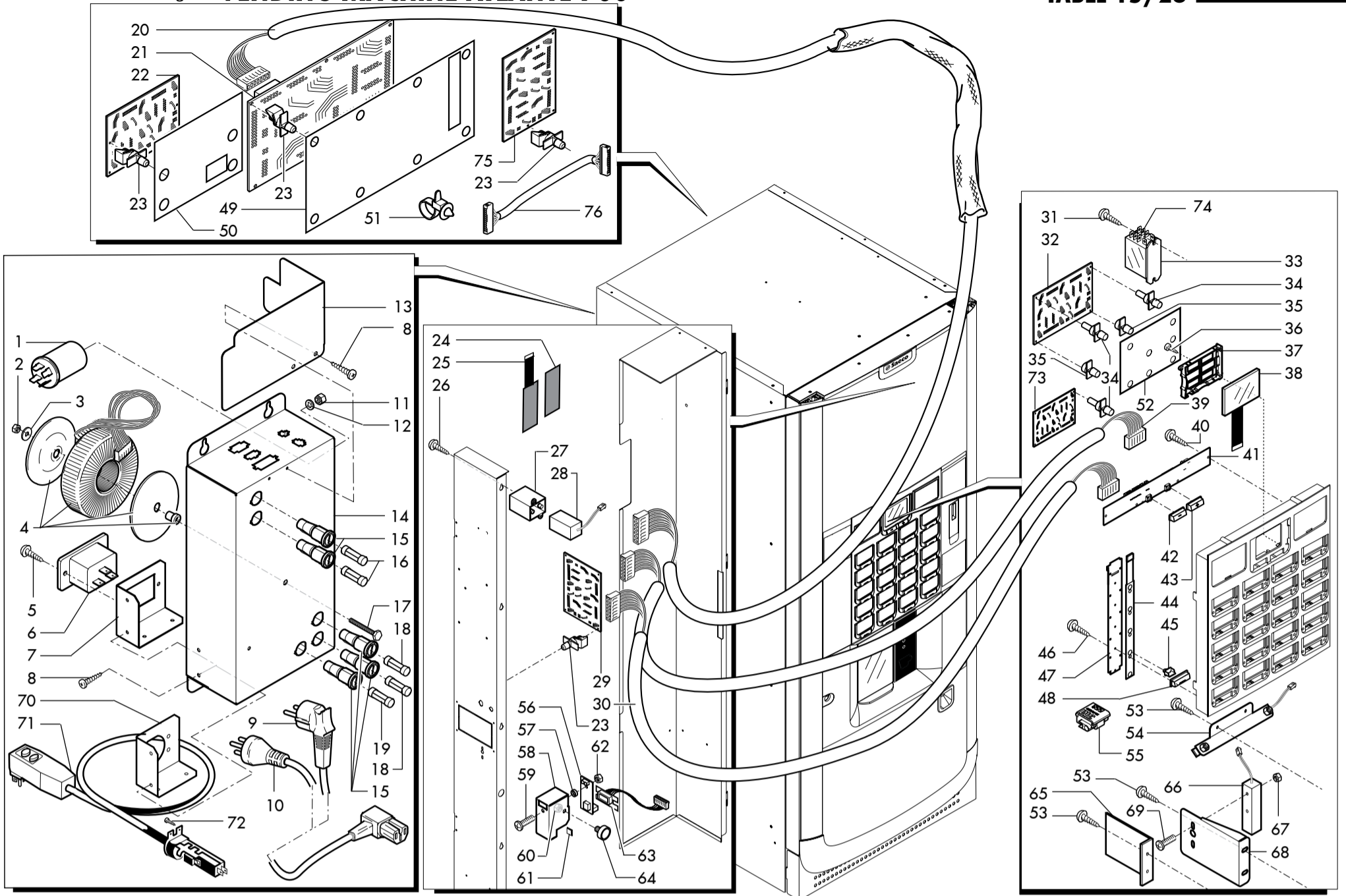
Pos. Code	Description	Note
52	11000835	Ass.Snail Support
53	1813.074.A20	Toothed Wheel
54	11028668	Dispenser Glasses D.83 120V EtI
55	U201.005	Plain Washer 4,3X12 Din 7349 Gal
56	12002039	Screw Tcbd Torx 20 M4X12 Zn-B
57	11027391	Dispenser Glasses Support Lx D.83
58	11027393	Dispenser Glasses Support Central D.83
59	11027369	Dispenser Glasses Support Rx D.83
60	U127.011	Screw Tapt.Tcb M5,0X8 Din 7500C



Pos. Code	Description	Note
1	9111.683 Soluble Cover	
2	9111.696 Cover Sugar Container	
3	11004610 Extension For Container Sugar	
4	11009957 Plate Stop Container Sugar Sg650	
5	U109.003 Screw Tcb 3,5X9,5 Din 7981 C Nick	
6	9111.685 Sugar Container	
7	9111.630.060 Bush For Powders Tank	
8	9111.338.270 Bulkhead For Apert. Closure Orange	
9	9111.629.060 Aperture For Solubles Hopper	
10	11032878 Container Wheel Sugar Bpa Free	
11	11012130 Back Bush Reinforce	
12	NM03.013 Or 2,3X15 Nbr	
13	9111.726 Scroll Screw Sugar Container	
14	9111.646 Adhesive For Tank	
15	11005129 Assembly Sugar Container	only vers. espresso
16	9121.106.00P Sugar Ratiomotor 24V Dc	only vers. espresso
17	9121.155 Hood For Ratiomotor	only vers. espresso
18	U110.007 Screw Aut.Tcb 2,9X16 Din 7981 F Znp	
19	NE05.002 Microswitch	
20	9111.684.A20 Support Stirrer	
21	9111.699 Aperture Sugar Tube	only vers. espresso
22	11030331 Ass.Dispenser Glasses D73 5 Column	TTT
22	9111.686.A20 Support Sugar Conveyer	only vers. espresso
23	U116.006 Screw Aut.Pt Tcb 3,5X12 Wn 1441 Znp	
24	11000388 Knob M3 Sugar Conveyer	only vers. espresso
25	11000389 Grained Pivot Sugar Coveyer	only vers. espresso
26	9111.690 Sugar Conveyer	only vers. espresso
27	9111.553 Self-Energizing Spring For Tube D.2	only vers. espresso
28	123160302 Nut M3 High Uni 5587 Galvanized	only vers. espresso
29	9111.700 Sugar Tube	only vers. espresso
30	9111.697 Connector Sugar Tube	only vers. espresso
31	11009170 Ass.Sugar/Spoons Dispender 24Vdc Sg650	only vers. espresso
31	11010382 Stirrer Dispenser Ass. Sg650 Instant	only vers. espresso
31	11029121 Ass.Sugar/Spoons Dispender 24Vdc Etl	ETL
32	9111.705 Spherical Pin	only vers. espresso
33	U201.001 Plain Washer 3,2X9 Din 7349 Galv.	
34	9111.727 Bulkhead Sugar Conveyer	only vers. espresso
35	U701.011 Steel Snap Ring 5 Uni 7434	
36	9111.691 Connecting Rod Sugar Dispencer	only vers. espresso
37	11004295 Knob For Sugar Connecting Rod Pipe	only vers. espresso
38	11008685 Sugar Cam	
39	9111.668 Stirrer Disp.Counterweight D.10	
39	9111.669 Stirrer Disp.Counterweight D.10	
39	9111.745 Stirrer Disp.Counterweight	
40	9111.707 Reinforcing Plate	
41	9111.694 Joint With Gear	only vers. espresso
42	U116.005 Screw Aut.Pt Tcb 3,0X8 Wn 1441	only vers. espresso
43	9111.695 Gear Z40	only vers. espresso
44	9111.737 Support	
45	9111.687.A20 Gear Cover	
46	U701.006 Snap Ring 3,2 Uni 7434	

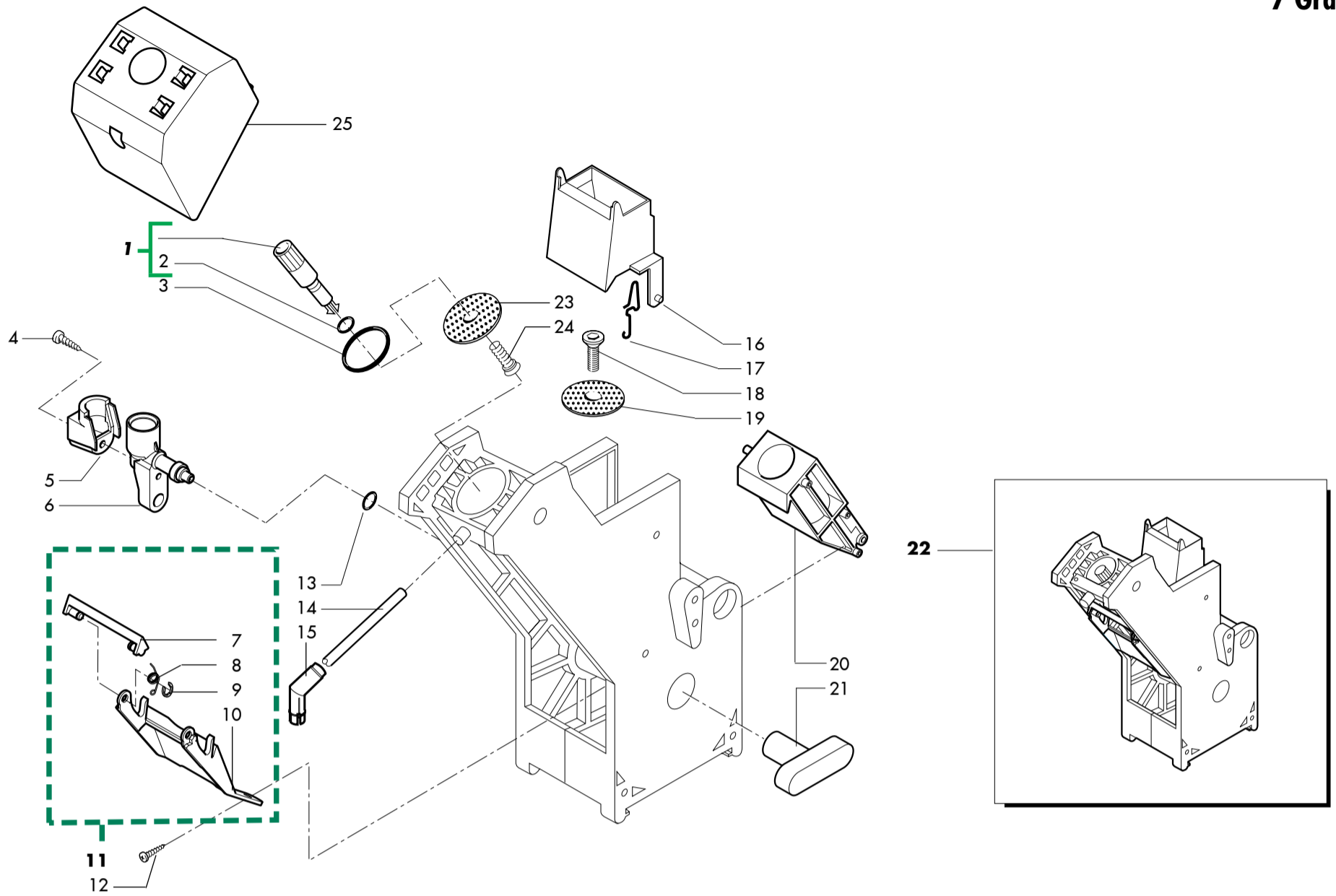
Pos. Code	Description	Note
47	9111.730 Spring	
48	9111.376 Pin For Stirrer Expeller	
49	11011240 Stirrer Expeller Black New	
49	1813.192.050 Snail For Glasses D.73	TTT
50	11031341 Spring	
51	11002209 Pin	
52	11000863 Assembly Support	TTT
52	11009171 Stirrer Guide Adjustable 90-115 Sg650	
53	11025411 Cristallo Spoon'S Motor Cover	
54	11009172 Bracket For Stirrer Guide Sg650	
55	11009139 Stirrer Guide Sg650	
56	11007444 Carter	
57	11025284 Motoriduttore Fiber 37Rpm	
58	9111.698.A20 Stirrer Slide	
59	9161.082 Rubber Coupler	Only stirrer disp. 90
60	U116.004 Screw Aut.Pt Tcb 3,0X16 Wn 1441	
61	U207.003 Plain Washer 3,2X7 Uni 6592 Galv.	
62	U110.004 Screw Aut.Tcb 3,5X6,5 Din 7981 F	
63	11025089 Plate Reinforcement	

Vending

VENDING MACHINE ATLANTE 700
TABLE 15/28


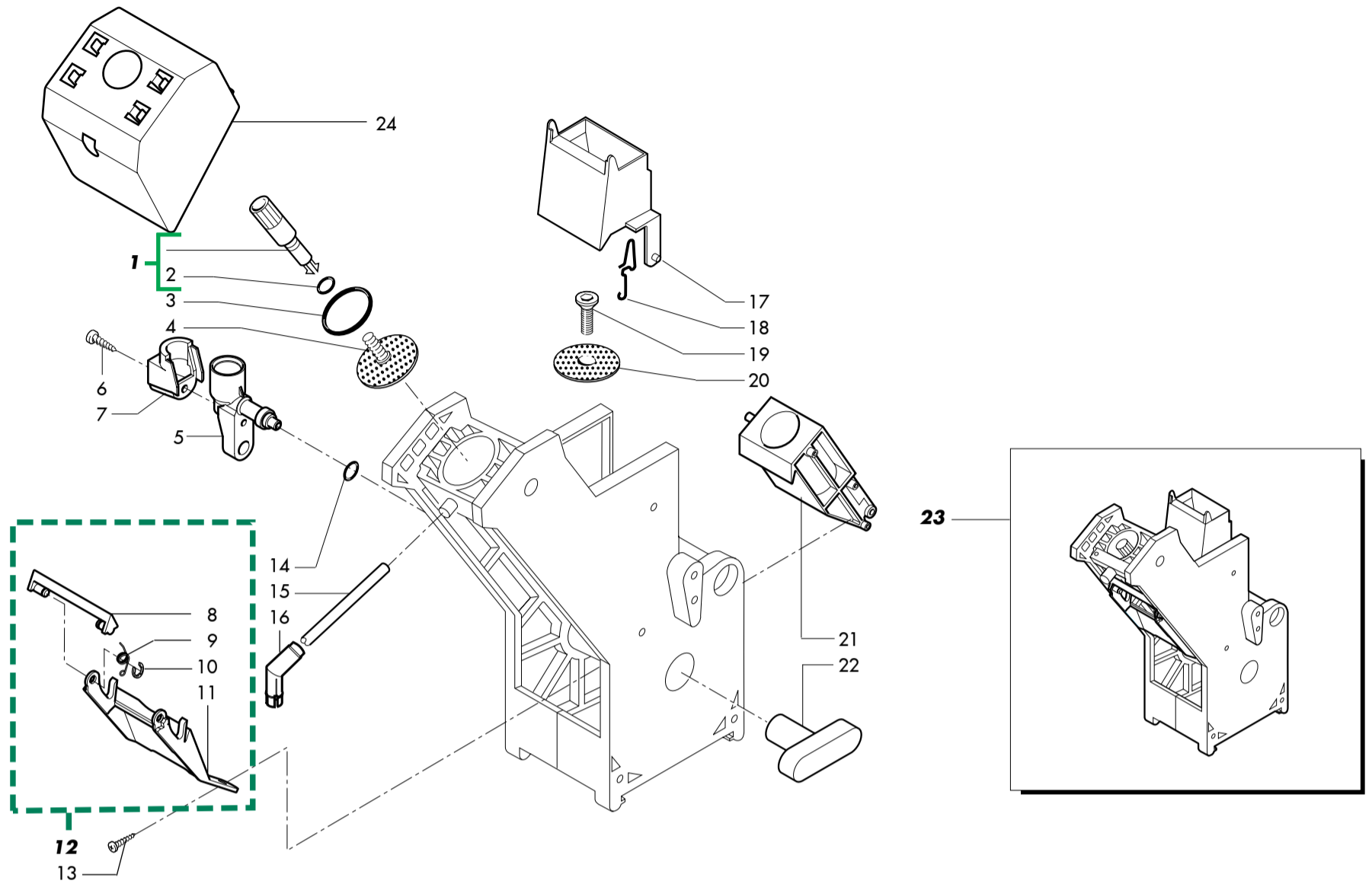
Pos. Code	Description	Note
1	11032135	Locking Screw Antidisturb Filter 230V16A
2	U310.004	Nut Self Lock.M6 Uni 7473
3	U207.013	Plain Washer 6.5X18 Uni 6592 Galv
4	NE19.023	Toroidal Transformer Combi 240V
4	NE19.028	Toroidal Transformer Fs 400
5	U111.008	Nick.Screw Aut.Tsp 3,5X9,5 Din 7982 C
6	NE13.055	Cup Socket 16A
7	11008833	Power Connector Support
8	U110.003	Screw Aut.Tcb 3,5X9,5 Din 7981 F
9	NE01.101	Cable Schuko 16A En 60320 C19
10	11012105	Cable Aus + Plug En60320 C19
10	11012275	Cable Ra + Plug En60320 C19
10	11032544	Power Cable Bra 16A 3X1,5
11	U302.007	Nut Hexagonal M8 Uni 5588
12	U208.009	Toothed Washer 8,4X15 Uni 3703
13	11009894	Safety Plate For Connector
14	11008832	Cpu For Trasformer
15	NE13.016	Fuse Holder With Screw On Cap
16	12001112	Fuse 6,3X32 T 12A
16	NE13.081	Fuse 6,3X32 16A 250V Delayed UI
17	U005.013	Screw Te M6,0X70 Uni 5739 Galv.
18	NE13.091	Fuse T 4A 6.3X32
19	NE13.043	Fuse 6,3X32 6,3A 250V Delayed
20	11009599	Harness Sg650
21	11008856	Sg650 Power Board
22	11008857	Sg650 Triac Board
23	9111.402	Spacer For Card
24	0875.990	Touch Panel Plate
25	0875.741	Touch Panel
26	U116.005	Screw Aut.Pt Tcb 3,0X8 Wn 1441
27	9991.140.050	Impulsecounterholder Keisu Gx-06R
28	NE13.025.00P	Impulse Counter Keisu Gx-06R 24V
29	11024111	Cpu+Sw As. Atlante
29	11032559	As.Cpu+Sw Atlante Capsbeans
30	11009751	26 Poles Flat Cable For Push Button
31	U110.010	Screw Aut.Tcb 2,9X6,5 Din 7981 F
32	11010015	Power Supply Board P124 230V
32	11030270	Atlante Led Power Supply
33	12001124	Relay Finder 056.26
34	12001216	Spacer Richco Lcbs-3-01
35	12001217	Spacer Richco Ps-3-01
36	U116.003	Screw Aut.Pt Tcb 3,0X12 Wn 1441
37	149202400	Display Support Smart Digital
38	11011605	Electronic Board Graph Display Sg650
39	11009750	24 Poles Flat Cable For Display
40	U116.006	Screw Aut.Pt Tcb 3,5X12 Wn 1441 Znp
41	11008817	Interface Board For Display Sg650
42	11032623	Display Push Button (-)
43	11032622	Display Push Button (+)
44	11032131	Membrane Keyboard Atl700 One Led Strip
45	11008630	Push Button Actuator

Pos. Code	Description	Note
46	129670302	Tcb Panelvit Screw 2,9X9,5 Tes.D=7,5 Znp
47	11031994	Sg650 Led Board (One Led Stripe)
48	11008623	Push Button
49	11009896	Card Protection Sg650
50	11009897	Card Protection Boiler Sg650
51	NF11.043	Clip With Hook
52	11012747	Card Protection Led Atlante
53	U109.011	Screw Aut.Tcb 3,9X9,5 Din 7981 C
54	11023437	Ass.Led Support Atlante
55	NE13.099	Clamp
56	2067.601	Adattatore Infrarossi
57	NE18.022	Spacer Richco Ss08-07.5 Mm
58	11031252	Irda Card Support
59	U043.006	Screw Tcbc M4,0X14 Uni 7687 Galv.
60	U324.003	Nut M5 Flanged Indented Base
61	NV01.007	Adhesive Foot
62	NF11.047	Nut M4 H.4,5 In Plastic
63	11031300	Flat Cable
64	9991.206	Magnet D.13 H.4,5 M5 Male
65	11014052	Plate Reflecting Atlante
66	11013812	Sensor
67	U324.006	Nut M4 Flanged Indented Base
68	11028020	Support Sensor
69	129825502	Tcb Screw M4X25 Uni 7687 Znp
70	11029117	Power Connector Usa Support
71	11008469	Power Cable Usa 3 Pole 15A
72	U110.005	Screw Aut.Tcb 3,9X9,5 Din 7981 F
73	11032179	Atlante Led Connector Board
74	1484.605	Power Relay 12A
75	11031694	Card Atlante Capsule Expansion
76	1034.802	Flat Cable 16 Pole L.250



Pos. Code	Description	Note
1	9169.A14.060 Pin For Percolator Brown	
2	NM02.006 Or R5 Ternoil	
3	140322061 O-Ring 4112 Epdm	
4	129512921 Screw Tcb Torx 10 Ab 2,9X13 Sheet Ss	
5	11010013 Carter For Muff Preheating Unit	
6	11005371 Unit Coffee Muff	
7	9111.537.060 Brown Scraper Coffee Group	
8	9111.520 Spring For Scraper Section 0.6	
9	U701.006 Snap Ring 3,2 Uni 7434	
10	9111.539.060 Fork For Scraper	
11	9110.067.060 Scraper Ass.For Cappuccinat. Tube	
12	U110.013 Screw Aut.Tcb 3,9X6,5 Din 7981 F	
13	140321462 O-Ring 2018 Silicone	
14	9972.057 Silicone Tube 5X8 L.2000Mm	
15	9111.349 Elbow Dispensing Nozzle	
16	322001201 Mobile Scraper Brown Narrow	
17	9161.425 Spring For Scraper	
18	129851921 Tsp Screw M3X6 Uni 7688 Ss	
19	324000200 Ss Percolator D=34 For Unit	
20	222711101 Brown Ground Coff.Container D=36 Assy.	
21	9161.021.060 Key For Brew Unit Brown	
22	11023330 Brew Unit 7 Grams Cristallo600	
23	11012630 Percolator D.34	
24	129852821 Tsp Screw M3X14 Uni 7688 Ss	
25	11013053 Carter For Doser Unit	

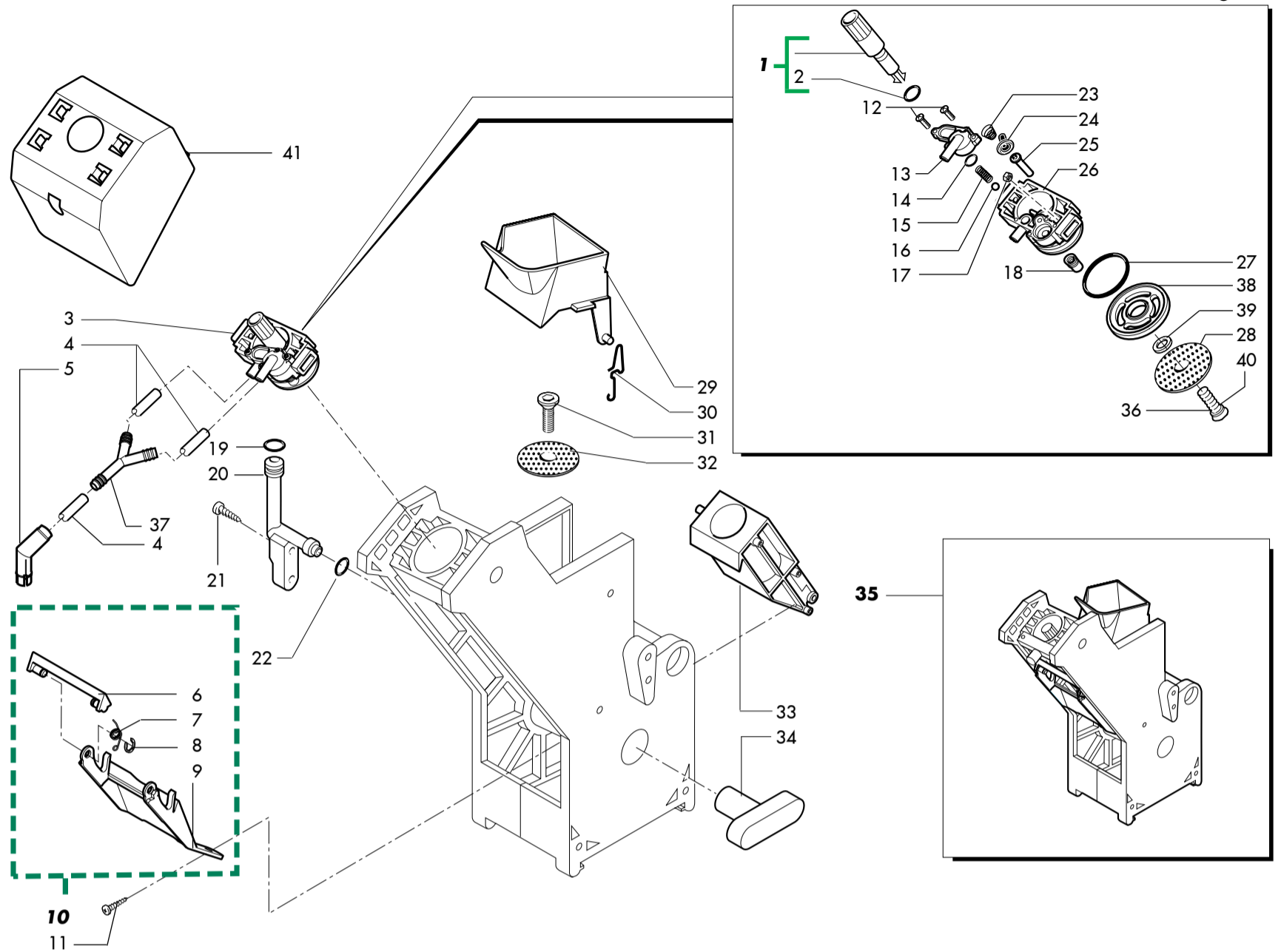
Pos. Code	Description	Note



Pos. Code	Description	Note
1	9169.A14.150 Pin For Percolator Grey	
2	NM02.006 Or R5 Termoil	
3	NM01.044 Or Orm 0320-40 Silicone Ptf/Fda	
4	9161.036 Upper Percolator For Unit	
5	11005371 Unit Coffee Muff	
6	129512921 Screw Tcb Torx 10 Ab 2,9X13 Sheet Ss	
7	11010013 Carter For Muff Preheating Unit	
8	9111.537.150 Grey Scraper Coffee Group	
9	9111.520 Spring For Scraper Section 0.6	
10	U701.006 Snap Ring 3,2 Uni 7434	
11	9111.539.150 Fork For Scraper	
12	9110.067.150 Scraper Ass.For Cappuccinat. Tube	
13	U110.013 Screw Aut.Tcb 3,9X6,5 Din 7981 F	
14	140321462 O-Ring 2018 Silicone	
15	9972.057 Silicone Tube 5X8 L.2000Mm	
16	9111.349 Elbow Dispensing Nozzle	
17	322001259 Mobile Scraper Grey Narrow	
18	9161.425 Spring For Scraper	
19	129851921 Tsp Screw M3X6 Uni 7688 Ss	
20	9161.037 Lower Percolator For Unit	
21	11002626 Ass. Coffee Container Grey 9 Gr.	
22	9161.021.060 Key For Brew Unit Brown	
23	11005422 Brew Unit 9 Grams Cristallo600	
24	11013053 Carter For Doser Unit	

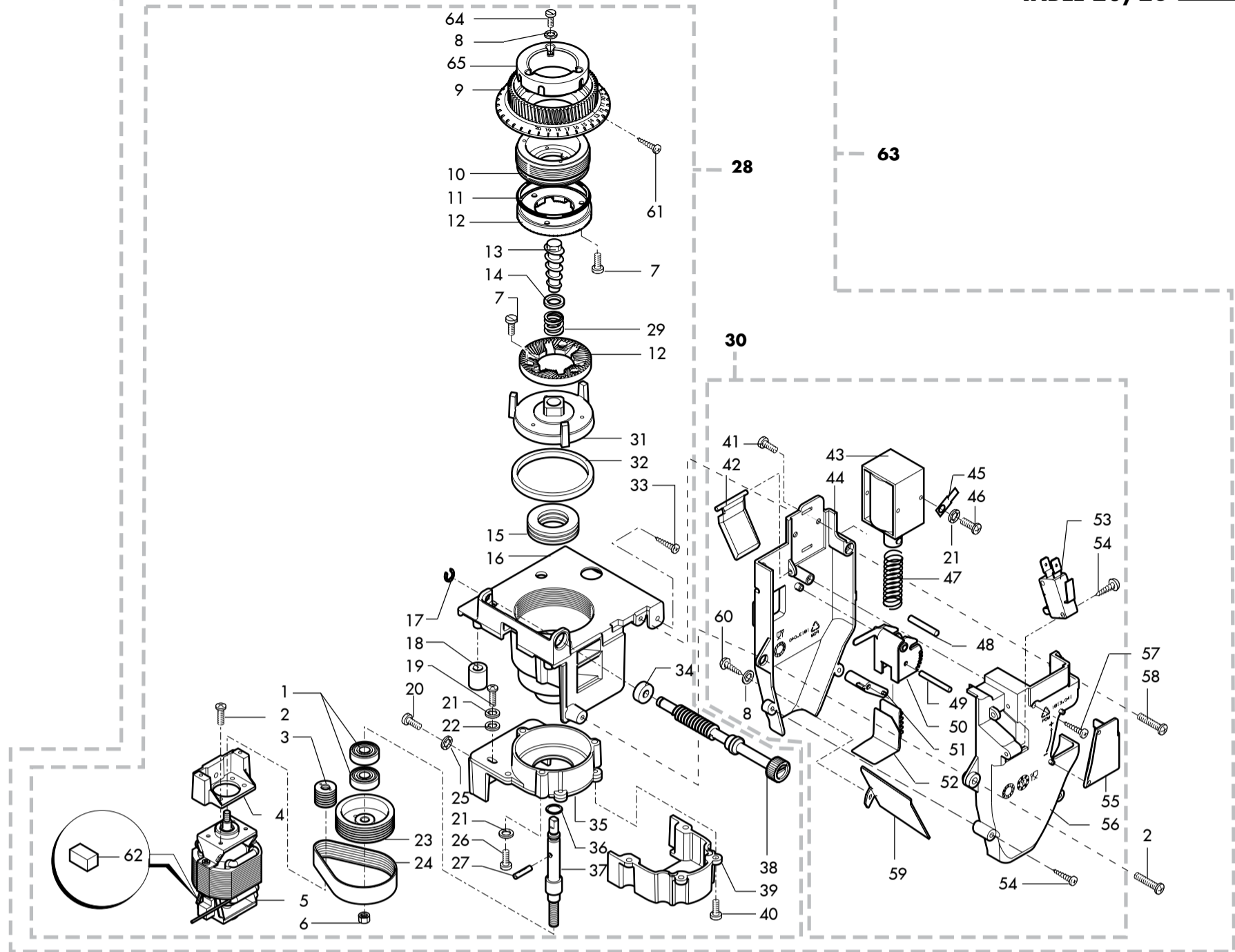
Pos. Code	Description	Note

T.T.T. 10 grammi

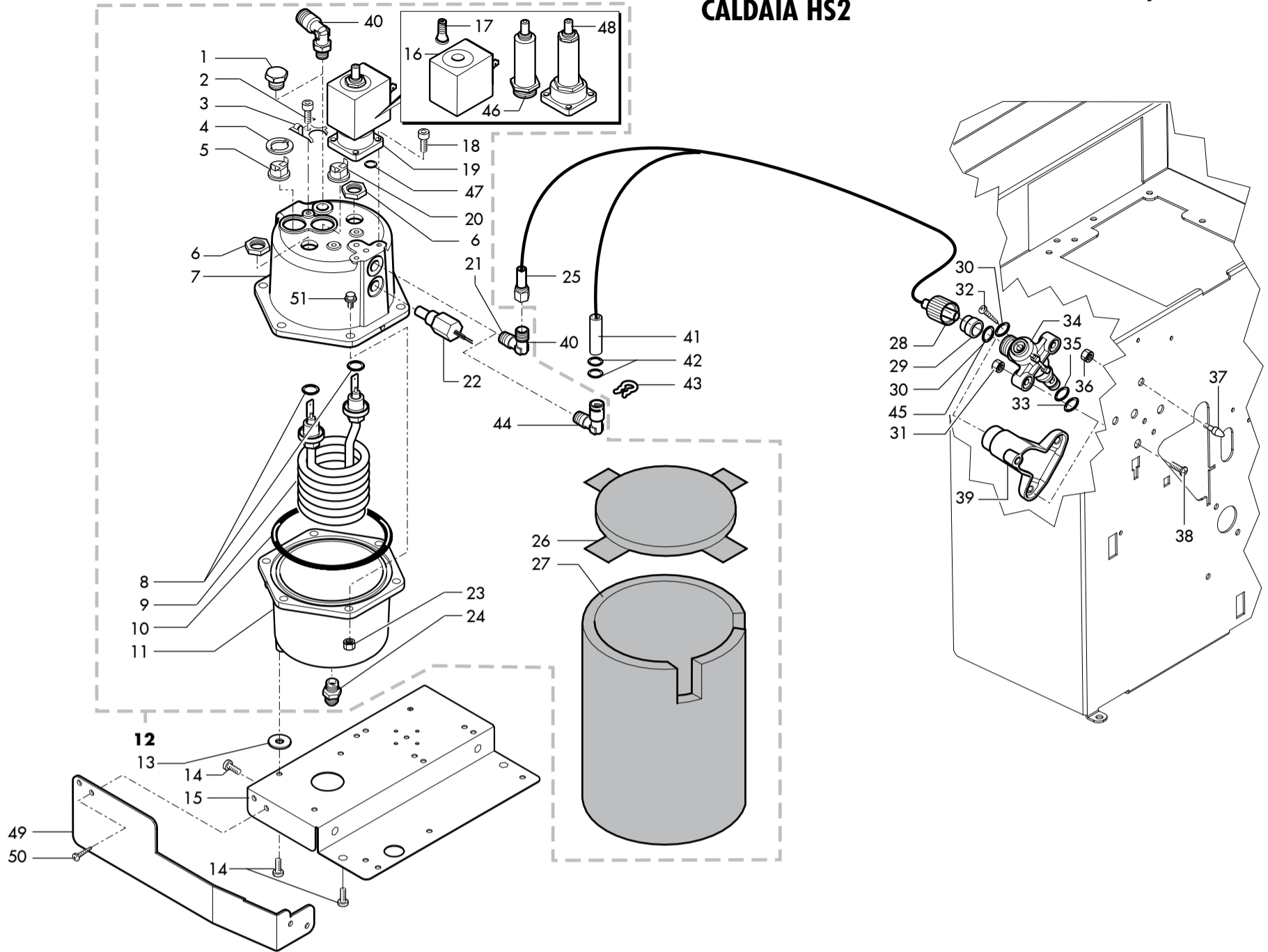


Pos. Code	Description	Note
1	9169.A14.150 Pin For Percolator Grey	
2	NM02.006 Or R5 Termoil	
3	11007343 Ass.Counterpiston Fresh-Brew	TTT
3	11031196 Ass.Counterpiston Autobar	HFB
3	11032455 Counter Piston	HFB PH
4	9972.057 Silicone Tube 5X8 L.2000Mm	
5	9111.349 Elbow Dispensing Nozzle	
6	9111.537.150 Grey Scraper Coffee Group	
7	9111.520 Spring For Scraper Section 0.6	
8	U701.006 Snap Ring 3,2 Uni 7434	
9	9111.539.150 Fork For Scraper	
10	9110.067.150 Scraper Ass.For Cappuccinat. Tube	
11	U110.013 Screw Aut.Tcb 3,9X6,5 Din 7981 F	
12	U109.030 Screw Aut.Tcb 2,9X16 Din 7981 C	
13	11003470 Lid X Counterpiston Fresh-Brew	
14	NM02.013 Or Orm 0080-15 Termoil	
15	11007470 Spring For Fs400 Cover Chassis	HFB
15	11028830 Spring For Fs400 Cover Chassis	TTT
16	12001650 Sphere Teflon D.5	
17	U302.003 Galv.Nut Hexagonal M4 Uni 5589 Zn	
18	11003472 Rubber X Unit Fresh-Brew	
19	140320461 Or Orm 0080-20 Termoil	
20	322000559 Water Flow Piston Grey	
21	129512921 Screw Tcb Torx 10 Ab 2,9X13 Sheet Ss	
22	140321462 O-Ring 2018 Silicone	
23	11002603 Spring For Membrane	
24	11002625 Membrane	
25	11003471 Pin For Membrane Fresh-Brew	
26	11003469 Counterpiston Fresh-Brew	
27	NM01.044 Or Orm 0320-40 Silicone Ptf/Fda	
28	11031174 Upper Percolator For Unit D.36	HFB
28	9161.167 Percolator D.35,8	TTT
29	11003529 Hopper Doser Unit Fresh Brew	
30	126836618 Spring H=28 New For Scraper	
31	129851921 Tsp Screw M3X6 Uni 7688 Ss	
32	9161.037 Lower Percolator For Unit	
33	11002626 Ass. Coffee Container Grey 9 Gr.	
34	9161.021.150 Key For Brew Unit Grey	
35	11007283 Brew Unit 10Grams Fresh Brew	TTT
35	11031185 Brew Unit 10Grams Fresh Brew Autobar	HFB
35	11031899 Brew Unit 6,5Grams Fresh Brew Autobar	HFB PH
36	129852821 Tsp Screw M3X14 Uni 7688 Ss	
37	147920800 Y Connector D=8 Art.80.26.048 Ka.466	
38	11031839 Spacer For Doser Unit Fresh Brew	HFB PH
39	U207.003 Plain Washer 3,2X7 Uni 6592 Galv.	HFB
40	U044.021 Screw Tsp M3,0X20 Uni 7688 Ss	HFB PH
41	11013053 Carter For Doser Unit	

Pos. Code	Description	Note
-----------	-------------	------

VENDING MACHINE ATLANTE 700
TABLE 20/28


Pos. Code	Description	Note	Pos. Code	Description	Note	
1	11025696	Bearing Rtp 608-2Z	45	NE15.003	Male Tongue Plain 6,3 D.5,2	
2	12002039	Screw Tcbd Torx 20 M4X12 Zn-B	46	129570402	Screw M3X6 Din 7985 Znp	
3	11025690	"Pulley D.15 ""Grind 48""	47	1813.127	Spring For Electromagnet	
4	11027163	Motor Support Grinders D.48	48	1813.092	Pin	
5	11027396	Coffeegrinder Motor D.48 230V	49	1813.091	Pin For Dispenser Regulation	
6	U310.004	Nut Self Lock.M6 Uni 7473	50	1813.043.A20	Dispenser Regulation	
7	U043.007	Screw Tcbc M3,0X8 Uni 7687 Galv.	51	1813.078.A20	Adjustment Lever	
8	U208.002	Toothed Washer 3,3X5,8 Uni 3703 G	52	1813.044.A20	Pallet For Regulation	
9	11027723	Ring Nut Of Grind Regulation	53	NE05.062	Microswitch + Wheel	
9	11032640	Stop Grind X Atl700 Ttt D.48	54	U116.004	Screw Aut.Pt Tcb 3,0X16 Wn 1441	
9	1813.103.A20	Ring Nut Of Grind Regulation	55	1813.191.A20	Dispenser Cover	
10	11025692	"Upper Grinding Disk Holder ""Grind 48""	56	11026303	Outside Shell Dispenser	2 M sx
11	12001617	Or 3206 Nbr	56	1813.041.A20	Outside Shell Dispenser	2 M sx
12	11021838	Flat Mill D.43 Tea	57	12000390	Screw Aut.Tcb 2,9X25 Din 7981 C Nik	TTT
13	11025695	"Increase Screw ""Grind 48""	58	129825502	Tcb Screw M4X25 Uni 7687 Znp	2 M sx
14	11027418	Spacer For Screw Of Increase	59	11026304	Tube Conveyor Coffee Lx Atl650	2 M sx
15	11025699	Bearing Rtp 51104	60	129511903	Screw Tcb 2,9X6,4 Din 7981 Bz Nick	
16	11027162	Grinders Cap D.48	61	U109.004	Screw Aut.Tcb 4,8X9,5 Din 7981 C	
17	U701.011	Steel Snap Ring 5 Uni 7434	62	20007420	Motor Brush	
18	1813.046.050	Rubber Grind Support	63	11027395	Coffee Grinder D.48 + Dispenser	
19	12002052	Zn-B Tcb Screw M4X16	63	11031411	Coffee Grinder D.48 + Dispenser	TTT
20	U023.004	Screw Tcei M6,0X12 Uni 5931 Galv.	63	11032637	Coffee Grinder D.48+Dispencer Lx 220/60	
21	128310404	Washer Uni 8842 A4 Burnished	64	U043.023	Screw Tcbc M3,0X18 Uni 7687 Galv.	
22	U207.004	Plain Washer 4,3X16 Uni 6592 Gal	65	11032110	Bush	
23	11025689	"Pulley D.40 ""Grind 48""				
24	11032130	Belt Grinder Coffee				
25	U208.006	Toothed Washer 6,4X11 Uni 3703				
26	12001700	Screw Tcb M4X30 Uni 7687 Znp				
27	11025921	Power Plug Uni-En 28743 D.3X14				
28	11027165	Coffee Grinder D.48				
28	11031412	Coffee Grinder D.48 Ttt				
29	11025694	"Spring ""Grind 48""				
30	11026301	Doser Ass. 6-11 Gr. 220V				
30	11028667	Doser Ass. 6-11 Gr. Lx 220V P&G				
30	1813.A10.A2A	Doser Ass. 6-11 Gr.				
31	11025691	"Lower Grinding Disk Holder ""Grind 48""				
32	11027451	Felt Ring De=47,4 Di=41,4H=4				
33	U116.006	Screw Aut.Pt Tcb 3,5X12 Wn 1441 Znp				
34	1813.159	Antivibration Rubber				
35	11027164	Motor Support Grinders D.48				
36	140321662	O-Ring 2021 Silicone				
37	11025693	"Central Pin ""Grind 48""				
38	1813.104.A20	Adjustment Screw With Tube Holder				
39	11027186	Shell Closure Belt				
40	U127.010	Screw Tapt.Tcb M4,0X10 Din 7500C				
41	129851921	Tsp Screw M3X6 Uni 7688 Ss				
42	1813.042.A20	Dispenser Pallet				
43	9121.235.00A	Electromagnet For Dispenser With Nucleus				
43	9121.235.00N	Electromagnet X Dispenser W/Nucleus 220V				
44	11026302	Dispenser Shell				
44	1813.040.A20	Dispenser Shell				

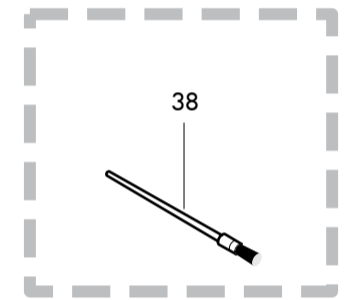
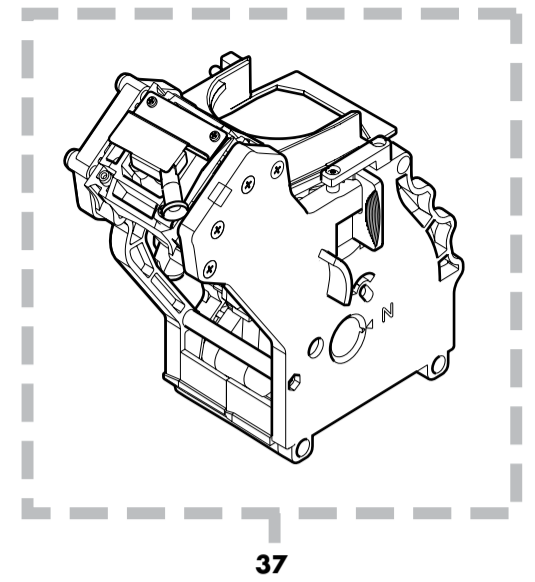
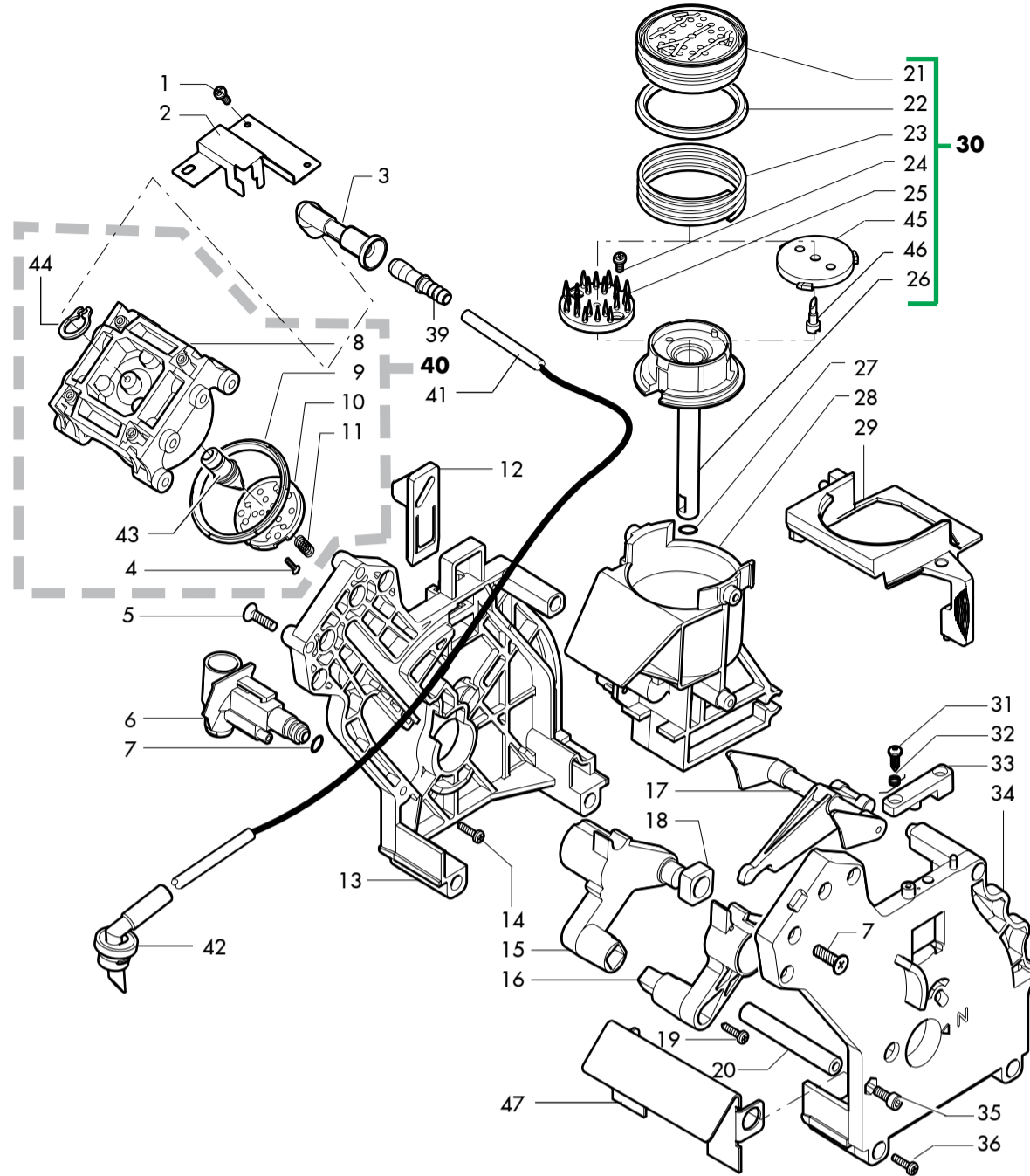
VENDING MACHINE ATLANTE 700
CALDAIA HS2
TABLE 21/28


Pos. Code	Description	Note
1	12001169	Brass Cap 1/8 Gas Conical Tea
2	12001052	Screw Tcei M4,0X6 Din 912 Zin
3	226760100	Retaining Spring 3 Thermostats
4	9991.085	Thermostat Fixing Washer
5	NE09.021	Thermostat 150°Nc Faston 90°
6	9991.029	Nut For Resistor
7	11012528	Upper Casing Boiler 600Cc Tea
8	11000972	Or 3050 Fkm 80 Fd Peroxidica
9	11005367	Heat Element Boiler 230V 1550W
9	11005374	Heat Element Boiler 120V 1100W
10	12000770	Or Orm 4350 Viton
11	11012529	Lower Casing Boiler 600Cc Tea
12	11025316	Ass.Boiler Atlante500 Tea 230V
12	11026694	Hs2 Boiler Atl 650 230V 50Hz Tea
12	11029130	Ass.Boiler Atl700 Tea 120V Etl
12	11030611	Hs2 Boiler Atl 7000 230V 50Hz Tea C.B.
13	9111.501	Insulation Washer
14	12002039	Screw Tcbd Torx 20 M4X12 Zn-B
15	11008250	Boiler Support
16	20006583	Coil Evt Hs2 11012534
16	20007361	Solenoid Evt Ode
17	20006974	Mobile Nucleus Olab 8000-836
17	20007362	Spare Core Ev Ode
18	12001179	Screw Tcei M4,0X12 Uni 5931 8.8 Zin.
19	11012534	Tea Electrovalve 2/3 Way N.C.
20	189428700	Thermostat 175° 1Nt-15L-5126
21	11025082	"1/8""G M/Conical Orient. Nut/Ogy"
22	11005368	Immersion Probe Ass.
23	U302.004	Nut Hexagonal M6 Uni 5588
24	11027089	Water Inlet Connector
25	11025406	Tube Assembly Teflon 3X6 L.250Mm
25	11025410	Tube Assembly Teflon 3X6 L.330Mm
26	11030776	Coffee Boiler 600Cc Upper Isolator
27	11030778	Coffee Boiler 600Cc Upper Isolator
28	11005743	Knurled Female Hand Bolt M14
29	11005741	Connector D.6
30	140321462	O-Ring 2018 Silicone
31	U302.003	Galv.Nut Hexagonal M4 Uni 5589 Zn
32	U109.037	Screw Aut.Tcb 4,8X13 Din 7981 C
33	11013174	Or Orm 0050-20 Fkm 80 Fd Green Peroxida
34	11005370	Pin For Muff
35	11013173	Or Orm 0090-20 Fkm 80 Fd Green Peroxida
36	U324.006	Nut M4 Flanged Indented Base
37	11006046	Peg For Boiler
38	U044.013	Screw Tspc M4,0X12 Uni 7688 Galv.
39	11013431	Phedra Ttt Sleeve Ttt Circuit
40	12001181	Biconical Connect. L M 1/8X06 Tea
41	11030637	Tube Teflon 4X2 L.250
42	NM02.028	Or 2015 Epdm Fda
43	9011.144	Ss Fork For Tube D=4
44	11029569	Connector

Pos. Code	Description	Note
45	12001810	Or 275 De.8,04 Silicone Perno Manicotto
46	20007310	Spare Evt Hs2 11012534
46	20007363	Spare Evt Ode
47	20007312	Spare Or Evt Hs2 11012534
48	20007311	Spare Evt Hs2 11012534
48	20007370	Spare Evt 11012534
49	11032518	Fixing Support Boiler-Plate
50	U110.004	Screw Aut.Tcb 3,5X6,5 Din 7981 F
51	U023.020	Screw Tcei M6X20 Uni 5931 Zin

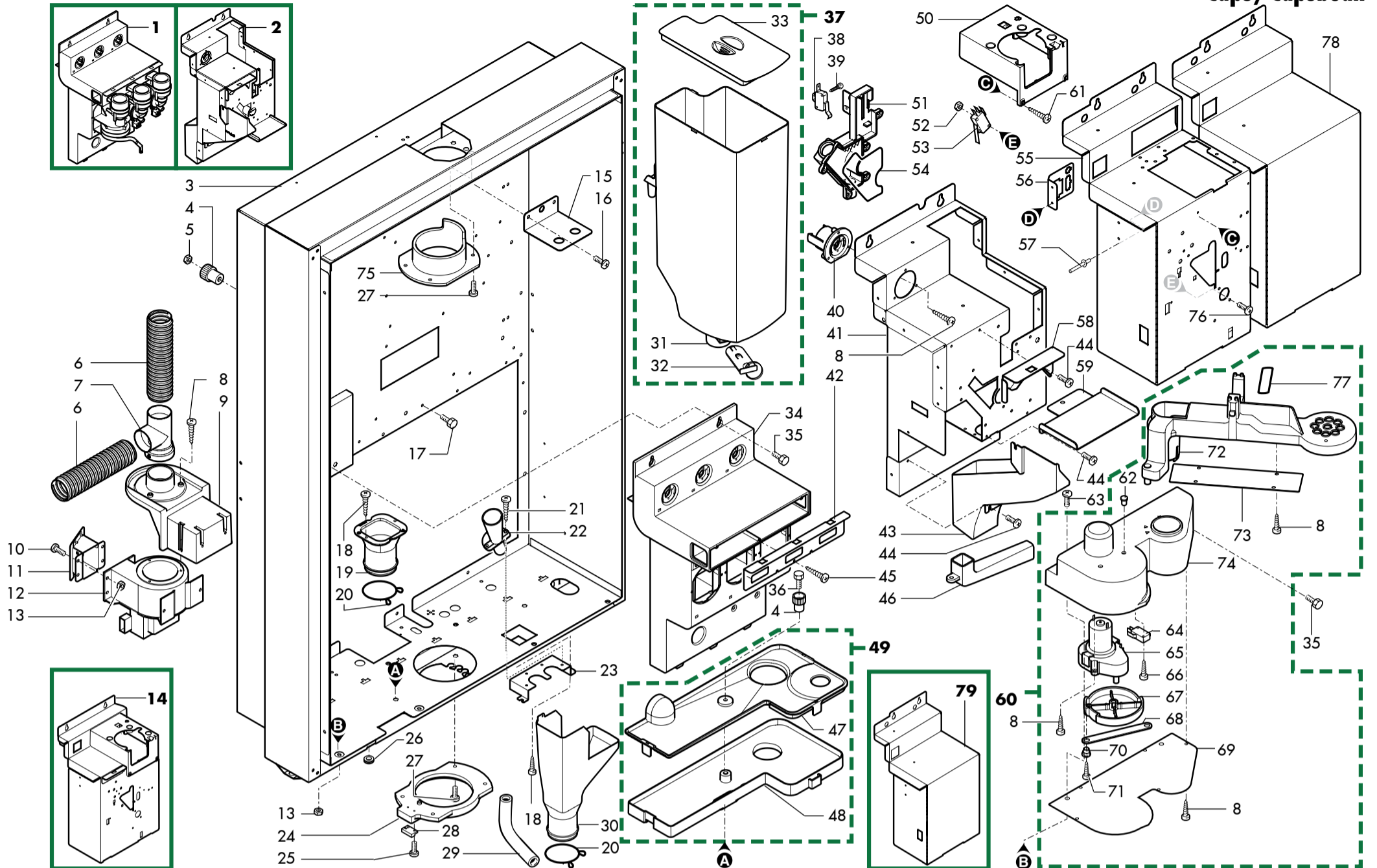
VENDING MACHINE ATLANTE 700

Caps



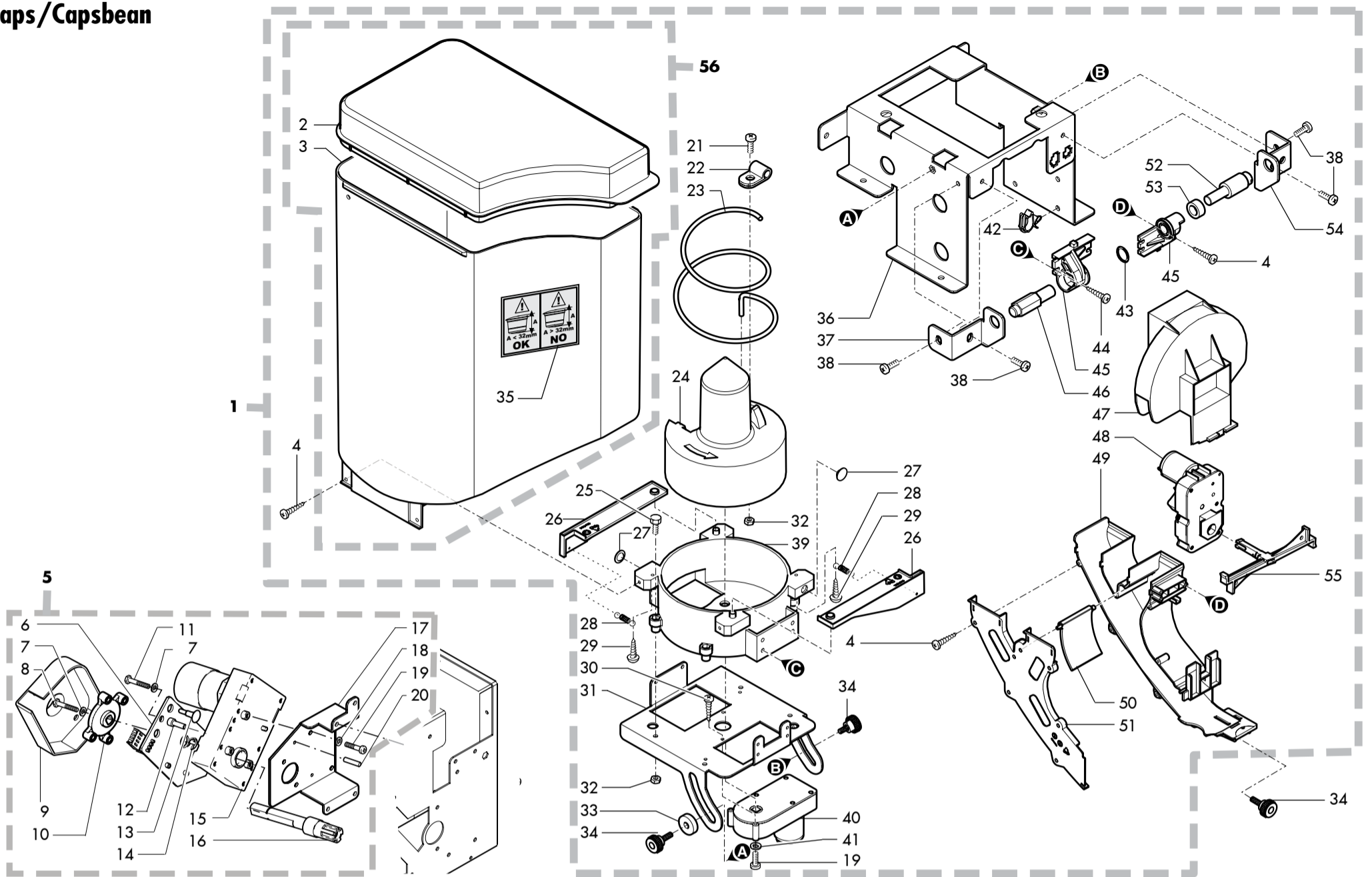
Pos. Code	Description	Note
1	129512921 Screw Tcb Torx 10 Ab 2,9X13 Sheet Ss	
2	11031906 Plate	
3	11004586 Blk Coffee Outlet Conveyor Ocs	CA
3	9161.356 Blk Coffee Outlet Conveyor Lav.	LB
4	129912621 Screw Pt Kb 30X8 Wn 1413 Inox A2	LB
5	129911721 Screw Tsp Torx 4X16 Plast Steel	
6	9161.064.150 Grey Water Inlet Sleeve Brew Unit Royal	
7	NM02.007 Or 2025 In Termoil	
8	11013418 Blk Coff.Capsule Fixed Container V3 Lav.	LB
8	421941306941 Grey Coffee Caps.Fixed Container Atl700	CA
9	11031760 Seal For Brew Unit Caps	LB
9	421941306911 Seal For Brew Unit Caps Ca	CA
10	11031226 Piercer Group Caps	LB
11	126773518 Ss Spring For Coffee Capsule Lav.	LB
11	421941306921 Spring For Steel Pierce Bu Capsule Ca	CA
12	9161.373.150 Grey Brew Unit Coupling Plate Smart	
13	11013396 Black Brew Unit Rear Plate V3 Lav.	
14	12000550 Screw Tcb Torx 10 3X25 Plast.Ss	
15	120080722 Alum.Female Elbow Shaft	
16	120080622 Alum.Male Elbow Shaft	
17	11032146 Grey Brew Unit Connecting Rod Caps	
18	9161.094.050 Black Brew Unit Drilled Block	
19	129574421 Screw Tcb Ph/Tt 4X20 Uni 8112 St.St	
20	9161.298 Brass Spacer	
21	11011770 Casing To Movable Drilling Plate V3 Lav.	LB
21	142906059 Casing To Movable Drilling Plate	CA
22	11026624 Lip Seal For Caps.Expeller Piston V4 Lav	LB
22	145855700 Lip Seal For Expeller Piston Ocs	CA
23	126772418 Coff.Capsule Expeller Piston Spring Lav.	LB
23	126774118 Spiral Spring For Piston Expeller	CA
24	129910921 Screw Tcb Torx 10 3X10 Ss	LB
25	149198000 Coffee Caps.Lower Drilling Support Lav.	LB
26	229211859 Coffee Capsule Expeller Piston Lav.	LB
26	229211959 Coffee Capsule Expeller Piston Ocs	CA
27	NM02.018 Or Orm 0090-25 Termoil	
28	421941306881 Mobile Cont. Bu Caps V3 Atl 700 Assy	LB
28	421941306901 Mobile Container Bu Ocs Caps Atl700 Assy	CA
29	11031018 Hopper Coffee Group	
30	11026626 Piston Expeller Coffee Capsule V4 Assy.	LB
30	227661000 Piston As.Expeller Coff.Capsule Ocs Assy	CA
31	12000895 Screw Tsp Torx 10 3X10 Plast.Ss	
32	9161.378 Ss Hopper Spring For Brew Unit Smart	
33	9161.374.150 Gry Brewunit Hopper Blocking Plate Smart	
34	11014199 Blk Brew Unit Front Plate V3 S/Scr.Lav.	
35	U023.011 Screw Tcei M4,0X10 Uni 5931 Ss A	
36	12000897 Screw Tcb Torx 10 3,5X20 Plast.Ss	
37	11031702 Coffee Group V4 Atlante Caps Blk	LB
37	11032374 Black Brew Unit V2 Atlante Caps Ca	CA
38	127390100 Brush For Cleaning	
39	1040.028.050 Std Toothed Connect. F3/8X09	
40	11031829 Coff.Capsule Fixed Cont.V3 Atl700 Assy.	LB

Pos. Code	Description	Note
41	11032617 Silicone Tube 3,5X6 L=285 Mm	
42	11031990 Nozzle	
43	421941306931 Stainless Steel Piercer Outlet Coffee Ca	CA
44	120340421 Elast.Shaft Retain.Ring D=5 Uni7435	CA
45	149203000 Lower Coff.Capsule Drilling Support Ocs	CA
46	122908721 Stainless Steel Piercer Inlet Water Ocs	CA
47	11032349 Anti-Overturning Plate	



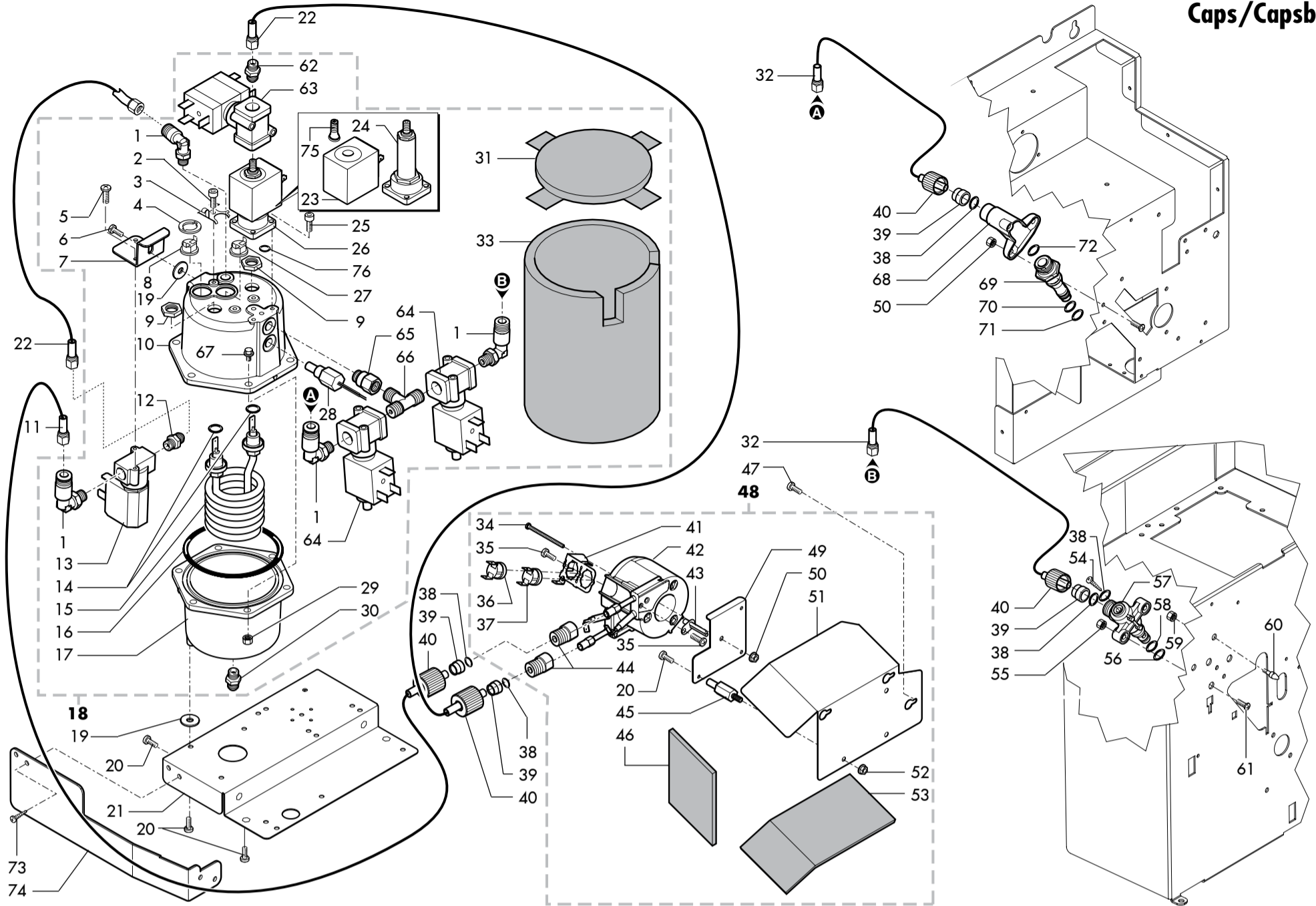
Pos. Code	Description	Note
1	11008243	Ass. Module 3 Motor
2	11031059	Motor Module Caps
3	11032480	Revolving Plate Skin Atl700
4	9111.307.270	Stirrer Plate Knob 8P
5	123160502	Galvanized Nut M5 High Uni 5587-68
6	0894.009	Spiral Tube D.32 L=280 Mm
7	9111.640.060	Tube Connector
8	U116.006	Screw Aut.Pt Tcb 3,5X12 Wn 1441 Znp
9	9111.732.A20	Support
10	U043.015	Screw Tcbc M5,0X12 Uni 7687 Galv.
11	11009123	Ass.Channel Fan Aspiration
12	9121.198.00A	Centrifugal Fan Cap 07
13	U324.003	Nut M5 Flanged Indented Base
14	11031058	Ass. Module Coffee 1 Grind Caps
15	11009909	Support Coffee Container Sg650
16	U127.011	Screw Tapt.Tcb M5,0X8 Din 7500C
17	129720902	Te Screw M5X10 Uni 5739 Znp
18	U110.005	Screw Aut.Tcb 3,9X9,5 Din 7981 F
19	11031007	Conveyor Dump
20	0862.112	Grounds Sack Ring 8P
21	U110.003	Screw Aut.Tcb 3,5X9,5 Din 7981 F
22	9111.527.050	Tube Conveyor Coffee Discharge
23	11032516	Dumping Support
24	11008265	Lower Flange Of Rotation
25	U116.005	Screw Aut.Pt Tcb 3,0X8 Wn 1441
26	NE16.002	Grommet D.11X20,5Xh.7
27	U044.011	Screw Tspc M5,0X16 Uni 7688 Galv.
28	1863.649	Reed For Door
29	11013949	Flexible Tube D.21 L.350Mm
30	0862.111.050	Grounds Duct
31	9111.724	Container For Coffee Bean
32	11010736	Ass.Guillotine Coffee
33	9111.728	Cover For Coffee Container
34	11008244	Module 3 Motor
35	U046.001	Screw Tefz M5,0X16 Uni 6921 Galv.
36	129724305	Te Screw M5X40 Uni 5739 Znp
37	9110.139	Coffee Cont. Ass.
38	NE05.050	Microswitch
39	U116.004	Screw Aut.Pt Tcb 3,0X16 Wn 1441
40	11001574	Flange Fixing Ratiomotor Lip
41	11031039	Coffee Module
42	11008245	Aspiration Steel Sheet At 3
43	11031001	Coffee Convey
44	U127.005	Screw Tapt.Tcb M4,0X8 Din 7500C
45	U116.003	Screw Aut.Pt Tcb 3,0X12 Wn 1441
46	11031764	Conveyor Discharge
47	11025813	Boiler Case Atlante650 Brown
48	11025812	Case Of Condense Atl650 Brown
49	11008270	Case Of Condense
50	11008262	Grind Support
51	11031002	Conveyor Dump Discharge

Pos. Code	Description	Note
52	U324.005	Nut M3 Flanged Indented Base
53	NE05.018	Microswitch
54	11031225	Special Seal
55	11031033	Coffee Module 1 Grind
56	11009912	Connector Support Sg650
57	NF11.115	Blind Rivets
58	11031044	Container Coupler
59	11031042	Sheet Metal Support Group Caps
60	11008186	Arm Support Ass.
61	U110.002	Screw Aut.Tcb 3,5X13 Din 7981 F
62	9161.305.150	Grey 8Gr.Brew Unit Integral Piston Plug
63	U043.031	Screw Tcbc M5,0X40 Uni 7687 Galv.
64	NE05.002	Microswitch
65	11025284	Motoriduttore Fiber 37Rpm
66	U110.012	Screw Tc Wn1412 /Bn13577 Zinc Bia Ka 3X2
67	11008188	Cam Arm
68	11008241	Connecting Rod Arm
69	11008240	Support Arm Plate
70	9111.204	Bush For Spring Compensate Stirrer
71	U116.002	Screw Aut.Pt Tcb 3,5X16 Wn 1441
72	11008187	Nozzle Arm
73	11008242	Support Arm Plate
74	11008189	Support Arm
75	11008268	Upper Pin Of Rotation
76	129824002	Tcb Screw M4X10 Uni 7687 Znp
77	140321762	O-Ring 3218 Silicone
78	11032451	Plate For Module Closing Coffee Grinder
79	11032469	Module Coffee For Monocapsula

Caps/Capsbean


Pos. Code	Description	Note
1	11031751 Loader Complete Atlante Capsbean	LB
1	11032421 Loader Complete Atlante Caps Ca	CA
2	11031009 Cover Container	
3	11031008 Container	
4	U116.006 Screw Aut.Pt Tcb 3,5X12 Wn 1441 Znp	
5	11031060 Ratiomotor Group Caps	
6	11002134 Card 2 Sensor Ratiomotor	
7	U207.002 Plain Washer 4,3X9 Uni 6592 Gal	
8	U005.010 Screw Te M4,0X14 Uni 5739 Galv.	
9	11002211 Card Protection Ratiomotor	
10	11031224 Cam	
11	U005.012 Screw Te M4,0X30 Uni 5739 Galv.	
12	11002964 Space For Central Card 2 Sensory	
13	NL04.014 Spacer Card H=9,5	
14	120340804 El. Shaft Retain.Ring D=8 Uni 7435	
15	12000232 Lip Ratiomotor St.112B 24Vdc 11Rpm	
16	11002133 Joint With Shaft For Ratiomotor	
17	11031770 Support Plate Motor	
18	128310404 Washer Uni 8842 A4 Burnished	
19	129824002 Tcb Screw M4X10 Uni 7687 Znp	
20	U407.001 Elastic Pin 3,0X20 Uni 6874	
21	129825002 Tcb Screw M4X20 Uni 7687 Znp	
22	12001926 Cable Clamp Screw Fastening 6571 Aa00	
23	11031030 Special Spring	
24	11032145 Rotore Caps	LB
24	11032373 Rotore Caps Ca	CA
25	129720102 Te Screw M4X20 Uni 5739 Znp	
26	11031024 Safety Lever Caps	
27	NV01.006 Adhesive Foot	
28	9111.397 Spring For Tray /Lever Coin Recove	
29	U142.008 Panelvit Tsp 3,5X12 Din 7505 A Gal	
30	U140.017 Panelvit Tcb 3,0X20 Din 7505 B Gal	
31	11031019 Support External Rotor	
32	U324.006 Nut M4 Flanged Indented Base	
33	11008644 Lock Pin	
34	12002031 Knob D.18 M5X15	
35	15004268 Adhesive Height Capsule Caffitaly	CA
36	11031783 Support Sheet Metal Caps	
37	11031056 Sx Support Hinge Caps	
38	U127.011 Screw Tapt.Tcb M5,0X8 Din 7500C	
39	11031027 Supporto Esterno Rotore Caps	
40	11031752 Ratiomotor 24V Caps	
41	U207.004 Plain Washer 4,3X16 Uni 6592 Gal	
42	NE17.013 Cable Retainer	
43	NM01.026 O-Ring 121 Silicone	
44	U110.002 Screw Aut.Tcb 3,5X13 Din 7981 F	
45	11007023 Hinge For Roof 5P07	
46	11031782 Pin For Hinge Caps	
47	11031025 Stirrer Drain Cover	
48	11031062 Ratiomotor 24V Caps	
49	11031022 Channel Conveyor Caps	LB

Pos. Code	Description	Note
49	11032638 Channel Conveyor Caps Ca	CA
50	11031021 Switch Channel Conveyor	
51	11031023 Cover Conveyor Caps	
52	11031781 Hinge Screw Caps	
53	11010862 Bush Hinge 5P07	
54	11031054 Rx Support Hinge Caps	
55	11031026 Stirrer Drain Caps	
56	11032669 Container	

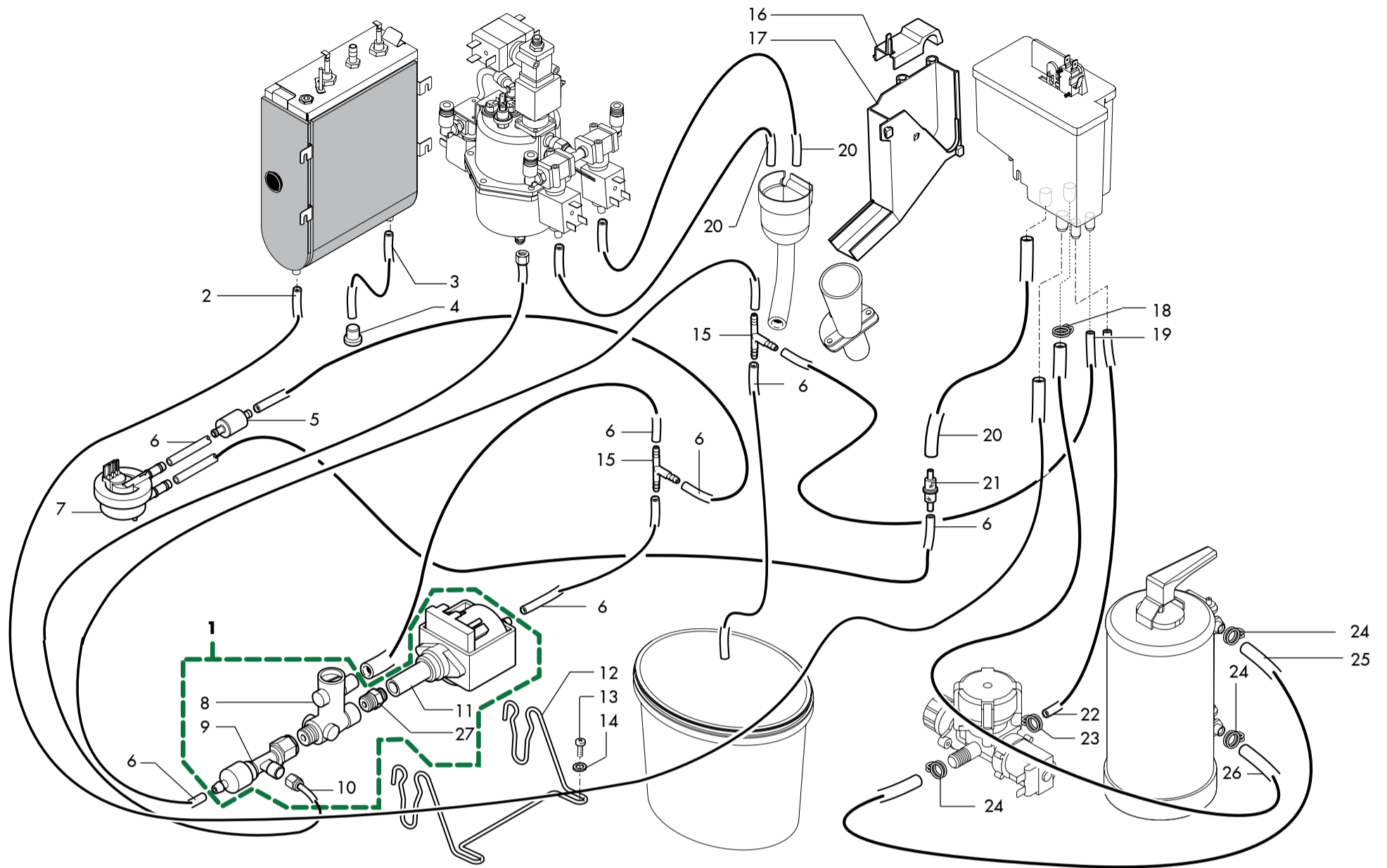


Pos. Code	Description	Note
1	12001181	Biconical Connect. L M 1/8X06 Tea
2	12001052	Screw Tcei M4,0X6 Din 912 Zin
3	226760100	Retaining Spring 3 Thermostats
4	9991.085	Thermostat Fixing Washer
5	U043.007	Screw Tcbc M3,0X8 Uni 7687 Galv.
6	U043.008	Screw Tcbc M5,0X10 Uni 7687 Galv.
7	11008287	Electrovalve Support
8	NE09.021	Thermostat 150°Nc Faston 90°
9	9991.029	Nut For Resistor
10	11012528	Upper Casing Boiler 600Cc Tea
11	11025410	Tube Assembly Teflon 3X6 L.330Mm
12	9991.059	Straight Bicone Connector M 1/8X06
13	12001230	Electrovanne 2 Voies 24V Dc Tea
14	11000972	Or 3050 Fkm 80 Fd Peroxidica
15	11005367	Heat Element Boiler 230V 1550W
16	12000770	Or Orm 4350 Viton
17	11012529	Lower Casing Boiler 600Cc Tea
18	11031827	Double Boiler Caps Atl700 230V 50Hz Tea
19	9111.501	Insulation Washer
20	12002039	Screw Tcbd Torx 20 M4X12 Zn-B
21	11008250	Boiler Support
22	11009782	Tube Ass. For Electrovalve 3 Way
23	20006583	Coil Evt Hs2 11012534
24	20006584	Spare Parts Valve Casing 11005360
25	12001179	Screw Tcei M4,0X12 Uni 5931 8.8 Zin.
26	11012533	Electrovalve 3/2 Way N.C. W/Steam Tea
27	189428700	Thermostat 175° 1Nt-15L-5126
28	11005368	Immersion Probe Ass.
29	U302.004	Nut Hexagonal M6 Uni 5588
30	11027089	Water Inlet Connector
31	11030776	Coffee Boiler 600Cc Upper Isolator
32	11025409	Tube Assembly Teflon 3X6 L.220Mm
33	11030778	Coffee Boiler 600Cc Upper Isolator
34	U043.033	Screw Tcbc M4,0X60 Uni 7687 Znp
35	129573202	Screw Tcb Torx 20 M4X8 Autoforming Zn-B
36	12000804	Thermostat 190° 1Nt-08L-6067
37	11005558	Thermostat 190° Nc Faston 90°
38	140321462	O-Ring 2018 Silicone
39	11005741	Connector D.6
40	11005743	Knurled Female Hand Bolt M14
41	11007907	Tub.Boiler V5 Side Thermos.Fixing Spring
42	282058758	V2 Tub.Boiler N/Addit.Resist.1100W 230V
43	11009589	Steam Probe Sg650
44	11008257	Steam Boiler Connector
45	9111.325	Nozzle Support Pin
46	11011724	Side Steam Boiler Isolator
47	U127.011	Screw Tapt.Tcb M5,0X8 Din 7500C
48	11008266	Ass.Steam Boiler
49	11008251	Steam Boiler Support
50	U324.006	Nut M4 Flanged Indented Base
51	11010727	Boiler Cover

Pos. Code	Description	Note
52	U324.004	Nut M6 Flanged Indented Base
53	11011726	Steam Boiler Isolator
54	U109.037	Screw Aut.Tcb 4,8X13 Din 7981 C
55	U302.003	Galv.Nut Hexagonal M4 Uni 5589 Zn
56	11013174	Or Orm 0050-20 Fkm 80 Fd Green Peroxida
57	11032620	Pin For Muff
58	11013173	Or Orm 0090-20 Fkm 80 Fd Green Peroxida
59	U324.003	Nut M5 Flanged Indented Base
60	11006046	Peg For Boiler
61	U044.013	Screw Tspc M4,0X12 Uni 7688 Galv.
62	9991.133	Straight Conn. 1/8 D6 With Or
63	11032339	"Ev 2 Way 1/8"" 24V Dc Tea D. 2,3Mm"
64	11023762	Electrovalve Olab 3 Ways 24V Dc Tea
65	11031852	Connector 1/8 Gas M/F Tea Caps
66	11011454	Connector For Boiler Tea"
67	U023.020	Screw Tcei M6X20 Uni 5931 Zin
68	11031031	Sleeve Caps
69	9011.100	Peg For Valve In Plastic
70	NM01.035	Or Orm 0090-20 Silicone
71	NM01.057	Or Orm 0050-20 In Silicone
72	140320459	Or Orm 0080-20 Silicone Pt/Fda
73	U110.004	Screw Aut.Tcb 3,5X6,5 Din 7981 F
74	11032518	Fixing Support Boiler-Plate
75	20006974	Mobile Nucleus Olab 8000-836
76	20007312	Spare Or Evt Hs2 11012534

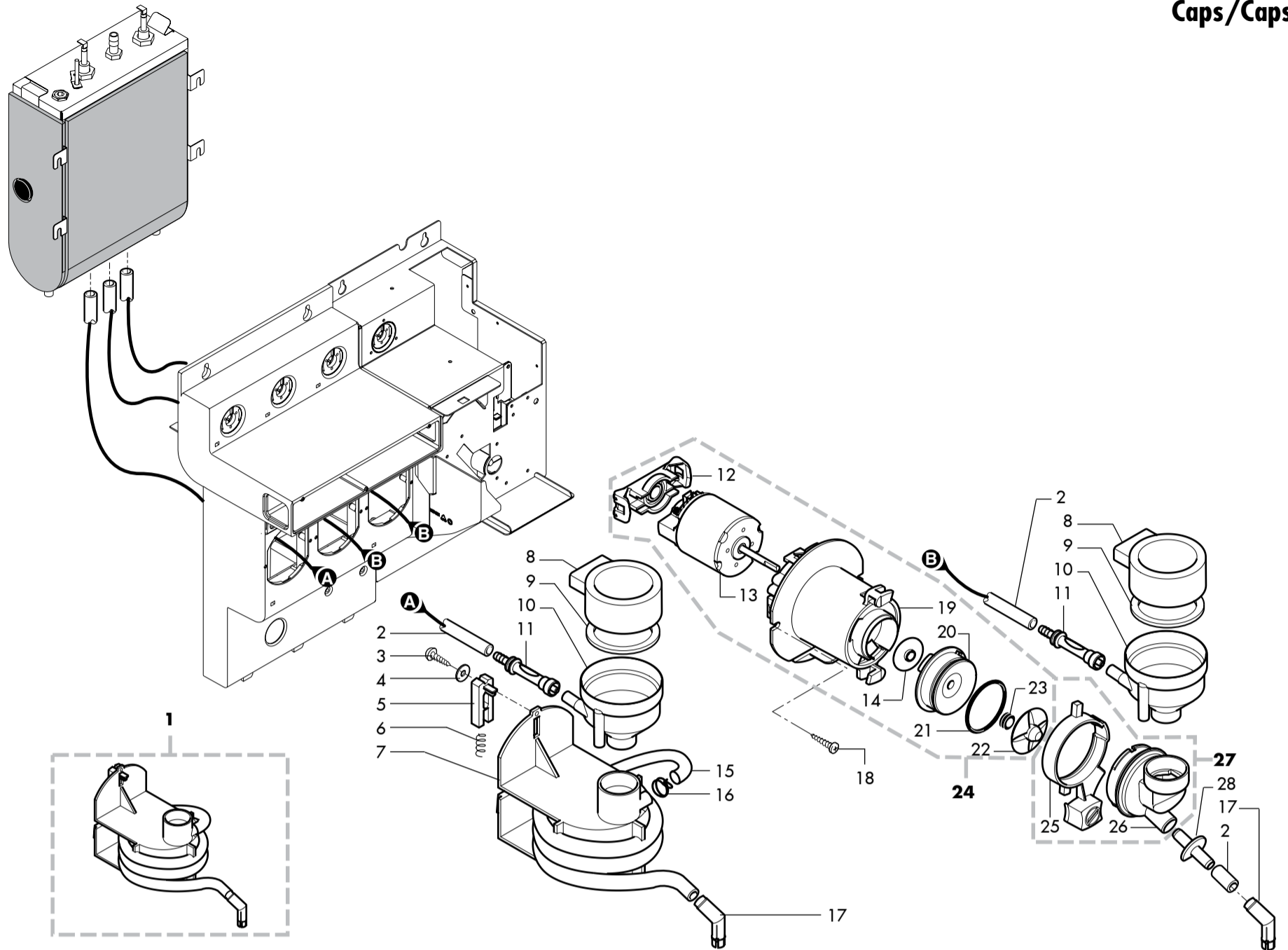
from s.n. 9014ATL0006023

CALDAIA HS3



Pos. Code	Description	Note
1	11032616 Ulka Ex5 Sd1 Atl700 Caps	
2	9972.224 Silicone Tube 7X11 L. 610Mm	
3	9972.313 Silicone Tube 7X11 L.170Mm	
4	NV03.006 Cap Kapsto Lpn 615/010	
5	11032002 Water Filter	
6	9972.247 Silicone Tube 5X10 L.1400Mm	
7	NV99.099 Turbine D=1,2 932-8521/00 Assy.	
8	20007360 Bypass Valve Fluid-O-Tech B7E	
9	11005590 Safety Valve/Non Return Ass. New	
10	11025295 "Teflon Tube 3X6 L.170 1/8"-1/8"	
11	9070.042.00A Ulka Pump Ex5 Sd1	
12	9111.343 Spring For Motor Pump Fixing	
13	12002052 Zn-B Tcb Screw M4X16	
14	U207.004 Plain Washer 4,3X16 Uni 6592 Gal	
15	NV99.004 Connector T Moroni 8026047 D=8	
16	9161.262.060 Drip Channel Cover	
17	9111.528.050 Coffee Discharge Channel	
18	NV99.072 Hose Clamp D. 11.6/12.3	
19	11013436 Silicone Tube 5X10 L.650Mm	
20	9972.055 Silicone Tube 7X11 L.2000Mm	
21	144650300 Aspiration Filter Gauze Net 500 (New)	
22	11009788 Silicone Tube 5X10 L. 1600Mm	
23	184320200 Spring Hose Clamp D=9,5Mm	
24	NV99.050 Hoseclamp D. 13.3/14.1	
25	9972.142 Silicone Tube 7X11 L. 400Mm	
26	11009787 Silicone Tube 7X11 L.1650Mm	
27	11032615 Fitting Adapter Valve	

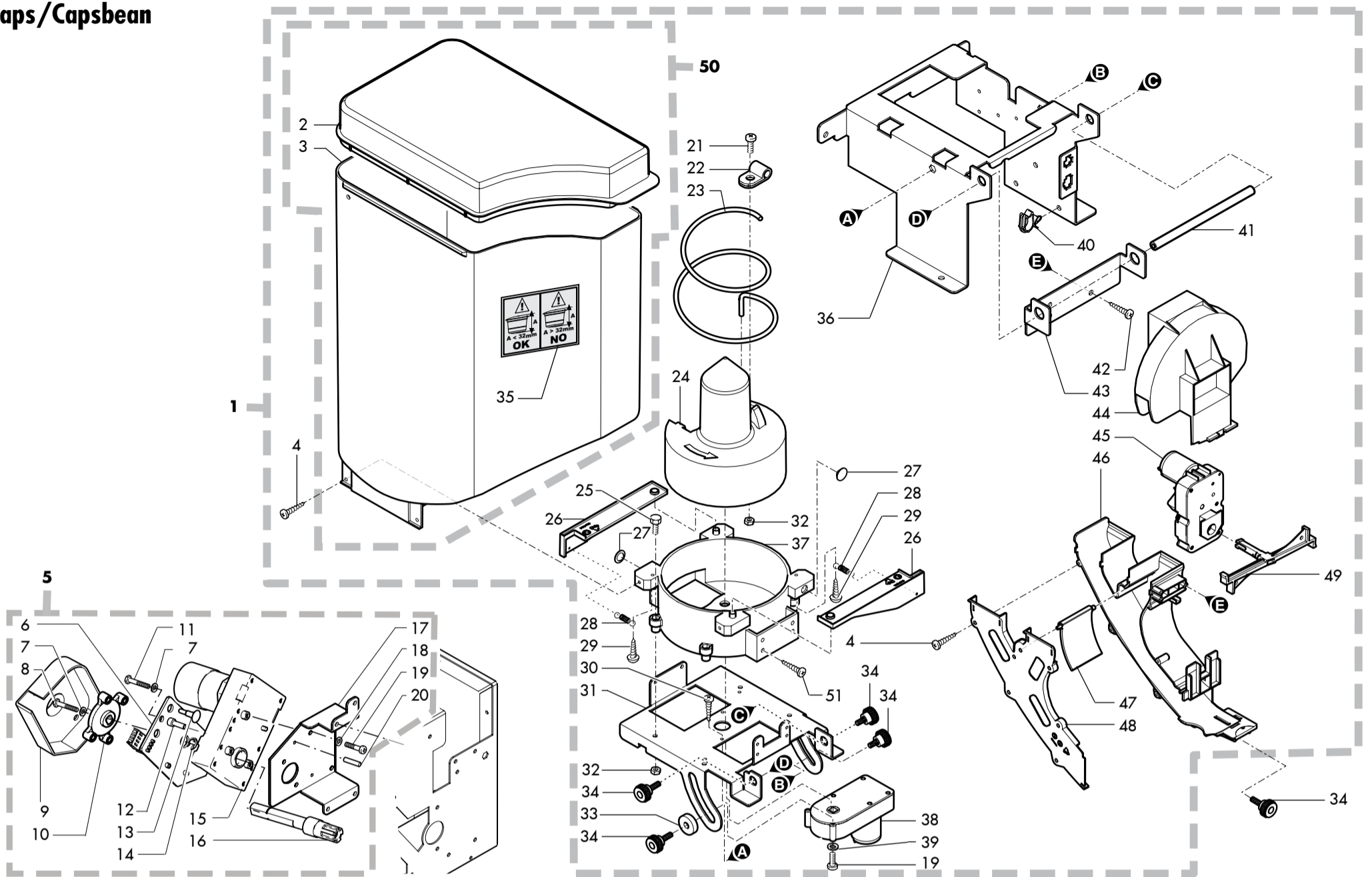
Pos. Code	Description	Note



Pos. Code	Description	Note	
1	1863.A10	Ass.Mixer Fs400	
2	9972.057	Silicone Tube 5X8 L.2000Mm	
3	U116.005	Screw Aut.Pt Tcb 3,0X8 Wn 1441	
4	U207.004	Plain Washer 4,3X16 Uni 6592 Gal	
5	9111.209.060	Cursor For Spiral Mixer Fixing	
6	9111.211	Spring For Mixer Cursor	
7	9111.643.060	Rapid Fixing Mixer	
8	9111.010.060	Lid For Funnel Brown	
9	9111.011.060	Seal For Funnel Brown	
10	9111.009.060	Funnel For Powders Brown	
11	11011394	Nozzle Ass. Espresso D.3	
12	9111.771.270	Motor Coupling Orange Ral	
13	9121.248.00P	Mixer Motor '05 24V Dc	
14	9111.773.060	Motor Protection Ring	
15	9972.055	Silicone Tube 7X11 L.2000Mm	
16	NV99.072	Hose Clamp D. 11.6/12.3	
17	9111.349	Elbow Dispensing Nozzle	
18	U116.006	Screw Aut.Pt Tcb 3,5X12 Wn 1441 Znp	
19	9111.769.150	Mixer Flange	
20	9111.770.060	Cover Mixer Flange	
21	NM03.012	Or Orm 0320-25 Nbr	
22	9111.772.060	Disk Fan	
23	NM05.015	V-Ring Mixer '05	
24	9110.160.06P	Ass.Mixer '05 24V Dc	
25	9111.230.270	Mixer Locking Ring Nut Orange Ral	
26	9111.227.060	Mixer Casing	
27	9110.027.060	Mix Casing Ass.	
28	9111.232.060	Std Tube Holder Sleeve	
28	9111.233.060	Decaff.Tube Holder Sleeve	only decaffeinated coffee

Pos. Code	Description	Note

Caps/Capsbean



Pos. Code	Description	Note	
1	11032832	Loader Complete Atlante Capsbean Evo	LB
1	11032833	Loader Complete Atlante Caps Ca Evo	CA
2	11031009	Cover Container	
3	11031008	Container	
4	U116.006	Screw Aut.Pt Tcb 3,5X12 Wn 1441 Znp	
5	11031060	Ratiomotor Group Caps	
6	11002134	Card 2 Sensor Ratiomotor	
7	U207.002	Plain Washer 4,3X9 Uni 6592 Gal	
8	U005.010	Screw Te M4,0X14 Uni 5739 Galv.	
9	11002211	Card Protection Ratiomotor	
10	11031224	Cam	
11	U005.012	Screw Te M4,0X30 Uni 5739 Galv.	
12	11002964	Space For Central Card 2 Sensory	
13	NL04.014	Spacer Card H=9,5	
14	120340804	El. Shaft Retain.Ring D=8 Uni 7435	
15	12000232	Lip Ratiomotor St.112B 24Vdc 11Rpm	
16	11002133	Joint With Shaft For Ratiomotor	
17	11031770	Support Plate Motor	
18	128310404	Washer Uni 8842 A4 Burnished	
19	129824002	Tcb Screw M4X10 Uni 7687 Znp	
20	U407.001	Elastic Pin 3,0X20 Uni 6874	
21	129825002	Tcb Screw M4X20 Uni 7687 Znp	
22	12001926	Cable Clamp Screw Fastening 6571 Aa00	
23	11031030	Special Spring	
24	11032145	Rotore Caps	LB
24	11032373	Rotore Caps Ca	CA
25	129720102	Te Screw M4X20 Uni 5739 Znp	
26	11031024	Safety Lever Caps	
27	NV01.006	Adhesive Foot	
28	9111.397	Spring For Tray /Lever Coin Recove	
29	U142.008	Panelvit Tsp 3,5X12 Din 7505 A Gal	
30	U140.017	Panelvit Tcb 3,0X20 Din 7505 B Gal	
31	11032699	Support External Rotor	
32	U324.006	Nut M4 Flanged Indented Base	
33	11008644	Lock Pin	
34	12002031	Knob D.18 M5X15	
35	15004268	Adhesive Height Capsule Caffitaly	CA
36	11032710	Support Sheet Metal Caps	
37	11031027	Supporto Esterno Rotore Caps	
38	11031752	Ratiomotor 24V Caps	
39	U207.004	Plain Washer 4,3X16 Uni 6592 Gal	
40	NE17.013	Cable Retainer	
41	11032533	Rotation Pin	
42	U110.002	Screw Aut.Tcb 3,5X13 Din 7981 F	
43	11032534	Support Channel Loader	
44	11031025	Stirrer Drain Cover	
45	11031062	Ratiomotor 24V Caps	
46	11031022	Channel Conveyor Caps	LB
46	11032638	Channel Conveyor Caps Ca	CA
47	11031021	Switch Channel Conveyor	
48	11031023	Cover Conveyor Caps	

Pos. Code	Description	Note	
49	11031026	Stirrer Drain Caps	
50	11032669	Container	