

Diamante Evo

Espresso
230V - 50Hz

EV
OCA
G
R
O
U
P

EV
OCA
G
R
O
U
P

EV
OCA
G
R
O
U
P

EV
OCA
G
R
O
U
P

IT Italiano
EN English
FR Français
DE Deutsch
ES Español



 **Saeco**

DOC. NO. **C0063X00**
EDITION 0 2018-08

(IT)

SOMMARIO

Tav. 01	Telaio / Estetica			
Tav. 02	Contentore caffè/Braccio bicchieri	Frame / aesthetics	Cadre / esthétique	Marco / estética
Tav. 03	Porta inferiore 1	Lower Door 1	Porte inférieure 1	Puerta inferior 1
Tav. 04	Porta inferiore 2	Lower Door 2	Porte inférieure 2	Puerta inferior 2
Tav. 05	Porta superiore	Upper Door	Porte supérieure	Puerta superior
Tav. 06	Circuito Idrraulico	Hydraulic System	Circuit hydraulique	Circuito idraulico
Tav. 07	Contentitori solubili	Soluble containers	Contenants solubles	Contenedores solubles
Tav. 08	Mixer / Elettrovalvole	Mixer / Solenoid valves	Mixer / électrovannes	Mezclador / Válvula de solenoide
Tav. 09	Motoridutt./Caldia caffè/Macinacaffè	GearMotor/Coffee Boiler/Grinder	Motoréducteur/Chaudière à café/Moulin à café	Motorreductor/Caldera de café/Molinillo de café
Tav. 10	Distributore bicchieri	Cup dispenser	Distributeur de lunettes	Dispensador de vasos
Tav. 11	Palettiera	Stirrer dispenser	Distributeur de cuillère	Dispensador de cuchara
Tav. 12	Impianto elettrico	Electric system	Installation électrique	Instalacion eléctrica
Tav. 13	Gruppo caffè 7 gr.	Coffee Group 7 gr.	Groupe de café 7 gr.	Grupo de café 7 gr.
Tav. 14	Gruppo caffè 9 gr.	Coffee Group 9 gr.	Groupe de café 9 gr.	Grupo de café 9 gr.
Tav. 15	Cassetti / Spirali	Drawers / Spirals	Tiroirs / Spirales	Calzoncillos/Espirales
Tav. 16	Gruppo refrigerante	Refrigerating unit	Groupe frigorifique	Unitad de refrigeración
Tav. 17	Kits macchina	Kits Coffee machine	Kits machine à café	Kits máquina de café

(EN)

INDEX

(FR)

INDEX

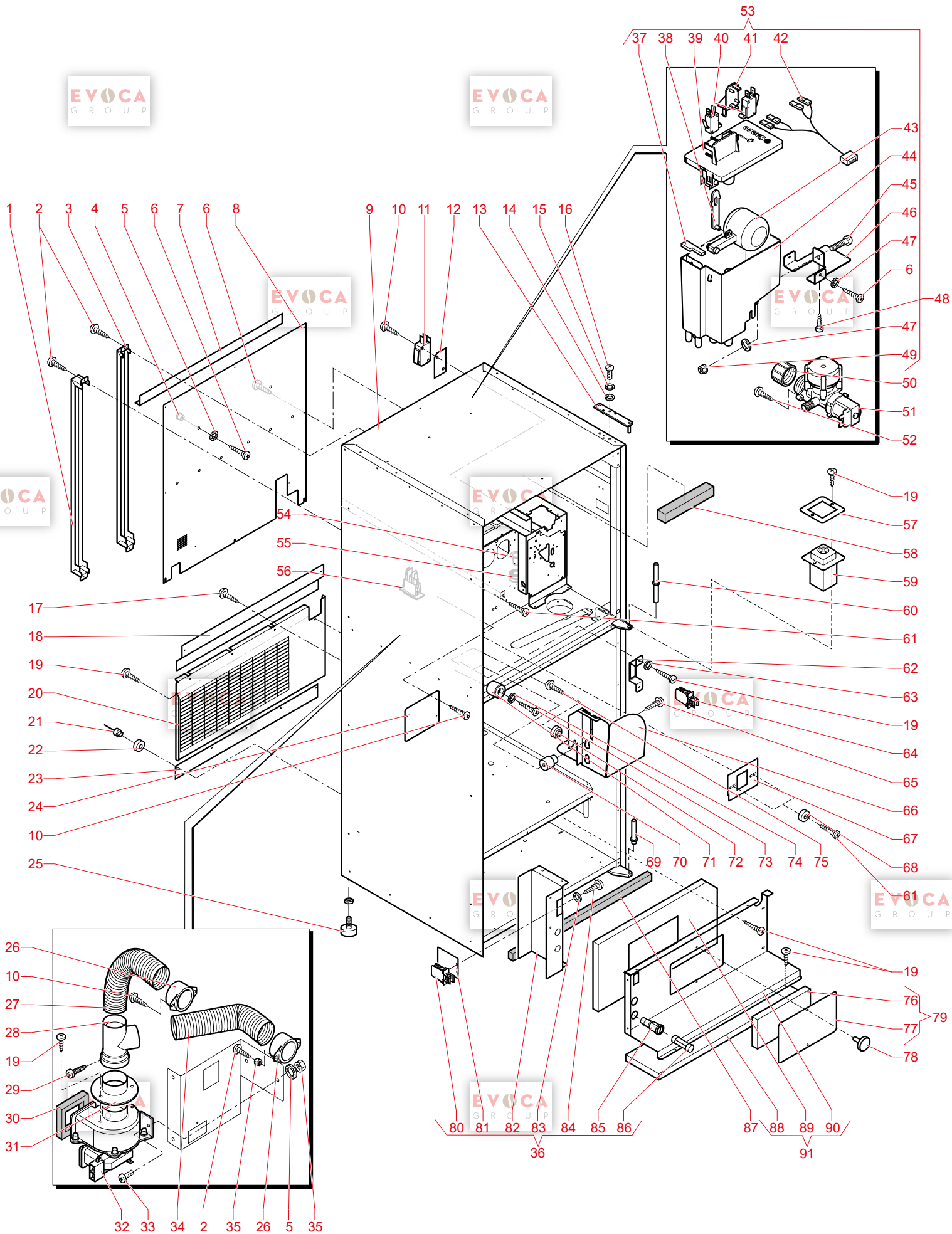
(DE)

VERZEICHNIS

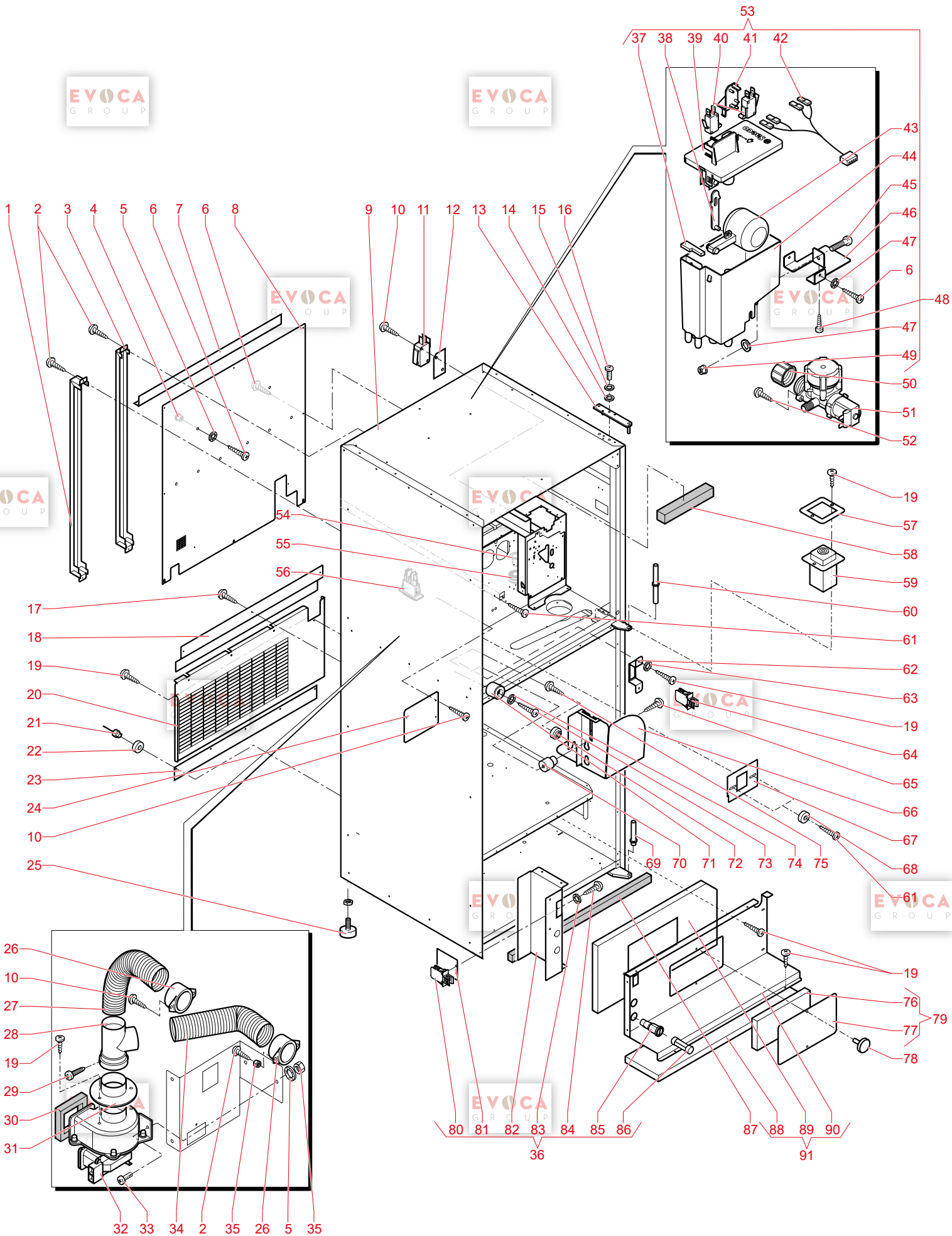
(ES)

INDICE

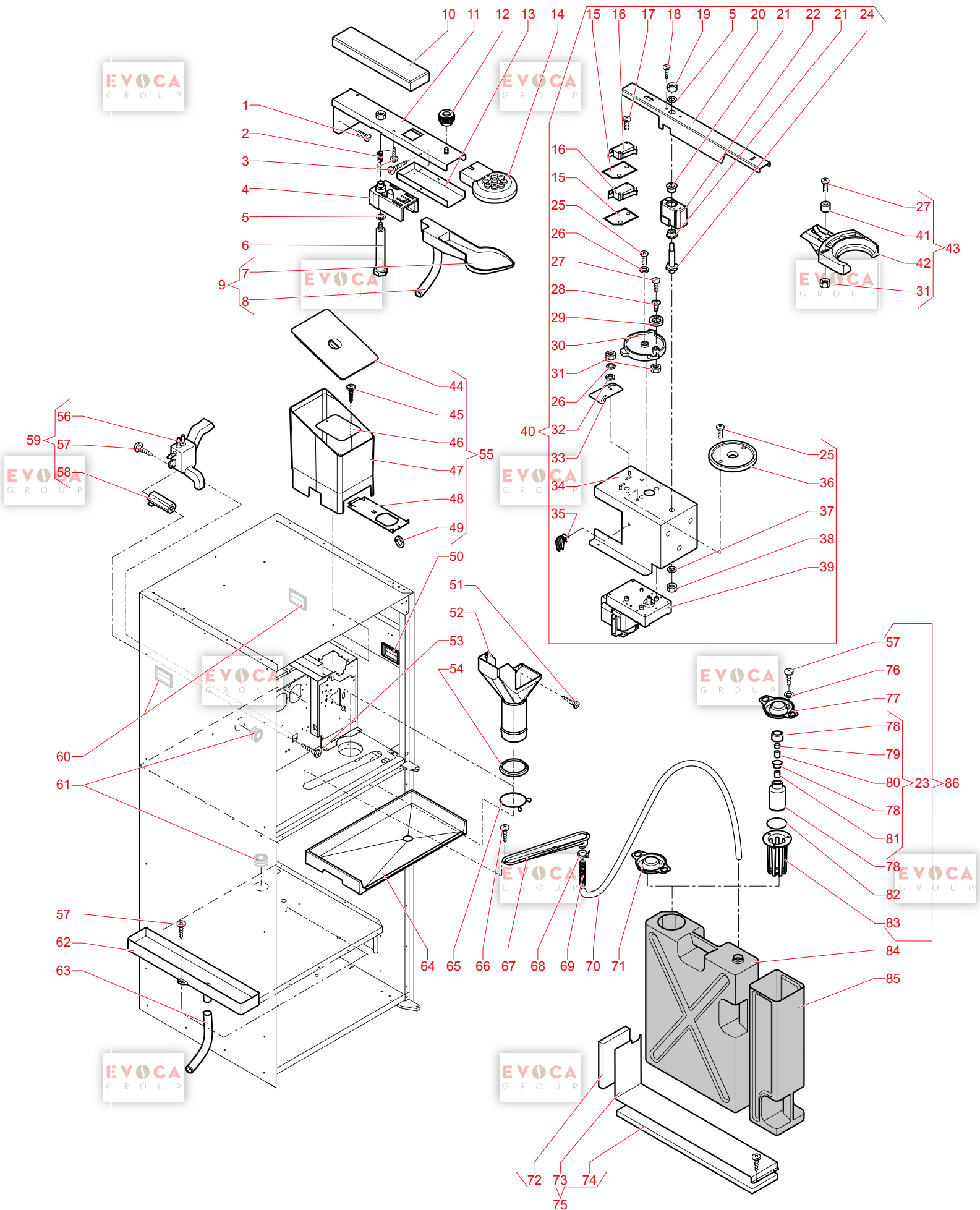




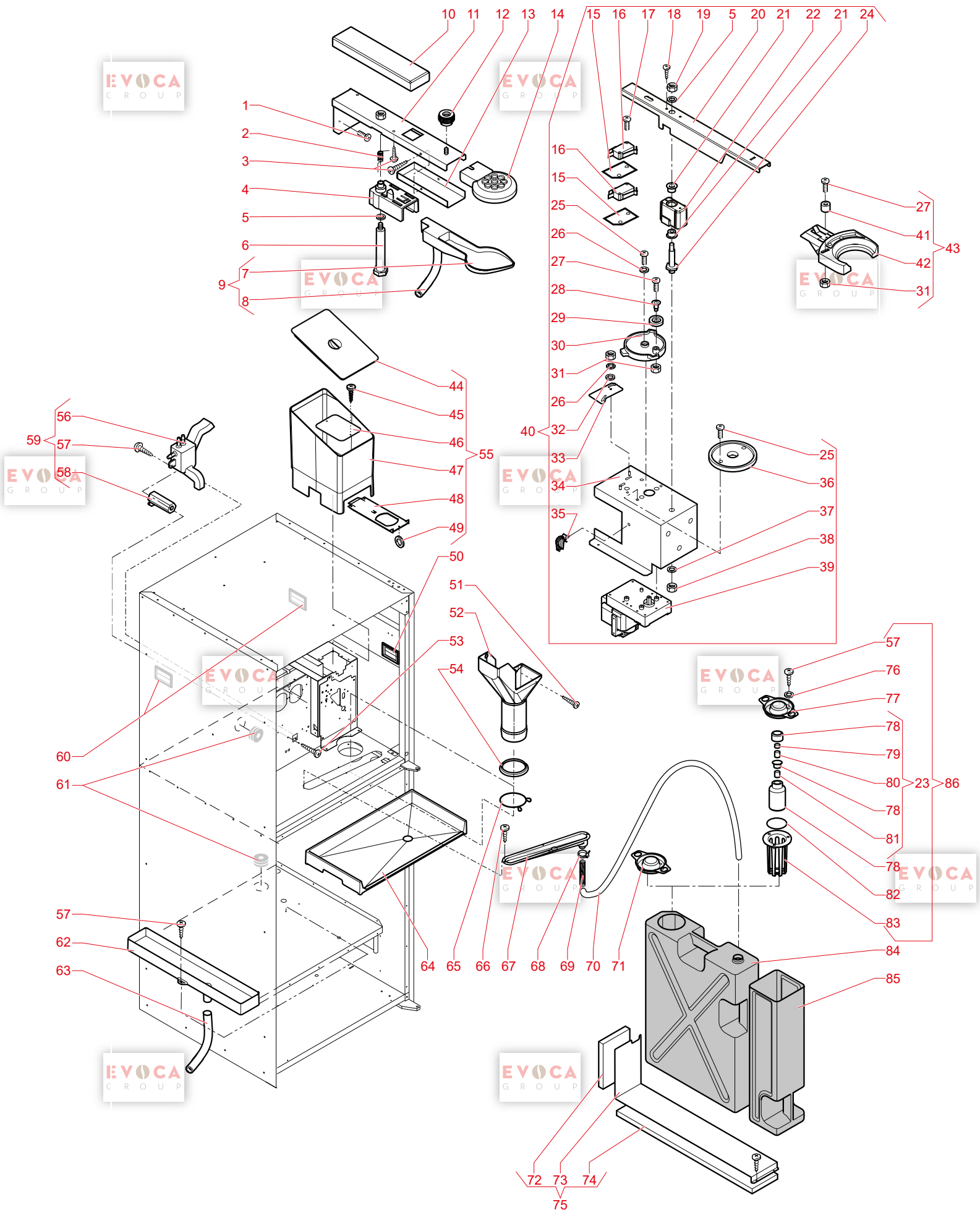
N.POSI	COD	I - DESCRIZIONE	UK - DESCRIPTION	F - DESCRIPTION	D - BEZEICHNUNG	E - DESCRIPCION	NOTE
1	11022519	CANALINA DX X CAVI	RIGHT CHANNEL FOR CABLES	PASSE CABLES DROIT	KABELABDECKUNG RECHTS	CANALINA DX X CAVI	
2	U1102009	VITE AUT.TCB 3.5X9.5 DIN 7981 F	screw AUT.TCB 3.5X9.5 DIN 7981 F	VIS AUT.TCB 3.5X9.5 DIN 7981 F N	Linsen-Blechsch. 3.5X9.5 DIN 79	VITE AUT.TCB 3.5X9.5 DIN 7981 F	
3	11022609	CANALINA SX X CAVI BLK	LEFT TUBE FOR CABLES BLK	PASSE CABLES GAUCHE NOIR	KABELABDECKUNG LINKS BLK	CANALINA SX X CAVI BLK	
4	0875.241	POMELLO X COPERTURA BICOCHIERI	KNOB FOR CUP COVER	ENTRETOISE	Drehknopf zu Abdeckung Bechersp.	POMELLO X COPERTURA BICOCHIERI	
5	128310404	ROSETTA UNI 8842 A4 BRUNITA	WASHER UNI 8842 A4 BURNISHED	RONDELLE 10.5 X 18 UNI 6592 ZNP	Fächerschelbe A4, 3 DIN 6798 verz	ROSETTA UNI 8842 A4 BRUNITA	
6	U109.011	VITE AUT.TCB 3.9X9.5 DIN 7981 C	screw AUT.TCB 3.9X9.5 DIN 7981 C	VIS TCB3.9X9.5DIN7981CNK	Blechschräube 3.9X9.5	VITE AUT.TCB 3.9X9.5 DIN 7981 C	
7	0875.234	GUARNIZIONE POSTERIORE	BACK TRIMMING	JOINT ARRIERE	Hinterer Gummischichtung	GUARNIZIONE POSTERIORE	
8	0875.015	ASS.PANNELLO POSTX DISTRIB.BEVA	REAR PANEL FOR DRINKS DISTRIBUTO	PANNEAU ARRIERE	Gehäuseumwicklung Combi Snack	ASS.PANNELLO POST X DISTRIB.BEVA	
9	11036313	ASS.CARCASSA DIAMANTE BRIDGE BLK	ASSEMBLED BLK CHASSIS DIAMANTE B	ENSEMBLE CHASSIS DIAMANTE NOIR	GEHÄUSE KPLT. DIAMANTE BLK	ASS.CARCASSA DIAMANTE BRIDGE BLK	
10	U110.004	VITE AUT.TCB 3.5X6.5 DIN 7981 F	screw AUT.TCB 3.5X6.5 DIN 7981 F	VIS AUT.TCB 3.5X6.5 DIN 7981 F	Schraube 3.5X6.5 DIN 7981F	VITE AUT.TCB 3.5X6.5 DIN 7981 F	
11	NE05.018	MICROINTERRUTTORE	MICROSWITCH	MICRO INTERRUPTEUR	Microschalter Ausgaberaum	MICROINTERRUTTORE	
12	9991.014	CARTONCINO X MICROINTERRUTTORE	CARD FOR MICRO SWITCHES	PLAQ.SUPP.MICRO INTERRUPTEUR	Isolationsschleibe	CARTONCINO X MICROINTERRUTTORE	
13	11022705	CARDINE SUPERIORE BLK	UPPER HINGE PIVOT BLK	CHARNIERE SUPERIEURE NOIR	SCHIEBE OBEN ZU GEHÄUSEOBERTEIL	CARDINE SUPERIORE BLK	
14	U207.012	ROSETTA PIANA 10.5X18 UNI 6592 Z	PLAIN WASHER 10.5X18 UNI 6592 GA	RONDELLE 10.5 X 18 UNI 6592 ZNP	Schleibe 10.5X18 DIN 125 verzinkt	ROSETTA PIANA 10.5X18 UNI 6592 Z	
15	U208.008	ROSETTA DENT. 10.5X18 UNI 3703 Z	TOOTHED WASHER 10.5X18 UNI 3703	RONDELLE 10.5 X 18 UNI 6592 ZNP	Fächerschleibe A10.5, 5 DIN 6798	ROSETTA DENT. 10.5X18 UNI 3703 Z	
16	U023.002	VITE TCEI M8.0X14 UNI 5931 INO	screw TCEI M8.0X14 UNI 5931 INO	VIS TCEI M8.0X14 UNI 5931 SS	Zylinderschr. M8x14 DIN 912 INOX	VITE TCB 2.9X9.5 DIN 7981 NIK	
17	129512503	DEFLETTORE X PANNELLO EST/FRIGO	SCREW TCB 2.9X9.5 DIN 7981 NICK	VIS TCB 2.9X9.5 DIN 7981 NICK	Linsen-Blechs. 2.9X9.5 DIN 7981	VITE AUT.TCB 3.5X9.5 DIN 7981 C	
18	11004267	VITE AUT.TCB 3.5X9.5 DIN 7981 C	EXTERNAL FREEZER DEFLECTOR	DEFLECTEUR PANNEAU ARRIERE	Linsen-Blechs. 3.5X9.5 DIN 7981	PANNELLO POST. GRUPPO FRIGO	
19	U109.003	PANNELLO POST. GRUPPO FRIGO	SCREW TCB 3.5X9.5 DIN 7981 C NICK	VIS TCB3.5X9.5DIN7981CNK	Linsen-Blechs. 3.5X9.5 DIN 7981	EXPANSION RIVET D.3.9X8 ALLU.	
20	0875.376	ROSETTA DENT. 10.5X18 UNI 3703 Z	BACK PANEL FRIDGE GROUP	PANNEAU ARRIERE GROUPE FROID	Hohlflügeliger zu Kühlaggregat	PANNELLO POST. GRUPPO FRIGO	
21	NF11.085	RIVETTO AD ESPANS. D=4,8X10/ALF	EXPANSION RIVET D.3.9X8 ALLU.	RIVET D.3.9X8 ALLU	Hohlflügeliger zu Kühlaggregat	EXPANSION RIVET D.3.9X8 ALLU.	
22	0875.326	BOCCOLA X DEFLETTORE IN GOMMA	BUSH FOR DEFLECTOR IN RUBBER	RONDELLE CAOUTCHOUC	Hülse zu Gummileiste	COPERCHIO X SCASSO CARTUCCIA FIL	
23	0875.313	DEFLETTORE IN GOMMA X FONDO CARC	GUM Baffle FOR CARCASE BOTTOM	DEFLECTEUR EN CAOUTCHOUC	Gummileiste unten zu Gehäuse	BOCCOCHETTA DI ASPIRAZIONE	
24	0875.340	COPERCHIO X SCASSO CARTUCCIA FIL	COVER FOR FILTER CARTRIDGE	CACHE POUR CARTOUCHE FILTRE	Diebstahlschutz zu Filterpatrone	BOCCOCHETTA DI ASPIRAZIONE	
25	NV01.002	PIEDINO D.34 H.35 CON DADO M10	FOOT D.34 H.35 WITH nut M10	PIED D34 H35	GERÄTEFUß	PIEDINO D.34 H.35 CON DADO M10	
26	0701.029.060	BOCCOCHETTA DI ASPIRAZIONE	APERTURE FOR ASPIRATION	BOUCHE ASPIRATION	Fianisch Absaugschlauch CS, P7	BOCCOCHETTA DI ASPIRAZIONE	
27	0875.424	TUBO X ASPIRATORE POLVERI	TUBE FOR ASPIRATOR	CONDUIT ASPIRATION	ANSAUGSCHLAUCH	RACCORDO TUBO ASPIRAZIONE	
28	9111.640.060	RACCORDO TUBO ASPIRAZIONE	TUBE CONNECTOR	EMBOUIT OF CONNECTION	Anschluß zu Absaugung CS Instant	VITE TSP 2.9X9.5 DIN 7982 INOX	
29	129532521	VITE TSP 2.9X9.5 DIN 7982 INOX	SCREW TSP2.9X9.5 DIN 7982 SS	VIS TSP 2.9X9.5 DIN 7982 INOX	Senk-Blechschr. 2.9X9.5 DIN7982 I	GUARNIZ. X ASPIR.COMBI SNACK	
30	9111.482	GUARNIZ. X ASPIR.COMBI SNACK	SEAL FOR ASPIRATOR COMBI SNACK	JOINT POUR ASPIRATION	Dichtung Ansaugstützen Combi Sna	BOCCOCHETTA X VENTOLA	
31	0701.030.060	BOCCOCHETTA X VENTOLA	APERTURE FOR FAN	BOUCHON VENTILATEUR	Stutzen Ventilator	MOTORE CON VENTOLA 230V	
32	9121.009.00A	MOTORE CON VENTOLA 230V	MOTOR WITH FAN 230V	MOTEUR VENTILATEUR 230V	Ventilatormotor 230 V	VITE TCB M4X10 UNI 7687 ZNP	
33	129824002	VITE TCB M4X10 UNI 7687 ZNP	TUBE FOR ASPIRATOR	CONDUIT ASPIRATION	Schraube M4x10	VITE TCB M4X10 UNI 7687 ZNP	
34	0875.425	DADO ESAGONALE M4 UNI 5589 ZN	GALV.NUT HEXAGONAL M4 UNI 5589 Z	ECROU HEXAGONAL M4 UNI 5589 ZN	Absaugschlauch	DADO ESAGONALE M4 UNI 5589 ZN	
35	U302.003	ASS.MICRO PORTA FRIGO 230V	DOOR MICRO ASS.	ECROU MICRO ASS.	Mutter M4 UNI 5589 ZN	GOMMINO X AIR BREAK	
36	0875.A59	GOMMINO X AIR BREAK	RUBBER FOR AIR BREAK	BIELLE BAC TAMPON	HEBEL zu Ausgleichsbehälter	BIELLA X SERBATOIO ACQUA	
37	9111.632	BIELLA X SERBATOIO ACQUA	CONNECTING ROD TANK WATER	COUVERCLE BAC TAMPON	DECKEL ZU AIRBREAK	COPERCHIO X SERBATOIO AIR BREAK	
38	9111.623	COPERCHIO X SERBATOIO AIR BREAK	LID TANK AIR BREAK	MICROCONTACT	Microschalter zu Schwimm	MICROINTERRUTTORE CROSETTA	
39	NE05.062	MICROINTERRUTTORE CROSETTA	MICROSWITCH + WHEEL	MICRO P/SUPPORT BUSE	Montagewinkel zu Mikroschalter	SUPP.MICRO RUB.M5000 GRI.	
40	9161.207.150	SUPP.MICRO RUB.M5000 GRI.	GREY FAUCET MICRO SUPPORT M5000	CABLAGE MICRO BAC TAMPON	Kabel mit Mikroschalter	CABLAGGIO MICRO LIVELLO	
41	0875.679	GALLEGGIANTE X VASCHETTA AIR BRE	DOOR MICRO HARNESS	FLOTTEUR BAC TAMPON	Galleggiante zu Vaschetta Air Bre	GALLEGGIANTE X VASCHETTA AIR BRE	
42	9111.508	COPERCHIO X SERBATOIO AIR BREAK	DOOR MICRO HARNESS	ECROU	Schraube M5,0x12 UNI 7687 ZNP	SERBATOIO AIR BREAK C/FORO	
43	9111.641	SERBATOIO AIR BREAK C/FORO	TANK AIR BREAK	BAC TAMPON	Schraube M5,0x12 UNI 7687 GALV.	VITE TCB M5.0X12 UNI 7687 ZNP	
44	U043.015	VITE TCB M5.0X12 UNI 7687 ZNP	screw TCB M5.0X12 UNI 7687 GALV	SUPPORT BAC TAMPON	Support zu Ausgleichsbehälter	ROSETTA PIANA 5.5X15 UNI 6593 ZN	
45	U111.653	SUPPORTO AIR BREAK	AIR BREAK SUPPORT	RONDELLE	Schleibe 5.5x15, verzinkt	VITE AUT.TCB 3.9X6.5 DIN 7981 F	
46	U207.009	ROSETTA PIANA 5.5X15 UNI 6593 ZN	PLAIN WASHER 5.5X15 UNI 6593 GA	VIS TCB 3.9X6.5 DIN 7981 F NIK	Mutter M5 mit Flansch	DADO M5 FLANGIATO BASE DENTELLAT	
47	U110.013	VITE AUT.TCB 3.9X6.5 DIN 7981 F	screw AUT.TCB 3.9X6.5 DIN 7981 F	ECROU	ABDECKUNG 3/4"	ELETTROVALVOLA DI SICUREZZA 24V	
48	U324.003	DADO M5 FLANGIATO BASE DENTELLAT	NUT M5 FLANGED INDENTED BASE	SAFETY ELECTROVALVE 24V DC	Elektroventil 24VDC P10	VITE AUT.TCB 3.5X13 DIN 7981 F Z	
49	NV03.002	ELETTROVALVOLA DI SICUREZZA 24V	"CAP 3/4" -KAPSTO 800R 3/4"	VIS TCB 3.5X13	Linsen-Blechschr. 3.5X13 DIN 798	AIR BREAK 2 MICRO	
50	9121.057.00P	VITE AUT.TCB 3.5X13 DIN 7981 F Z	SAFETY ELECTROVALVE 24V DC	BAC TAMPON 2 MICRO	Ausgleichsbehälter kalt	TAPPO KAPSTO GPN 610 U4	
51	U110.002	AIR BREAK 2 MICRO	AIR BREAK 2 MICRO	BAC TAMPON 2 MICRO	Abdeckung Kapsto GPN 610 U4	PRESA MOLVENO BIPOLARE 08167600W	
52	0875.446	TAPPO KAPSTO GPN 610 U4	CAP KAPSTO GPN 610 U4	PASSE CABLE	Kabelführung art. 10196 FA/9	FLANGIA X GUARNIZIONE CAVI	
53	9991.202	PRESA MOLVENO BIPOLARE 08167600W	GROMMET NOSTRUM 10416 QA/16	PRISE MOLVENO BIPOLAIRE 08167600	Steckdose Molveno	SPESSCORE X CONTENITORE SOLUBILI	
54	NE11.030	FLANGIA X GUARNIZIONE CAVI	MOLVENO BIPOLAR SOCKET 08167600W	FIXATION POUR PASSE CABLE	Flansch zu Kabelschutzblende	GUARNIZIONE CAVI	
55	0875.259	SPESSCORE X CONTENITORE SOLUBILI	SPACER FOR SOLUBLE CONTAINER	CALE POUR BAG PRODUITS SOLUBLES	Distanzstück zu Produktbehälter	PERNO X CARDINE INTERMEDIO	
56	0875.159	GUARNIZIONE CAVI	CABLE SEAL	JOINT PASSE CABLE	Kabelschutzblende	PERNO X CARDINE INTERMEDIO	
57	0875.082	PERNO X CARDINE INTERMEDIO	PIN FOR INTERMEDIATE HINGE PIVOT	AXE DE CHARNIERE	Boizen zu Türangel	VITE TCB 2.9X6.4 DIN 7981 BZ NIK	
58	129511903	VITE TCB 2.9X6.4 DIN 7981 BZ NIK	SCREW TCB 2.9X6.4 DIN 7981 BZ NIK	AXE DE CHARNIERE	Boizen zu Türangel	ROSETTA DENT. 3.8X7.5 UNI 3703 B	
59	U208.004	ROSETTA DENT. 3.8X7.5 UNI 3703 B	SUPP. BRACKET DRINKS DOOR MICRO	RONDELLE DENTEE 3.8X7.5 UNI 3703	Befestigungswinkel Mikroschalter	SQUADRETTA SUPP.MICRO PORTA BEVA	
60	NE05.039	SQUADRETTA SUPP.MICRO PORTA BEVA	TOOTHED WASHER 3.8X7.5 UNI 3703	MICRO INTERRUPTEUR BIPOLAIRE	Fächerschleibe A3, 8 DIN 6798 brün	ROSETTA DENT. 3.8X7.5 UNI 3703 B	
61	U109.002	MICROINTERRUTTORE BIPOLARE	BIPOLAR MICROSWITCH	MICRO INTERRUPTEUR BIPOLAIRE	Linsen-Blechschr. 3.5x25 DIN 7981 N.	VITE AUT.TCB 3.5X25 DIN 7981 C N	
62	0875.229	VITE AUT.TCB 3.5X25 DIN 7981 C N	STIRRER CONTAINER SUPPORT	SUPPORT BAG SOLUBLE	Support Produktbehälter	SUPP. X CONT. SOLUBILE	
63	0875.197	PIASTRINO PROTEZIONE BRACCIO ERO	DISPENSING COMPARTM. PROTECT PLA	PLAQUE DE PROTECTION	Hülse zu Support Pulverbehälter	PIASTRINO PROTEZIONE BRACCIO ERO	
64	0875.062	BOCCOLA X PIASTRINO	BUSH FOR PLATE	RONDELLE	Boizen zu Türangel unten	BOCCOLA X PIASTRINO	
65	0875.062	PERNO X CARDINE INFERIORE	PIN FOR LOWER HINGE PIVOT	AXE CHARNIERE INFERIEUR			







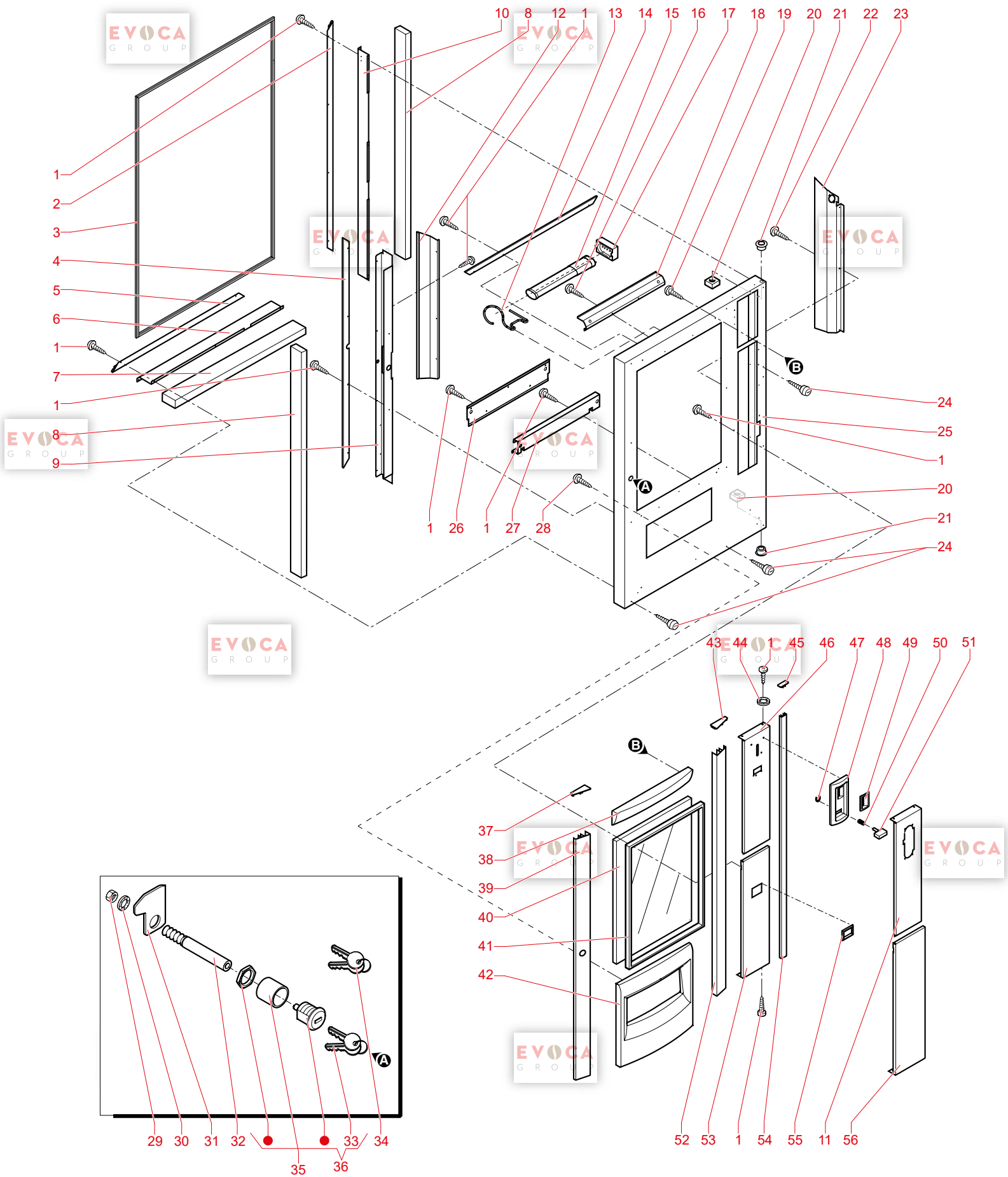
N.POSI	COD	I - DESCRIZIONE	UK - DESCRIPTION	F - DESCRIPTION	D - BEZEICHNUNG	E - DESCRIPCION	NOTE
70	0875.232	DISTANZIALE X SUPPORTO CONT.SOLU	SPACER FOR SOLUBLES CONT.	ENTRETOISE SUPPORT BAC PROD.SOLU	Abstandhalter zu Support Pulverb	DISTANZIALE X SUPPORTO CONT.SOLU	
71	NV01.013	PIEDINO PARACOLPI D.20 X H10	FOOT BUFFER D.20 X H10	PATIN SUPPORT D.20 X H10	Gummipuffer zu Fronttüre	PIEDINO PARACOLPI D.20 X H10	
72	0875.062	BOCCOLA X PIASTRINO	BUSH FOR PLATE	RONDELLE	Hülse zu Support Pulverbehälter	BOCCOLA X PIASTRINO	
73	U109.007	VITE AUT.TCB 3.9X6.5 DIN 7981 C	SCREW SELF.T.CB 3.9X6.5 DIN 7981	VIS SELFT.TCB 3.9X6.5 DIN 7981 C	Linse-Blechs. 3.9x6.5 DIN 7981	ROSETTA PIANA 4.3X8 UNI 1749 ZNP	
74	U203.001	VITE TCB 3.5X13 UNI 6954 NIK	PLAIN WASHER 4.3X8 UNI 1749 GAL	RONDELLE 4.3X8 UNI 1749 ZNP	Schlebe 4.3 x 8 verzinkt	VITE TCB 3.5X13 UNI 6954 NIK	
75	U109.013	POLISTIROLO X PANN. PULIZIA	SCREW TCB 3.5X13 UNI 6954 NIK	VIS AUT.TCB 3.5X13 DIN 7981 C	Linse-Blechschr. 3.5x13 DIN 798	POLISTIROLO X PANN. PULIZIA	
76	0875.302	PANNELLO PULIZIA AMOVIBILE 8/10	BASIC POLYSTYRENE FOR FRIDGE FRO	POLYSTIRENE INF. FRONTAL	Styroporeinsatz zu Reinigungsbl.	POMELLO FILETTATO M4	
77	11006683	PANNELLO PULIZIA AMOVIBILE 8/10	SEMIMOBILE CLEANING PANEL 8/10	PLAQUE DE PROTECTION INTERIEUR	REINIGUNGSKLAPPE KÜHLUNG		
78	9111.607	POMELLO FILETTATO M4	KNOB THREADED M4	BOUTON FILETE M4	Drehknobel M4 mit Gewinde		
79	11009687	ASS.PANNELLO X PULIZIA AMOVIBILE	ASS.PANEL FOR CLEANING REMOVABLE				
80	NE05.039	MICROINTERRUTTORE BIPOLARE	BIPOLAR MICROSWITCH	MICRO INTERRUP.BIPOLAIRE	Mikroschalter Türe 2-polig 230 V	MICROINTERRUTTORE BIPOLARE	
81	0875.174	DISTANZIALE X MICRO PORTA INF.	SPACER FOR LOWER DOOR MICRO	ENTRETOISE CONTACT DE PORTE INF.	Distanzbuchse Mikroschalt. Tür		
82	0875.061	SUPPORTO MICRO PORTA FRIGO	MICRO SUPPORT FRIDGE DOOR	SUPPORT MICRO	Halterung zu Mikroschalter		
83	U208.003	ROSETTA DENT. 5.1X9 BRU	TOOTHED WASHER 5.1X9 BRU	RONDELLE 5.1X9.9 BRU	Zahnschleibe ø5.1x9	ROSETTA DENT. 5.1X9 BRU	
84	U109.041	VITE AUT.TCB 4.8X19 DIN 7981 C N	screw AUT.TCB 4.8X19 DIN 7981 C	VIS AUT.TCB 4.8X19 DIN 7981 C	Linse-Blechschrabe TCB 4.8x19		
85	NE13.016	PORTAFUSIBILE CON TAPPO A VITE	FUSE HOLDER WITH SCREW ON CAP	PORTE FUSIBLES	Sicherungshalter	PORTAFUSIBILE CON TAPPO A VITE	
86	NE13.002	FUSIBILE 6.3X32 8A 250V RITARDAT	FUSE 6.3X32 8A 250V DELAYED	FUSIBLE 6.3X3.2 8A 250V	Sicherung Glasrohr 8A 250V	FUSIBILE 6.3X32 8A 250V RITARDAT	
87	0875.323	ISOLANTE X FONDO CARCASSA	INSULATOR FOR CASING FUND	ISOLANT	Isolierung Gehäuseunterteil		
88	0875.301	POLISTIROLO BASE X PANN.ANT.FRIG	PANEL	POLYSTIRENE SOCLE AVANT INF	Styroporeinsatz unten zu Kühlagg	POLISTIROLO BASE X PANN.ANT.FRIG	
89	0875.290	POLISTIROLO ANT. X PANN.ANT.FRIG	FRONT POLYSTYRENE FOR FRIDGE FRO	POLYSTIRENE POUR PANNEAU AVANT I	Styroporeinsatz vorne zu Kühlagg	POLISTIROLO ANT. X PANN.ANT.FRIG	
90	11008680	ASS.PANNELLO PROTEZIONE ANT. FRI	FRONT PANEL FRIDGE PROTECTION 8/	ENSEMBLE PANNEAU DE PROTECTION A	FRONTBLLENDE KÜHLAGREGAT		
91	11009696	ASS.PANNELLO PROTEZ. ANT. FRIGO	COMPR.CLOSURE PANEL.ASS. 8/10				



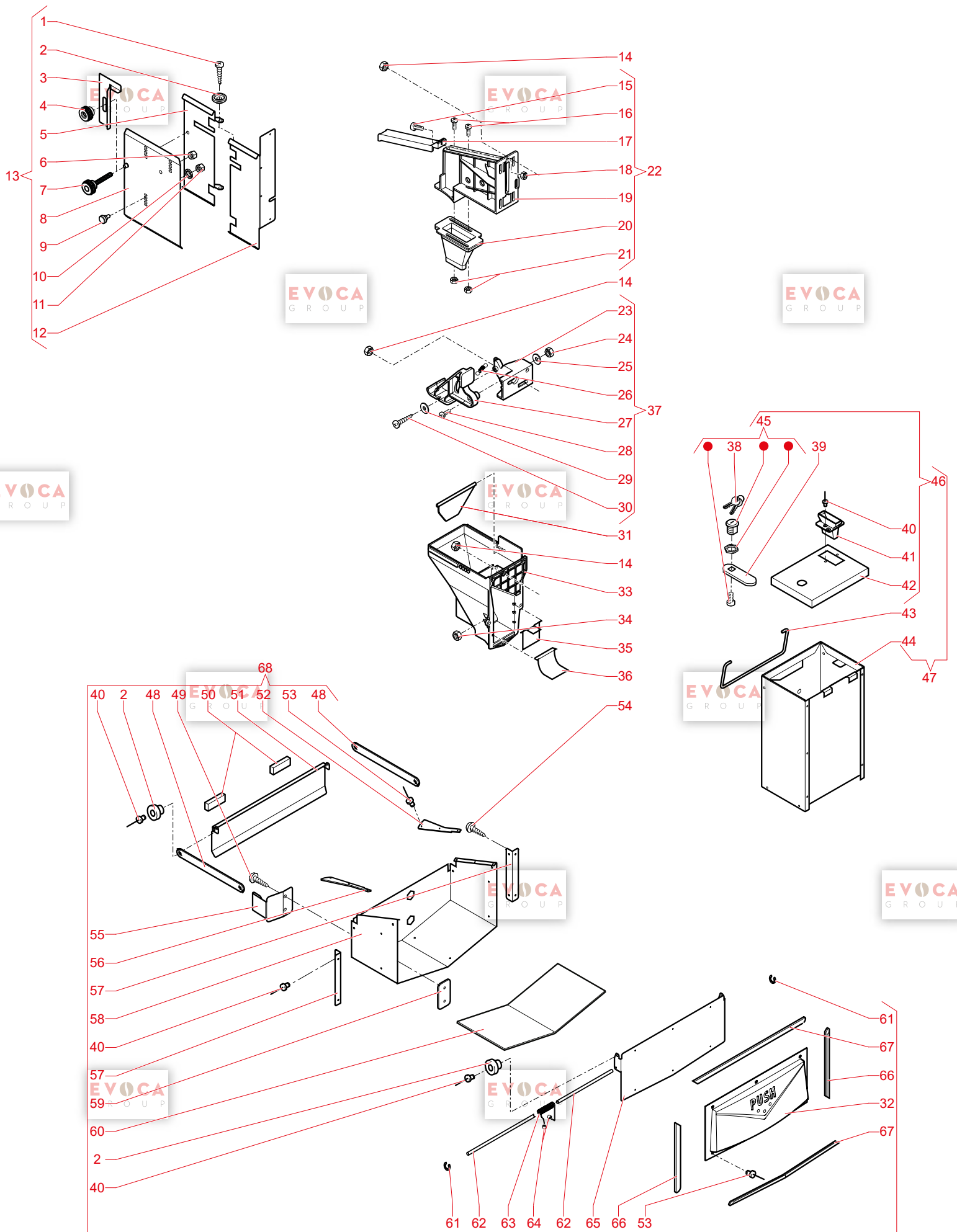
N.POSI	COD	I - DESCRIZIONE	UK - DESCRIPTION	F - DESCRIPTION	D - BEZEICHNUNG	E - DESCRIPCION	NOTE
1	U043.007	VITE TCBC M3,0x8 UNI 7687 ZNP	screw TCBC M3,0x8 UNI 7687 GALV.	VIS TCBCM3X8UNI 7687 ZNP	Linsenschraube M3x8 DIN 7985 ver	VITE TCBC M3,0x8 UNI 7687 ZNP	
2	0875.228	MOLLA TORSIONE X SUPP. CONV.	PIN FOR DISPENSER CONVEYOR SUPPO	RESSORT	Torsionsfeder zur Befestigungsb.	MOLLA TORSIONE X SUPP. CONV.	
3	U109.018	VITE AUT.TCB 3,5X6,5 DIN 7981 C	screw AUT.TCB 3,5X6,5 DIN 7981 C	SUPPORT DE SORTIE	Support au produit	VITE AUT.TCB 3,5X6,5 DIN 7981 C	
4	0875.154	SUPPORTO X CONVOGLIATORE EROGATO	SUPPORT FOR DISPENSER CONVEYOR	SUPPORT DE SORTIE	Support au produit	SUPPORTO X CONVOGLIATORE EROGATO	
5	0875.166	RONDELLA X PERNO SUPP.CONVOGLIAT	LEFT LOWER STRIP	RONDELLE D'AXE	Unterfangescheibe zur Support	RONDELLA X PERNO SUPP.CONVOGLIAT	
6	0875.192	PERNO X SUPP. CONVOGLIAT. EROG.	PIN FOR DISPENSER CONVEYOR SUPPO	AXE SUPERIEUR DE SORTIE	Stift Kaffeekauslauf	PERNO X SUPP. CONVOGLIAT. EROG.	
7	0875.128	CONVOGLIATORE X EROGATORE	CONVEYOR FOR DISPENSER	CONVEYEUR EAU USEES	Kaffeekauslaufunterteil	CONVOGLIATORE X EROGATORE	
8	9974.030	TUBO PVC 16X20 L.120 MM	PVC TUBE 16X20 L.120 MM	TUBE PVC 16X20 L.120 MM	Schlauch ø16x20 L=120mm PVC	TUBO PVC 16X20 L.120 MM	
9	9110.093	ASS.CONVOGLIATORE	CONVEYOR ASS.				
10	0875.411	CARTER SUPER ASPIRAZIONE EROGATO	UPPER ASPIRATION CASING	CARTER SUPERIEUR	Abdeckung Vorderseite zur Absauge	CARTER SUPER ASPIRAZIONE EROGATO	
11	1843.014	ASS.STAFFA SUPPEREROGATORE X ASPI	ASS BRACKET SUPPORT DISPENSER	ENS SUPPORT D'EROGATION	GS-Serviceankerarm CS	ASS. STAFFA SUPPEREROGATORE X ASPI	
12	12002034	VOLANTINO ZIGRINATO D.18 BOCC.OT	KNOB WITH BUSH M5	KNOB WITH BUSH M5	Knopf mit Bush M5	VOLANTINO ZIGRINATO D.18 BOCC.OT	
13	0875.410	CARTER INFER ASPIRAZIONE EROGATO	LOWER ASPIRATION CASING	CARTER INFERIEUR	Unterfangescheibe	CARTER INFER ASPIRAZIONE EROGATO	
14	0870.066.050	FLANGIA SUPP.UGELLI NERO	NOZZLE SUPPORT FLANGE BLACK	NOZZLE SUPPORT FLANGE BLACK	Unterfangescheibe	FRANGIA SUPP.UGELLI NERO	
15	9991.014	CARTONCINO X MICROINTERRUTTORE	CARD FOR MICRO SWITCHES	CARD FOR MICRO SWITCHES	Isolationsscheibe	CARTONCINO X MICROINTERRUTTORE	
16	NE05.002	MICROINTERRUTTORE	MICRO SWITCH	MICRO MOTEUR REDUC DA5P	Microschalter 3-polig P7/P8/P10	MICROINTERRUTTORE	
17	U034.023	VITE AUT.PT.TCB 3,0X12 WN 1441 Z	screw AUT.PT.TCB 3,0X12 WN 1441	VIS M3X0,25 UNI 6107	Spax-Schraube 3x12 DIN 7981 verz	VITE AUT.PT.TCB 3,0X12 WN 1441 Z	
18	U116.003	DADO AUTOBLOC.M8 UNI 7473 ZNP	nut SELF LOCK.M8 UNI 7473		Mutter UNI 7473 M8 ZNP selbstsper	DADO AUTOBLOC.M8 UNI 7473 ZNP	
19	U310.005	BRACCIO MOBILE	MOBILE ARM	ECROU AUTOBLOQUANT.M8 UNI 7473	MOBILE ARM	BRACCIO MOBILE	
20	0875.021	BOCCOLA X PERNO BRACCIO	BUSH FOR ARM PIN	BLOCAGE AXE DE BRAS	Hülse zu Bolzen Produktkauf	BOCCOLA X PERNO BRACCIO	
21	0875.027	SOSTEGNO BRACCIO	ARM SUPPORT	SOUTIEN DE BRAS	Schwimmer für Restwasserniveau	SOSTEGNO BRACCIO	
22	0875.023.050	ASS.GALLEGGIANTE X LIVELLO SCARI	FLOAT ASS. FOR LEVEL LOAD	FLOTTEUR COMPLET	Schwimmer für Restwasserniveau	ASS. GALLEGGIANTE X LIVELLO SCARI	
23	9120.035	PERNO X BRACCIO	PIN FOR ARM	AXE DE BRAS	Bolzen zu Produktkauf	PERNO X BRACCIO	
24	0875.028	ROSETTA UNI 8842 A4 BRUNITA	TCB SCREW M4X10 UNI 7687 ZNP	VIS TCB M4X10 UNI 7687	Schraube M4x10	ROSETTA UNI 8842 A4 BRUNITA	
25	129824002	ROSETTA UNI 8842 A4 BRUNITA	WASHER UNI 8842 A4 BURNISHED	RONDELLE UNI 8842 A4	Fächerscheibe A4, 3 DIN 6798 verz	ROSETTA UNI 8842 A4 BRUNITA	
26	128210404	VITE M4 0X30 UNI 7688 ZNP	screw TSP M4 0X30 UNI 7688 GALV.	VIS M4	Schraube M4x30 DIN 965 verzinkt	VITE M4 0X30 UNI 7688 ZNP	
27	U044.023	BOCCOLA X ROTELLA BRACCIO	BUSH FOR ARM WHEEL	AXE DE ROULETTE	Hülse zu Produktkauf	BOCCOLA X ROTELLA BRACCIO	
28	0875.024	ROTTOLA X BRACCIO	WHEEL FOR ARM	ROULETTE DE BRAS	Rädchen für Brüharm	ROTTOLA X BRACCIO	
29	0875.024.050	CAMMA BRACCIO	ARM CAM	CAME COMBINSNACK	Nockenscheibe für Brüharm	CAMMA BRACCIO	
30	0875.022.050	DADO ESAGONALE M4 UNI 5689 ZN	GALV.NUT HEXAGONAL M4 UNI 5689 Z	ECROU HEXAGONAL M4 UNI 5689 ZN	Mutter M4 UNI 5689 ZN	DADO ESAGONALE M4 UNI 5689 ZN	
31	U302.003	ROSETTA PIANA 4,3X9 UNI 6592 ZNP	PLAIN WASHER 4,3X9 UNI 6592 GAL	RONDELL 4,3 x 9 UNI 6592 ZNP	Scheibe A4, 3 DIN 125 verz.	ROSETTA PIANA 4,3X9 UNI 6592 ZNP	
32	U207.002	PIASTRINO X MICRO	PLATE FOR MICRO	PLAQUETTE MICRO	Plättchen zu Mikroschalter	PIASTRINO X MICRO	
33	0875.025	SUPPORTO BRACCIO MOBILE	MOBILE ARM SUPPORT	SUPPORT BRAS MOBILE	Support zu Produktkauf bewegl	SUPPORTO BRACCIO MOBILE	
34	0875.020	FERMACAVO	CABLE RETAINER	CABLE RETAINER	Kabelhalterung	FERMACAVO	
35	NE17.013	PATTINO X CAMMA BRACCIO	SLID FOR ARM CAM	PATIN POUR CAME DE BRAS	Gleitstück zu Exzentscheibe	PATTINO X CAMMA BRACCIO	
36	0875.267	ROSETTA PIANA 10,5X18 UNI 6592 Z	PLAIN WASHER 10,5X18 UNI 6592 GA	RONDELLE 10,5 X 18 UNI 6592 ZNP	Scheibe 10,5x18 DIN 125 verzinkt	ROSETTA PIANA 10,5X18 UNI 6592 Z	
37	U207.012	DADO ESAGONALE M10 UNI 5688 ZNP	nut HEXAGONAL M10 UNI 5688	VIS	Sechskantmutter M10 DIN 985 verz	DADO ESAGONALE M10 UNI 5688 ZNP	
38	U302.006	MOTORIDUTTORE MOVIM.BRACCIO 230V	ARM MOVEMENT RATIO MOTOR 230V 50H	MOTOREDUCTEUR BRAS COMBISNACK 23	GS-Servomotor 230V Combi/5h	MOTORIDUTTORE MOVIM.BRACCIO 230V	
39	9121.157.00A	ASS.SUPPORTO BRACCIO COMBI	ARM SUPPORT ASS. COMBI	VIS SUPPORT BRAS COMBI 230V 50HZ	Produktkauf kpl. Combi Snack	ASS. SUPPORTO BRACCIO COMBI	
40	9110.045.00A	PERNO X ESPULSORE PALETTE	PIN FOR STIRRER EXPPELLER	AXE EXPULSION PALETTE	Bolzen zu Rührstäbchenauswerfer	PERNO X ESPULSORE PALETTE	
41	0875.031.050	SUPPORTO X BICCHIERE EURO	CUP SUPPORT EURO	SUPPORT GOBELET	Becherhalterung EURO	SUPPORTO X BICCHIERE EURO	
42	0875.029.050	ASS.SUPPORTO BICCHIERE	CUP SUPPORT ASS.		CUP SUPPORT	ASS. SUPPORTO BICCHIERE	
43	9111.267.060	COPERCHIO CONTENITORE CAFFE'	COFFEE CONTAINER LID	COUVERGLE BAC A CAFE	Deckel Bohnenbehälter P8 / Combi	COPERCHIO CONTENITORE CAFFE'	
44	129512503	VITE TCB 2,9X9,5 DIN 7981 NIK	SCREW TCB 2,9X9,5 DIN 7981 NICK	VIS TCB 2,9X9,5 DIN 7981	Linsen-Blechs 2,9x9,5 DIN 7981	VITE TCB 2,9X9,5 DIN 7981 NIK	
45	9111.268	PIASTRA IN ACCIAIO X CONTENITORE	STEEL PLATE FOR CONTAINER	PLAQUE POUR BAC A GRAIN	Fingerschutz Bohneneinlauf	PIASTRA IN ACCIAIO X CONTENITORE	
46	11036335	CONTENITORE CAFFE' 2,8KG LAVORAT	COFFEE CONTAINER 2,8KG	COFFEE CONTAINER 2,8KG	COFFEE CONTAINER 2,8KG	CONTENITORE CAFFE' 2,8KG LAVORAT	
47	11036337	GHIGLIOTINA CAFFE' BRIDGE	COFFEE GUILLOTINE	COFFEE GUILLOTINE	COFFEE GUILLOTINE	GHIGLIOTINA CAFFE' BRIDGE	
48	1431.003	ANELLO PORTACHIAVI	KEYHOLDER RING	ANNEAU PORTE CLEFS SAECO	SCHLÜSSELRING	ANELLO PORTACHIAVI	
49	0875.250	GUARNIZIONE PASSACAVI CARCASSA	TRIMMING RUNCABLE FRAME	GUARNITURE PASSAGE CABLE	Dichtung zu Kabelführung Gehäuse	GUARNIZIONE X SCIVOLO	
50	U109.011	VITE AUT.TCB 3,9X9,5 DIN 7981 C	screw AUT.TCB 3,9X9,5 DIN 7981 C	VIS TCB3,9X9,5DIN7981CNK	Blechschraube 3,9x9,5	VITE AUT.TCB 3,9X9,5 DIN 7981 C	
51	11036325	CANALE SCARICO FONDI DIAMANTE EV	CHANNELS SLIDE DIAMANTE EVO	CANAL MARC DIAMANTE EVO	Trichter Kaffeesatz DIAMANTE EVO	CANALE SCARICO FONDI DIAMANTE EV	
52	U109.013	VITE TCB 3,5X13 UNI 6954 NIK	SCREW TCB 3,5X13 UNI 6954 NIK	VIS AUT.TCB 3,5X13 DIN 7981 C	Linsen-Blechschr. 3,5x13 DIN 798	VITE TCB 3,5X13 UNI 6954 NIK	
53	11036338	GUARNIZIONE X SCIVOLO	SEAL FOR SLIDE	GUARNITURE SEAU	Dichtung zu Trichter. Kaffeesatz	GUARNIZIONE X SCIVOLO	
54	0875.157	ASS.CONTENTITORE CAFFE' 2,8KG BRI	COFFEE CONT. 2,8 KG	TREMI CAFE 2,8 KG	COFFEE CONT. 2,8 KG	ASS. CONTENTITORE CAFFE' 2,8KG BRI	
55	0875.423.050	SIFONE SCARICO FORATO	SIPHON DRAIN PERFORATED	CANAL EAUX USEES COMBI SNACK	Siphon	SIFONE SCARICO FORATO	
56	U109.003	VITE AUT.TCB 3,5X9,5 DIN 7981 C	SCREW TCB 3,5X9,5 DIN 7981 C NIK	VIS TCB3,5X9,5DIN7981CNK	Linsen-Blechs. 3,5x9,5 DIN 7981	VITE AUT.TCB 3,5X9,5 DIN 7981 C	
57	0875.247	POMELLO X SIFONE	KNOB FOR SIPHON	POMMEAU DE SIPHON	Knauf zu Siphon	POMELLO X SIFONE	
58	0875.448	ASS.SIFONE SCARICO FORATO	WHOLE SIPHON DRAIN PERFORATED	GARNITURE PASSAGE CABLE	Dichtung zu Kabelführung Gehäuse	ASS. SIFONE SCARICO FORATO	
59	0875.250	GUARNIZIONE PASSACAVI CARCASSA	TRIMMING RUNCABLE FRAME	PASSE CABLE 10476 1,2	Kabelführung 10476 1,2	GUARNIZIONE X SCIVOLO	
60	NE16.009	PASSACAVO NOSTRUM 10476 1,2	GROMMET NOSTRUM 10476 1,2	VASQUE EVAPORATEUR	EVAPORATOR DRIP TRAY	PASSACAVO NOSTRUM 10476 1,2	
61	0875.195.050	VASCA RACCOGLIGOCCE EVAPORATORE	EVAPORATOR DRIP TRAY	VASQUE EVAPORATEUR	Auffangwanne	VASCA RACCOGLIGOCCE EVAPORATORE	
62	9974.020	TUBO PVC 16X20 L.200 MM	PVC TUBE 16X20 L.200 MM	BAC A EAUX USEES	Sicherungsring Kaffeefalialsack	TUBO PVC 16X20 L.200 MM	
63	0875.122.050	VASCA RACCOGLIGOCCE	DRIP TRAY	RESSORT SAC POUBELLE	Senkspoonschraube 3,5 x 9,5	VASCA RACCOGLIGOCCE	
64	0875.122.050	VASCA RACCOGLIGOCCE	RING FOR GROUND SACK	VIS TSP 3,5X9,5	Leitung zu Produktkauf	VASCA RACCOGLIGOCCE	
65	9111.135	ANELLO X SACCO FONDI	SCREW TSP TORX 10 AB 3,5X9,5 SHE	CONDUIT DE VIDANGE COMBISNACK	Pincode D=23-35/9	ANELLO X SACCO FONDI	
66	129535721	VITE TSP 3,5X9,5 DIN7982 TORX IN	DISCHARGE DUCTS	PINCE D=23-35/9	Feder für Abflußkanal	VITE TSP 3,5X9,5 DIN7982 TORX IN	
67	0875.153.050	CONDOTTOIO DI SCARICO	PIPE WRENCH BAIL D=23-35/9	RESSORT DE TUBE		CONDOTTOIO DI SCARICO	
68	NV99.079	FASCETTA STRINGITUBO D=23-35/9	SPRING FOR TUBE L.550			FASCETTA STRINGITUBO D=23-35/9	
69	0875.415	MOLLA X TUBO L.550				MOLLA X TUBO L.550	



N.POSI	COD	I - DESCRIZIONE	UK - DESCRIPTION	F - DESCRIPTION	D - BEZEICHNUNG	E - DESCRIPCION	NOTE
70	0875.413	TUBO DI SCARICO L.710	TUBE UNLOADED L.710	TUBE D'EVACUATION L.710	Schlauch CS L=710mm	TUBO DI SCARICO L.710	
71	9991.199	TAPPO X SERBATOIO COMBI	CAP FOR TANK COMBI	BOUCHON DE BAC EAUX USEES	Deckel zu Wassertank d=80	TAPPO X SERBATOIO COMBI	
72	0875.299	POLISTIROLO POSTX PANNI PULIZIA	BACK POLYSTYRENE FOR CLEANING PA	POLYSTIRENE	Styroporeinsatz hinten		
73	11008678	PANNELLO COIBENTATO BASAMENTO 8/	BUMPER INSULATED PANEL 8/10	SUPPORT BAGS	ABDECKUNG UNTER RESTBEHÄLTER		
74	0875.304	POLISTIROLO BASE X PANNI COIB.BAS	PANEL	POLYSTIRENE POUR SUPPORT BACS	Styroporeinsatz zu Isolierung		
75	11009695	ASS.PANNELLO COIBENTATO BASAMENT	ASS.BASEMENT INSULATED PANEL 8/1	RONDELLE 3.2X7 UNI 6592 ZNP	Scheibe A3,2 DIN 125 verz.	ROSETTA PIANA 3.2X7 UNI 6592 ZNP	
76	U207.003	ROSETTA PIANA 3.2X7 UNI 6592 ZNP	PLAIN WASHER 3.2X7 UNI 6592 GALV	BOUCHON	Körbchenabdeckung für Schwimmer	TAPPO SUPP.CESTELLO X GALLEGGIAN	
77	0875.306	TAPPO SUPP.CESTELLO X GALLEGGIAN	PLUG BASKET SUPP. FOR BALL FLOAT	FLOTTEUR	Schwimmer	GALLEGGIANTE X LIVELLO SCARICO	
78	9111.130	GALLEGGIANTE X LIVELLO SCARICO	FLOAT FOR DISCHARGE LEVEL	AIMANT D.14X4	Magnet		
79	9991.203	MAGNETE NEDDIMIO D.14X4	MAGNET NEEDIMIO D.14X4	PASTILLE ACIER	Magnetscheibe		
80	9991.204	PASTIGLIA ACCIAIO X MAGNETE	SHIM FOR SAFETY VALVE	CONTREPOID FLOTTEUR	Schwimmerteil	OR 2015 SILICONE PTFE/FDA	
81	9991.205	CONTRAPPESO X GALLEGGIANTE	COUNTERWEIGHT FOR FLOAT	JOINT OR 2015 SILIKON	O-RING 2015 SILIKON		
82	140328059	OR 2015 SILICONE PTFE/FDA	OR 2015 SILICONE PTFE/FDA	SUPPORT FLOTTEUR	Körbchen für Schwimmer	OR 2015 SILICONE PTFE/FDA	
83	0875.307.050	CESTELLO X GALLEGGIANTE	BASKET FOR BALL FLOAT	BAC A EAUX	Restwasserbehälter Diamante	SERBATOIO X ACQUA	
84	11000612	SERBATOIO X ACQUA	WATER TANK	BAC A MARGS	Satzbehälter Combi Snack	CONTENITORE RACCOLTA FONDI	
85	0875.275.050	CONTENITORE RACCOLTA FONDI	COFFEE GROUNDS CONTAINER	ENS NIVEAU BAC EAUX USEES	Körbchen für Restwasserniveau	ASS.CESTELLO X LIVELLO SCARICO	
86	9120.034.050	ASS.CESTELLO X LIVELLO SCARICO	BASKET ASS. FOR LEVEL LOAD				



N.POSI	COD	I - DESCRIZIONE	UK - DESCRIPTION	F - DESCRIPTION	D - BEZEICHNUNG	E - DESCRIPCION	NOTE
1	U110.004	VITE AUT.TCB 3.5X6.5 DIN 7981 F	screw AUT.TCB 3.5X6.5 DIN 7981 F	VIS AUT.TCB 3.5X6.5 DIN 7981 F	Schraube 3.5X6.5 DIN 7981 F	VITE AUT.TCB 3.5X6.5 DIN 7981 F	
2	0875.074	SUPP.GUARNIZ. SX PORTA FRIGO	FRIDGE DOOR LEFT SEAL SUPPORT	SUPP.GARNITURE GAUCHE PORTE FRIG	Support zu Dichtung links	SUPP.GUARNIZ. SX PORTA FRIGO	
3	0875.372	GUARNIZIONE PORTA FRIGO	FILTERHOLDER SEAL	GARNITURE PORTE FRIGO	Dichtung zu Türe	GUARNIZIONE PORTA FRIGO	
4	0875.075	SUPP.GUARNIZ. DX PORTA FRIGO	FRIDGE DOOR RIGHT SEAL SUPPORT	SUPP.GARNITURE DROIT PORTE FRIGO	Support zu Dichtung rechts	SUPP.GUARNIZ. DX PORTA FRIGO	
5	0875.076	SUPP.GUARNIZ.INF. PORTA FRIGO	FRIDGE DOOR LOWER SEAL SUPPORT	TOLE DE FERMETURE INF BLACK	Support zu Dichtung unten		
6	11008708	LAMIERA DI CHIUSURA INFERIORE NE	LOWER FASTENING SHEET BLACK 8/10	TOLE DE FERMETURE INF BLACK	Platte unten zu Gefrierfachtür		
7	0875.236	PANNELLO INT. VERT. SPORT FRIGO	HOR. INNER PANEL FRIDGE DOOR	PANNEAU INT.VET. PORTE FRIGO	Platte seitlich zu Gefrierfachtür		
8	0875.237	PANNELLO INT. VERT. SPORT FRIGO	VERT. INNER PANEL FRIDGE DOOR	PANNEAU INT.VET. PORTE FRIGO			
9	11008704	SUPPORTO FERMA VETRO AVVITATO 8/	SCREWED DOWN GLASS HOLDER SUPPORT	SUPPORT ARRETTOIR VITRE	RAHMENHALTERUNG UNTEN SICHTFENST		
10	11008700	LAMIERA DI CHIUSURA SX NERO 8/10	LEFT FASTENING SHEET BLACK 8/10	TOLE DE FERMETURE GAUCHE BLACK	RAHMENHALTERUNG RECHTS SICHTFENST		
11	11025040	MATTONELLA GETTONIERA G13 BLK	COIN BOX G13 TILE BLK	PLAQUE MONNAIEUR G13 NOIR	RAHMENHALTERUNG LINKS SICHTFENST	MATTONELLA GETTONIERA G13 BLK	
12	0875.056	PANNELLO FERMAVETRO SX	GLASS RETAINING PANEL LEFT	PANNEAU FERMETURE VITRE GAUCHE	Blende links zu Glasbefestigung	PANNELLO FERMAVETRO SX	
13	11036320	MOLLA FILO SUPPLAMPADA	SPRING FOR SUPPORT LAMP	SPRING FOR SUPPORT LAMP	SPRING FOR SUPPORT LAMP	MOLLA FILO SUPPLAMPADA	
14	0875.054	SUPP.GUARNIZ.SUP. PORTA FRIGO	FRIDGE DOOR UPPER SEAL SUPPORT	GARNITURE SUP PORTE FRIGO	Support zu Dichtung oben	SUPP.GUARNIZ.SUP. PORTA FRIGO	
15	12002400	LAMPADA LED NIBA PL-L MOD.KL0501	LED LAMP MOD.KL050105	LED LAMP MOD.KL050105	LED LAMP MOD.KL050105	LAMPADA LED NIBA PL-L MOD.KL0501	
16	U109.026	VITE AUT.TCB 3.5X19 DIN 7981 C I	SS.SCREW AUT.TCB 3.5X19 DIN 7981	VIS AUT.TCB 3.5X19 DIN 7981 C IN	Schraube 3.5X19 DIN 7981 C edels	VITE AUT.TCB 3.5X19 DIN 7981 C I	
17	0875.063	PORTALAMPADA AGS 443/A X2G11	LAMP HOLDER AGS 443/A X2G11	PORTE LAMPE	Socket Neonleuchte	PORTALAMPADA AGS 443/A X2G11	
18	0875.177	PIASTRA FERMAVETRO RIFLETTENTE	REFLECTING GLASS RETAINER STRIP	PLAQUE REFLETTANTE VITRE	Platte reflektierend	PIASTRA FERMAVETRO RIFLETTENTE	
19	U109.036	VITE AUT.TCB 3.9X16 DIN 7981 C N	screw AUT.TCB 3.9X16 DIN 7981 C	VIS	Linsen-Blechschr. 3.9x16 DIN 798	VITE AUT.TCB 3.9X16 DIN 7981 C N	
20	0875.325	CONTRODADO X BOCCOLA	LOCK NUT FOR BUSH	CONTRE ECROU	Konternut zur Hülse	CONTRODADO X BOCCOLA	
21	0875.324	BOCCOLA X SPORTELLO	BUSH FOR DOOR	BAGUE DE PORTE	Konternut zur Hülse	BOCCOLA X SPORTELLO	
22	U109.003	VITE AUT.TCB 3.5X9.5 DIN 7981 C	SCREW TCB 3.5X9.5 DIN 7981 C NIC	VIS TCB3.5X9.5DIN7981CNIK	Linsen-Blechs. 3.5x9.5 DIN 7981	VITE AUT.TCB 3.5X9.5 DIN 7981 C	
23	0875.055	PANNELLO FERMAVETRO DX	GLASS RETAINING PANEL RIGHT	PANNEAU FERMETURE VITRE DROIT	Glashalterung rechts	PANNELLO FERMAVETRO DX	
24	U143.021	VITE SPECIALE 4.8X9.5 AUTOFIL.	screw SPECIAL 4.8X9.5 SELF TAP.	VIS SPECIALE 4.8X9.5 SELF TAP.	Spezialschraube 4.8x9.5 selbstsc	VITE SPECIALE 4.8X9.5 AUTOFIL.	
25	11022600	ASS.PORTA INFERIORE BLK	DOOR	ENS.PORTE INFERIEUR NOIR	GERÄTEÜR KLPT. BLK.	ASS.PORTA INFERIORE BLK	
26	0875.320	LAMIERA X FERMAVETRO INFERIORE	SHEET METAL FOR COIN BOX	PLAQUE METAL FERMETURE INF.	Blech unten zu Glasbefestigung	LAMIERA X FERMAVETRO INFERIORE	
27	0875.319	FERMAVETRO INFERIORE	LOWER CABLE CLAMP	VIS	Linsen-Blechschr. 3.9x16 DIN 798	FERMAVETRO INFERIORE	
28	U109.036	VITE AUT.TCB 3.9X16 DIN 7981 C N	screw AUT.TCB 3.9X16 DIN 7981 C	VIS	Linsen-Blechschr. 3.9x16 DIN 798	VITE AUT.TCB 3.9X16 DIN 7981 C N	
29	U302.006	DADO ESAGONALE M10 UNI 5988 ZNP	nut HEXAGONALE M10 UNI 5988	VIS	Sechskantmutter M10 DIN 985 verz	DADO ESAGONALE M10 UNI 5988 ZNP	
30	U208.008	ROSETTA DENT. 10.5X18 UNI 3703 Z	TOOTHED WASHER 10.5X18 UNI 3703	RONDELLE	Fächerschelbe A10.5 DIN 6798	ROSETTA DENT. 10.5X18 UNI 3703 Z	
31	11003519	PIASTRINA X SERRATURA COMBI	PLATE FOR LOCK COMBI	LEVIER DE SERRURE	Plättchen zu Schloss	PIASTRINA X SERRATURA COMBI	
32	11003515	PERNO X SERRATURA M6 COMBI	PIN FOR LOCK M6 COMBI	PIVOT DE SERRURE M6	Bolzen zu Schloss	PERNO X SERRATURA M6 COMBI	
33	20007692	CHIAVE IN USO RIELDA RS1	KEY RIELDA RS1	CLEF RIELDA RS1	Schlüssel Rielda RS1	CHIAVE IN USO RIELDA RS1	
34	20007671	PROGRAMMAZIONE RS1	PROGRAMMING KEY RS1	CLEF DE PROGRAMMATION RS1	Programierschlüssel RS1	PROGRAMMAZIONE RS1	
35	0875.218	BOCCOLA SERRATURA	LOCK BUSH	BAGUE SERRURE	Hülse zu Türschloß	BOCCOLA SERRATURA	
36	12002251	SERRATURA RIELDA MOD. 458 RS1	LOCK RIELDA MOD. 458 RS1	SERRURE RIELDA MOD. 458 RS1	Schloß + Schlüssel Rielda	SERRATURA RIELDA MOD. 458 RS1	
37	0875.190.860	TAPPO PROFILO SX GRY E3303	LEFT STRIP CAP GRY E3303	BOUCHON POUR PROFILÉ GAUCHE	Verschlußprofil für Snacktüre li	TAPPO PROFILO SX GRY E3303	
38	11022690	PANNELLO SUPERIORE VETRO BLK	UPPER PANEL GLASS BLK	PANNEAU SUP VITRE NOIR	Blende oben zu Glas BLK	PANNELLO SUPERIORE VETRO BLK	
39	0875.217.860	PROFILO INFERIORE SERRATURA SX G	LOCK SIDE LOWER STRIP	BARRE INFERIEURE DE FERMETURE	Profil unten links CS	PROFILO INFERIORE SERRATURA SX	
40	0875.433	VETRO PORTA COMBI STRATIFICATO	DOOR GLASS COMBI	VITRE DE PORTE COMBI	Schelbe zu Gerätetür	VETRO PORTA COMBI STRATIFICATO	
41	0875.085	GUARNIZIONE X VETRO SEZ SNACK	SEAL FOR GLASS SNACK	JOINT DE VITRE COMBI	Dichtung zu Scheibe Front. unite	GUARNIZIONE X VETRO SEZ SNACK	
42	11033290	PANNELLO INFERIORE VETRO BLK	LOWER PANEL GLASS BLK	PANNEAU INF.VETRE BLK	Blende zu Produktausgabe	PANNELLO INFERIORE VETRO BLK	
43	0875.189.860	TAPPO PROFILO DX GRY E3303	RIGHT STRIP CAP GRY E3303	PROTECTION DROITE GRY E3303	Verschluß Profil rechts	TAPPO PROFILO DX GRY E3303	
44	U208.004	ROSETTA DENT. 3.8X7.5 UNI 3703 B	TOOTHED WASHER 3.8X7.5 UNI 3703	RONDELLE DENTEE 3.8X7.5 UNI 3703	Fächerschelbe A3.8 DIN 6798 brdn	ROSETTA DENT. 3.8X7.5 UNI 3703 B	
45	11006844	TAPPO PROFILO DX GRY	RIGHT STRIP CAP GRY	BOUCHON DE BAGUETTE DROITE GREY	RIGHT STRIP CAP GREY	TAPPO PROFILO DX GRY	
46	11022691	ASS.MATTONELLA INTRODUZ MONETE M	COIN INTRODUCTION TILE ASS.BLK	PLAQUE INTRODUCTION MONNAIE NOIR	COIN INTRODUCTION TILE BLK	ASS.MATTONELLA INTRODUZ MONETE M	
47	U701.003	ANELLO ELASTICO 7 UNI 7434	SNAP RING 7 UNI 7434	RONDELLE 7 UNI 7434	Sicherungsring ø7 elastisch	ANELLO ELASTICO 7 UNI 7434	
48	11022694	MOSTRINA INTRODUZIONE MONETE BLK	COIN INTRODUCTION FRONT PLATE BL	INTRODUCTION MONNAIE BLK	Rahmen BLK Münzenwurf Diamante	MOSTRINA INTRODUZIONE MONETE BLK	
49	11006847	MOSTRINA INTRODUZIONE MONETE GRY	COIN INTRODUCTION FRONT PLATE GR	INTRODUCTION MONNAIE GRISE	MOSTRINA INTRODUZIONE MONETE GRY	MOSTRINA INTRODUZIONE MONETE GRY	
50	9111.355	MOLLA X PULSANTE RENDIRESTO	SPRING FOR CHANGE BUTTON	RESSORT POUR BOUTON MONNAIE	Feder zu Geldrückgabetaste	MOLLA X PULSANTE RENDIRESTO	
51	11006846	PULSANTE RECUPERO MONETE GRY	PULSANT RECUPERE MONETE GRY	BOUTON RECUP MONNAIE GRIS	Taste Grau Münzurückgabe	PULSANTE RECUPERO MONETE GRY	
52	0875.165.860	PROFILO CENTRALE GRI	CENTRAL STRIP L=1004	PROFILE CENTRAL	Profil mitte l=1004	PROFILO CENTRALE	
53	11032716	ASS.MATTONELLA RECUPERO MONETE B	COIN RECOVERY TILE BLK	PLAQUE RECUP MONNAIE NOIR	COIN RECOVERY TILE BLK	ASS.MATTONELLA RECUPERO MONETE B	
54	11022845	PROFILO INF DX GRIGIO	RIGHT LOWER STRIP GREY	PROFILE INF DX GRIGIO	RIGHT LOWER STRIP GREY	PROFILO INF DX GRIGIO	
55	11022693	MOSTRINA CONDOTTO RECUPERO MONET	COIN RECOVERY DUCT FRONT PLATE B	CARTER RECUPERATION MONNAIE NOIR	Rahmen Geldrückgabe BLK Diamante	MOSTRINA CONDOTTO RECUPERO MONET	
56	11025041	MATTONELLA INFERIORE NEUTRA BLK	LOWER NEUTRAL TILE BLK	PLAQUE INFERIEURE NEUTRE NOIRE	Abdeckung unten blk für Münzprüf	MATTONELLA INFERIORE NEUTRA BLK	



N.POSI	COD	I - DESCRIZIONE	UK - DESCRIPTION	F - DESCRIPTION	D - BEZEICHNUNG	E - DESCRIPCION	NOTE
1	U110.005	VITE AUT.TCB 3.9x9.5 DIN 7981 F	screw AUT.TCB 3.9x9.5 DIN 7981 F	VIS AUT.TCB 3.9x9.5 DIN 7981 F	Linsenblechschraube 3.9x9.5 DIN 7981 F	VITE AUT.TCB 3.9x9.5 DIN 7981 F	
2	1602.147	BOCCOLA X BIELLA SPORTELLA	BUSH FOR DOOR CONNECTING ROD	BLOCCAGE ET BIELLE DE PORTE	Hülse zu Pleuel Tür Produktausg	BOCCOLA X BIELLA SPORTELLA	
3	0875.450	SQUADRETTA FERMO GETTONIERA	BRACKET FOR COIN BOX	CORNIERE ARR ET BIELLE DE PORTE			
4	12002034	VOLANTINO ZIGRINATO D.18 BOCC.OT	KNOB WITH BUSH M5	KNOB WITH BUSH M5	KNOB WITH BUSH M5	VOLANTINO ZIGRINATO D.18 BOCC.OT	
5	0875.365	SUPP.MONETIERA RENDIRESTO (MOBIL	SUP.COIN BOX	SUPPORT MONNAIEUR MOBILE	Support zu Münzwechsler	SUPP.MONETIERA RENDIRESTO (MOBIL	
6	U302.001	DADO ESAGONALE M5 UNI 5588 ZNP	nut HEXAGONAL M5 UNI 5588	ECROU M5 UNI 5588 ZNP	Mutter M5	DADO ESAGONALE M5 UNI 5588 ZNP	
7	12002033	VOLANTINO ZIGRINATO D.18 M5x25	knob D.18 M5x25	BOUTON D.18 M5x25	KNOB D.18 M5x25	VOLANTINO ZIGRINATO D.18 M5x25	
8	0875.357	ASS.PIASTRA FISSAGGIO GETTONIERA	ASS.FIXING PLATE COIN BOX	ENS PLAQUE DE FIXATION MONNAIEUR	Montageplatte Münzprüfer	ASS.PIASTRA FISSAGGIO GETTONIERA	
9	9111.614	PERNO ANCORAGGIO GETT.ESTRAIBILE	COIN BOX ANCHORING PIN	AXE D'ENCRAGE MONNAIEUR	Verankerungsbolzen zu Münzprüfer	PERNO ANCORAGGIO GETT.ESTRAIBILE	
10	U207.005	ROSETTA PIANA 3.2x7 UNI 6592 ZNP	PLAIN WASHER 3.2x7 UNI 6592 GALV	RONDELLE 3.2x7 UNI 6592 ZNP	Scheibe A3.2 DIN 125 verz.	ROSETTA PIANA 3.2x7 UNI 6592 ZNP	
11	123160302	DADO M3 ALTO UNI 5587 ZINCATO	NUT M3 HIGH UNI 5587 GALVANIZED	ECROU M3 HIGH UNI 5587 GALVANIZE	Mutter M3 UNI 5587	DADO M3 ALTO UNI 5587 ZINCATO	
12	0875.358	SUPPORTEO GETTONIERA RENDIRESTO	COIN BOX SUPPORT	SUPPORT MONNAIEUR	Montageplatte Münzprüfer	SUPPORTEO GETTONIERA RENDIRESTO	
13	0875.A39	ASSIEME SUPPORTO GETTONIERA G26	SUPPORT ASSEMBLY COIN BOX G26	SUPPORT COMPLET MONNAIEUR	Support.kplt. zu Münzprüfer G26	ASSIEME SUPPORTO GETTONIERA G26	
14	U324.003	DADO M5 FLANGIATO BASE DENTELLAT	NUT M5 FLANGED INDENTED BASE	ECROU M5 FLANGED INDENTED BASE	Mutter M5 mit Flansch	DADO M5 FLANGIATO BASE DENTELLAT	
15	U043.007	VITE TCB M3.0x8 UNI 7687 ZNP	screw TCB M3.0x8 UNI 7687 GALV.	VIS TCB M3.0x8 UNI 7687 ZNP	Linsenraube M3x8 DIN 7985 ver	VITE TCB M3.0x8 UNI 7687 ZNP	
16	12002039	VITE TCB M4X12 ZN-B	screw TCB M4X12 ZN-B	VIS TCB M4X12 ZN-B	Schraube 3.5x48x28 TORX	VITE TCB M4X12 ZN-B	
17	11011663	COPIERTURA SCIVOLO MONETE	SLIDE COVER COIN	GLISSIERE MONNAIE	Abdeckung zu Münzutsche	COPIERTURA SCIVOLO MONETE	
18	U302.002	DADO ESAGONALE M3 UNI 5588 ZNP	nut HEXAGONAL M3 UNI 5588	ECROU M3 UNI 5588 ZNP	Mutter M3	DADO ESAGONALE M3 UNI 5588 ZNP	
19	11011616	SCIVOLO MONETE	COIN CHUTE	CHUTE MONNAIE	Münzutsche	SCIVOLO MONETE	
20	11011617	CONVOGLIATORE MONETE REGOLABILE	COIN CONVEYOR ADJUSTABLE	CONVOYEUR AJUSTABLE	COIN CONVEYOR ADJUSTABLE	CONVOGLIATORE MONETE REGOLABILE	
21	U302.003	DADO ESAGONALE M4 UNI 5589 ZN	GALV NUT HEXAGONAL M4 UNI 5589 Z	ECROU HEXAGONAL M4 UNI 5589 ZN	Mutter M4 UNI 5589 ZN	DADO ESAGONALE M4 UNI 5589 ZN	
22	11011613	ASS.SCIVOLO MONETE	COIN CHUTE ASS.	ENSEMBLE MECANISME CHUTE MONNAIE	Münzutsche.kplt.	ASS.SCIVOLO MONETE	
23	11011619	SUPPORTEO LEVA RECUPERO MONETE	SUPPORT LEVER COIN RECOVERY	SUPPORT DE LEVIER	befestigungsblech zu Geldrückgab	SUPPORTEO LEVA RECUPERO MONETE	
24	123453102	DADO AUTOBLOC.M4 DIN982 TYP ALTO	GALV SELF LOCK NUT HIGH M4 DIN 9	ECROU AUTOBLOQUANT N4	Mutter M4 selbstsichernd	DADO AUTOBLOC.M4 DIN982 TYP ALTO	
25	U201.005	ROSETTA PIANA 4.3x12 DIN 7349 ZN	PLAIN WASHER 4.3x12 DIN 7349 GAL	RONDELLE 4.3x12 DIN 7349 ZNP	Scheibe 4.3x12 DIN 7349 verz.	ROSETTA PIANA 4.3x12 DIN 7349 ZN	
26	9111.397	MOLLA X BACINELLA.LEVA RECUP.MON	SPRING FOR TRAY /LEVER COIN RECO	RESSORT LEVIER	Feder zu Hebel Geldrückgabe	MOLLA X BACINELLA.LEVA RECUP.MON	
27	11011660	LEVA RECUPERO MONETE	LEVER COIN RECOVERY	LEVIER DE RECUPERATION	Rückgabehobel	LEVA RECUPERO MONETE	
28	129825002	VITE TCB M4X20 UNI 7687 ZNP	TCB SCREW M4X20 UNI 7687 ZNP	VIS TCB M4X20 UNI 7687 ZNP	Linsenraube M4x20 DIN 7985 ve	VITE TCB M4X20 UNI 7687 ZNP	
29	U212.006	ROSETTA 3.2x11X0.5 ZNP	WASHER 3.2x11X0.5 ZNP	RONDELLE 3.2x11X0.5 ZNP	Scheibe 3.2x11 D= 0.5mm	ROSETTA 3.2x11X0.5 ZNP	
30	U116.005	VITE AUT.PT.TCB 3.0x8 WN 1441 ZN	screw AUT.PT.TCB 3.0x8 WN 1441	VIS DE FIXATION	Schraube 30 x 8	VITE AUT.PT.TCB 3.0x8 WN 1441 ZN	
31	11011662	PARATIA REGOLABILE	ADJUSTABLE PLATE	PLAQUE AJUSTABLE	Geldrückgabeklappe	PARATIA REGOLABILE	
32	11022602	SPORTELLO PUSH BLK	PUSH DOOR BLK	PORTE PUSH NOIR	"Produktausgabeklappe "Push""	SPORTELLO PUSH BLK	
33	11011661	CONDOTTO RECUPERO MONETE	DUCT COIN RECOVERY	CONDUIT RECUPERATION MONNAIE	Geldausgabeschacht	CONDOTTO RECUPERO MONETE	
34	U324.006	DADO M4 FLANGIATO BASE DENTELLAT	NUT M4 FLANGED INDENTED BASE	ECROU	Sechskantsmutter M4 DIN 934	DADO M4 FLANGIATO BASE DENTELLAT	
35	U1006845	SPORTELLO CONDOTTO MONETE GRY	DOOR CONDUCTING COINS GREY	VOLET RETOUR MONNAIE	Münzklappe grau	SPORTELLO CONDOTTO MONETE GRY	
36	9111.357.050	FONDO CONDOTTO MONETE NERO	COIN CHUTE BOTTOM BLACK	FOND DE CONDUIT MONNAIE NOIR	Unterteil Trichter Rückgeld	FONDO CONDOTTO MONETE NERO	
37	11011615	ASS.LEVA RECUPERO MONETE	LEVER ASS. COIN RECOVERY	ENSEMBLE MECANISME RECUPERATION	Rückgabehobel.kpl.	ASS.LEVA RECUPERO MONETE	
38	0701.R29	CHIAVE VIRO KA.35 X SERRAT.SPORT	KEY KA 35	CLE KA 35	Schlüssel Tür P57	CHIAVE VIRO KA.35 X SERRAT.SPORT	
39	1103.1079	SCARPETTA X SERRATURA MERONI	LEVER FOR LOCK	LEVIER DE SERRURE	SCHLEIBREGEL	SCARPETTA X SERRATURA MERONI	
40	NF11.026	RIVETTO AD ESPANSIONE D.3.9X8 AL	EXPANSION RIVET D.3.9X8 ALU.	RIVET D'EXPANSION D.3.9X8 ALU.	Niete d=3.9 mm x 8	RIVETTO AD ESPANSIONE D.3.9X8 AL	
41	11011665	TRAMOGGIA CASSA MONETE	COIN BOX HOPPER	ENTONNOIR CAISSE MONNAIE	Auffangtrichter Münzen	TRAMOGGIA CASSA MONETE	
42	0875.270	COPERCHIO C/SERRAT. X CASSA MONE	COPE W/LOCK FOR COIN BOX	COUVERCLE CAISSE	Deckel zu Münzkassette	COPERCHIO C/SERRAT. X CASSA MONE	
43	0875.271	MANIGLIA X CASSA MONETE	HANDLE FOR COIN CASE	COUVERCLE CAISSE A MONNAIE	Tragebügel zu Münzkassette	MANIGLIA X CASSA MONETE	
44	0875.280	ASSIEME CASSA MONETE	WHOLE COIN BOX	CAISSE COMPLETE	Münzkassette	ASSIEME CASSA MONETE	
45	12001903	SERRATURA MERONI 354	LOCK MERONI 354	SERRURE MERONI 354	Türschloß Meroni 354	SERRATURA MERONI 354	
46	0875.311	ASS.COPERCHIO CASSA MONETE	COIN BOX CASE LID ASS.	ENS COUVERCLE CAISSE MONNAIE	Deckel.kplt. zu Münzkassette	ASS.COPERCHIO CASSA MONETE	
47	0875.256	ASS. SCATOLA MONETE	WHOLE COIN BOX	ENS.BOITE MONNAIES	Münzkassette.kplt.	ASS. SCATOLA MONETE	
48	1602.105	BIELLA SPORTELLA	DOOR CONNECTING ROD	BIELLE DE PORTE	Türschamier	BIELLA SPORTELLA	
49	U127.001	VITE TAPT.TCB M3.0x6 DIN 7500C Z	screw TAPT.TCB M3.0x6 DIN 7500C	VIS TAPT.TCB M3.0x6 DIN 7500C	Linsenraube M3x6 DIN 7500	VITE TAPT.TCB M3.0x6 DIN 7500C Z	
50	1602.187	ISOLANTE SU PANNELLO PUSH	INSULATION ON PANEL PUSH	ISOLANT	Schaumstoff	ISOLANTE SU PANNELLO PUSH	
51	0875.071.050	PANNELLO ANTIURTO	ANTIHEFT PANEL	PANNEAU ANTIVOL	Diebstahlsicherung	PANNELLO ANTIURTO	
52	0875.231	PIASTRA DX X CASS.RECUPERO	RIGHT PLATE FOR RECOVERY DRAWER	PLAQUE DROITE	Plättchen rechts Ausgabefach	PIASTRA DX X CASS.RECUPERO	
53	NF11.022	RIVETTO ESPANS. D=2.8X8 AL/FE NE	EXPANSION RIVET D=2.8X8 ALU. BLA	RIVET ESPANS. D=2.8X8 AL/FE NOIR	Hornhüte d=2,8x8 schwarz, alu	RIVETTO ESPANS. D=2.8X8 AL/FE NE	
54	U109.011	VITE AUT.TCB 3.9x9.5 DIN 7981 C	screw AUT.TCB 3.9x9.5 DIN 7981 C	VIS AUT.TCB 3.9x9.5 DIN 7981 C	Blechschraube 3.9x9.5	VITE AUT.TCB 3.9x9.5 DIN 7981 C	
55	0875.346	MOLLA AZIONAMEN.MICRO PORTA INFE	SPRING FOR LOWER MICRO DOOR	RESSORT	Winkel zu Mikroschalter Türe	MOLLA AZIONAMEN.MICRO PORTA INFE	
56	0875.230	PIASTRA SX X CASS.RECUPERO	LEFT PLATE FOR RECOVERY DRAWER	PLAQUE GAUCHE	Plättchen links Ausgabefach	PIASTRA SX X CASS.RECUPERO	
57	0875.193.050	STAFFA FISSAGGIO VASCA PRODOTTI	PRODUCTS TRAY FIXING BRACKET	CORNIERE	Befestigungsbügel Ausgabefach	STAFFA FISSAGGIO VASCA PRODOTTI	
58	0875.069.050	VASCA RACCOLTA PRODOTTI	PRODUCTS RECOVERY CONT.	BAC COLLECTEUR PRODUITS	Ausgabefach	VASCA RACCOLTA PRODOTTI	
59	0875.277	PIASTRINO X SQUADRETTA MICRO	PLATE FOR MICRO SQUARE	PLAQUETTE POUR CONTACT DE PORTE	Plättchen zu Winkelstück	PIASTRINO X CASSA PRODOTTI	
60	0875.277	TAPPETINO X CASSA PRODOTTI	MAT FOR PRODUCTS CASE	TAPIS POUR PRODUITS	Schaumstoffmatte für Produktausg	TAPPETINO X CASSA PRODOTTI	
61	U701.011	ANELLO ELASTICO 5 UNI 7434 ACC.	STEEL SNAP RING 5 UNI 7434	ANNEAU	Sicherungsring ø5 elastisch	ANELLO ELASTICO 5 UNI 7434 ACC.	
62	0875.073	TONDO X SPORTELLO PRODOTTI	ROUND BAR FOR PRODUCTS DOOR	BARRE RONDE DE PORTE PRODUIT	Stift zu Produktausgabeklappe	TONDO X SPORTELLO PRODOTTI	
63	0875.312	MOLLA X VANO RECUPERO PRODOTTI	SPRING X PRODUCTS COLLECTION SPA	RESSORT DE RECUP. PRODUIT	Feder zu Produktausgabeklappe	MOLLA X VANO RECUPERO PRODOTTI	
64	NV01.008	CAPPUCIO X MOLLA VANO EROGAZION	HOOD FOR DISPEN COMPARTMENT SPRI	CAPUCHON DE RESSORT	Schutzkappe Federbügel	CAPPUCIO X MOLLA VANO EROGAZION	
65	0875.070.050	CONTROLAMIERA SPORTELLO PUSH	PUSH DOOR PROTECTION	SUPPORT TRAPPE	Innenblech Produktausgabeklappe	CONTROLAMIERA SPORTELLO PUSH	
66	0875.172	GUARNIZ. SPORT.PRODOTTO LATO CORT	PRODUCTS DOOR SEAL SHORT SIDE	GUARNIZ.PORTE	Dichtung seitlich Produktausg.	GUARNIZ. SPORT.PRODOTTO LATO CORT	
67	0875.173	GUARNIZ.SPORT.PRODOTTO LATO LUNG	PRODUCTS DOOR SEAL LONG SIDE	GUARNIZ.SPORT	Dichtung unten Produktausg.	GUARNIZ.SPORT.PRODOTTO LATO LUNG	
68	11022601	ASS.CASSETTO RECUPERO PRODOTTI B	PRODUCTS RECOVERY DRAWER ASS. BL	ENS CAISSE RECUP.PRODUITS NOIR	Ausgabefach Snacks.kplt. Diamant	ASS.CASSETTO RECUPERO PRODOTTI B	

40-41-42-43-44-45-46

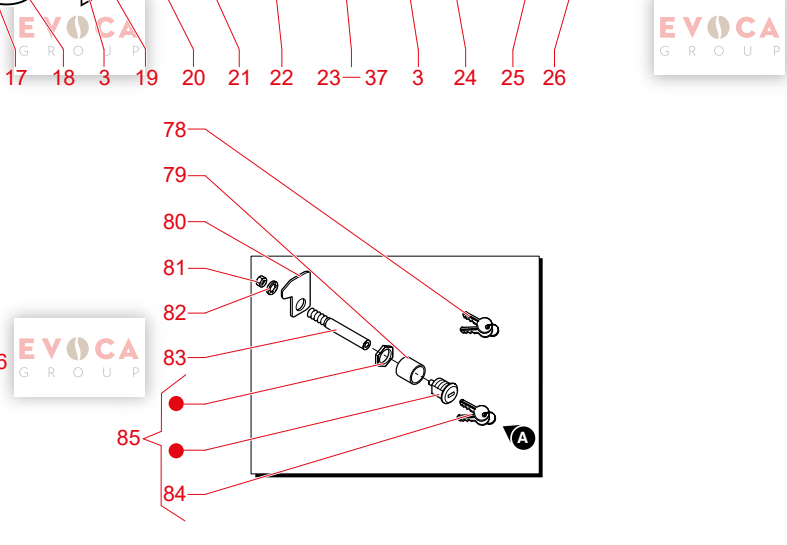
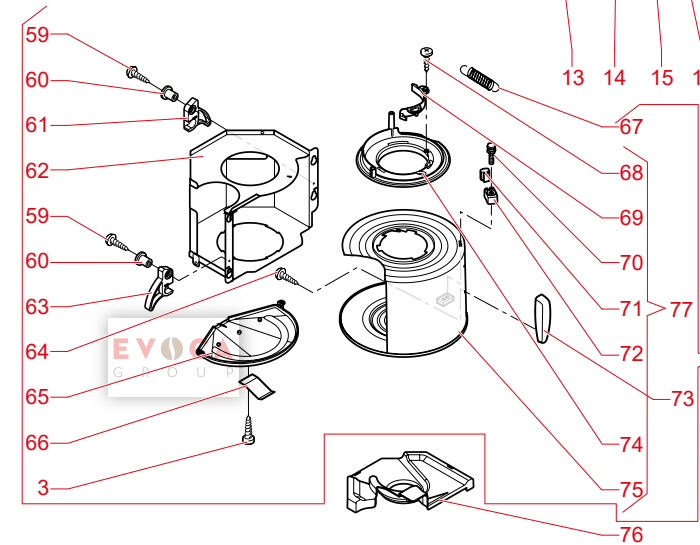
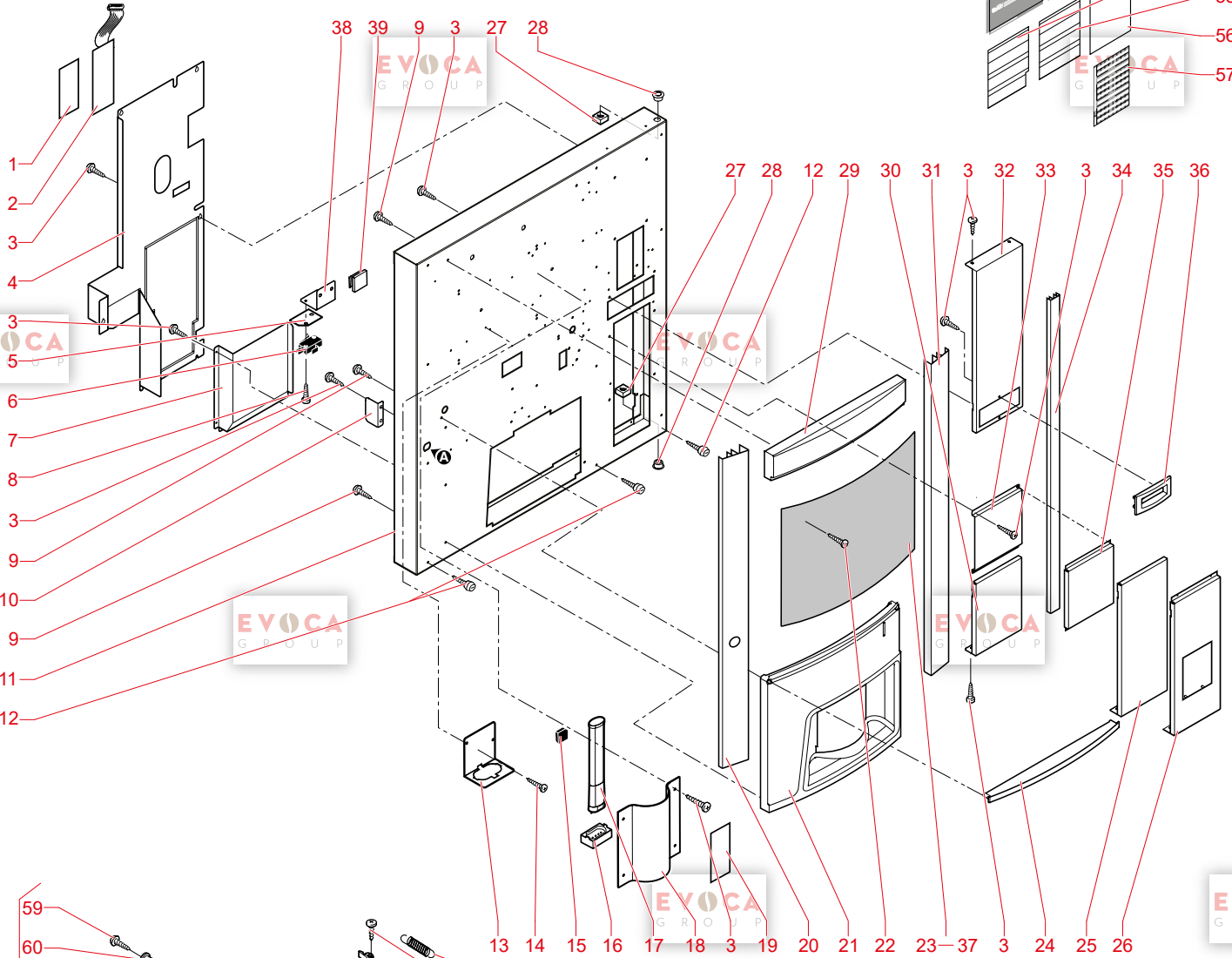
47-48-49-50-51-52-53

54

55

56

57-58



N.POSI	COD	I - DESCRIZIONE	UK - DESCRIPTION	F - DESCRIPTION	D - BEZEICHNUNG	E - DESCRIPCION	NOTE
1	0875.990	TARGHETTA X TASTIERA 5 FUNZIONI	TOUCH PANEL PLATE	PLAQUETTE CLAVIER	Aufkleber Tastatur 5 Funktionen	TARGHETTA X TASTIERA 5 FUNZIONI	
2	0875.741	TASTIERA X FUNZIONI RAPIDE	TOUCH PANEL	CLAVIER COMBI FONCTION RAPIDE	Service tastatur Vendiggrate	TASTIERA X FUNZIONI RAPIDE	
3	U110.004	VITE AUT.TCB 3.5X6.5 DIN 7981 F	screw AUT.TCB 3.5x6.5 DIN 7981 F	VIS AUT.TCB 3.5x6.5 DIN 7981 F	Schraube 3.5x6.5 DIN 7981 F	VITE AUT.TCB 3.5X6.5 DIN 7981 F	
4	0875.268	CARTER PROTEZIONE SCHEDA CPU	CARD CPU CASING PROTECTION	CARTER PROTECTION COMBI SNACK	Schutzplatte zu Steuerung CPU	CARTER PROTEZIONE SCHEDA CPU	
5	9991.014	CARTONCINO X MICROINTERRUTTORE	CARD FOR MICRO SWITCHES	PLAQ.SUPP.MICRO INTERRUPT	Isolationschleibe	CARTONCINO X MICROINTERRUTTORE	
6	NE05.018	MICROINTERRUTTORE	MICRO SWITCH	MICRO INTERRUTTOREUR	Microschalter Ausgaberaum	MICROINTERRUTTORE	
7	0875.416	CARTER DX X PORTA SUPERIORE	CASING DX FOR DOOR UPPER	CARTER DROITE PORTE SUPERIEUR	Winkelblech re. zu Ausgabeschach	CARTER DX X PORTA SUPERIORE	
8	U110.007	VITE AUT.TCB 2.9X16 DIN 7981 F Z	screw AUT.TCB 2.9x16 DIN 7981 F	VIS AUT.TCB 2.9x16 DIN 7981 F	Linsen-Blech re. zu 7981 F Z	VITE AUT.TCB 2.9X16 DIN 7981 F Z	
9	U109.036	VITE AUT.TCB 3.9X16 DIN 7981 C N	screw AUT.TCB 3.9x16 DIN 7981 C	VIS AUT.TCB 3.9x16 DIN 7981 C	Linsen-Blechsch. 3.9x16 DIN 798	VITE AUT.TCB 3.9X16 DIN 7981 C N	
10	0875.220	ATTUATORE MICRO PORTA SUPERIORE	UPPER DOOR MICRO ACTUATOR	PLAQUE POUR CONTACT DE PORTE	Starter Microschalter zu Tür obe	ATTUATORE MICRO PORTA SUPERIORE	
11	U1036129	SPORTELLO SUPERIORE DIAMANTE EVO	UPPER DOOR BLK	PORTE SUPERIEURE	OBERE FRONTTUR	SPORTELLO SUPERIORE DIAMANTE EVO	
12	U143.021	VITE SPECIALE 4.8X9.5 SELF TAP.	screw SPECIAL 4.8x9.5 SELF TAP.	VIS SPECIALE 4.8x9.5 SELF TAP.	Spezialschraube 4.8x9.5 selbstsc	VITE SPECIALE 4.8X9.5 AUTOFIL.	
13	U1036324	PIASTRA SUPPORTO NEON BRIDGE	SUPPORT PLATE NEON BRIDGE	SUPPORT PLATE NEON BRIDGE	SUPPORT PLATE NEON BRIDGE	PIASTRA SUPPORTO NEON BRIDGE	
14	U110.004	VITE AUT.TCB 3.5X6.5 DIN 7981 F	screw AUT.TCB 3.5x6.5 DIN 7981 F	VIS AUT.TCB 3.5x6.5 DIN 7981 F	Schraube 3.5x6.5 DIN 7981 F	VITE AUT.TCB 3.5X6.5 DIN 7981 F	
15	NV01.001	PIEDINO ADESSIVO	ADHESIVE FOOT	PROTECTION ADHESIVE	Gerätetfuß sz. selbstklebend	PIEDINO ADESSIVO	
16	NE13.063	PORTALAMPADA AGS 443/A X2G11	LAMP HOLDER AGS 443/A X2G11	PORTE LAMPE	Socket Neonleuchte	PORTALAMPADA AGS 443/A X2G11	
17	U1002400	LAMPADA LED NIBA PL-L MOD.KL0501	LED LAMP MOD.KL050105	LED LAMP MOD.KL050105	LED LAMP MOD.KL050105	LAMPADA LED NIBA PL-L MOD.KL0501	
18	U1030086	RINFORZO IMMAGINE PUBBLICITA' AT	REINFORCEMENT IMAGE ADVERTISING	RENFORT LEXAN ATLANTE	RINFORZO IMMAGINE PUBBLICITA' AT	RINFORZO IMMAGINE PUBBLICITA' AT	
19	U1030784	ADESIVO SUP.340X410MM X LED DIAM	UPPER ADHESIVE 340X410MM LED DIA	UPPER ADHESIVE 340X410MM X LED DIAM	Adesivo SUP.340X410MM X LED DIAM	ADESIVO SUP.340X410MM X LED DIAM	
20	0875.216.860	PROFILO SUPERIORE SERRATURA	LOCK SIDE UPPER STRIP	PROFILE SUPERIEUR SERRURE	Profil oben links CS silber	PROFILO SUPERIORE SERRATURA	
21	U1022593	PANNELLO EROGAZIONE BLK	DISPENSER PANEL BLK	ANNEAU RECUP GOBELETS NOIR	Ausgabe BLK Diamante	PANNELLO EROGAZIONE BLK	
22	U116.005	VITE AUT.PT TCB 3.0X8 WN 1441 ZN	screw AUT.PT TCB 3.0x8 WN 1441	VIS DE FIXATION	Schraube 30 x 8	VITE AUT.PT TCB 3.0X8 WN 1441 ZN	
23	U1033240	DIAPPOSITIVA DIAMANTE EVO	DIAMANTE DIA EVO	DIAPO SERIGRAPHIE DAMANTE NOIR	Diabli	DIAPPOSITIVA DIAMANTE EVO	
24	U1022594	PROFILO CHIUSURA PANNELLI BLK	PANEL CLOSURE STRIP BLK	BANDEAU FERMETURE PANNEAU NOIR	Profil zu Blende Ausgabesch.	PROFILO CHIUSURA PANNELLI BLK	
25	U1025042	MATTONELLA SUPERIORE ELKEY BLK	UPPER TILE ELKEY BLK	PLAQUE SUPERIEURE ELKEY NOIRE	UPPER TILE ELKEY BLK	MATTONELLA SUPERIORE ELKEY BLK	
26	U1025043	MATTONELLA LETTORE COINCO MAG52R	READER TILE COINCO AND M125 BLK	PLAQUE LECTEUR COINCO MAG52R NOI	READER TILE COINCO AND M125 BLK	MATTONELLA LETTORE COINCO MAG52R	
27	0875.325	CONTRODADO X BOCCOLA	LOCK NUT FOR BUSH	CONTRE ECROU	Konternut zur Hülse	CONTRODADO X BOCCOLA	
28	0875.324	BOCCOLA X SPORTELLO	BUSH FOR DOOR	BAGUE DE PORTE		BOCCOLA X SPORTELLO	
29	U1033289	PANNELLO SUPERIORE VETRINA BLK S	UPPER PANEL GLASS BLK	UPPER PANEL GLASS BLK	UPPER PANEL GLASS BLK	PANNELLO SUPERIORE VETRINA BLK	
30	U1022598	MATTONELLA NEUTRA SUPERIORE BLK	NEUTRAL BLK UPPER PLATE	PLAQUE NEUTRE SUP NOIR	Abedung BLK standard Diamante	MATTONELLA NEUTRA SUPERIORE BLK	
31	0875.136.860	PROFILO CORNICI SPORTELLO GRI	DOOR FRAME STRIP	CORNIERE DE PORTE	Profil rechts / breit silber	PROFILO CORNICI SPORTELLO	
32	U1022597	MATTONELLA X DISPLAY BLK	TILE FOR DISPLAY BLK	PLAQUE POUR AFFICHEUR BLK	MATTONELLA X DISPLAY BLK	MATTONELLA X DISPLAY BLK	
33	0875.181	LAMIERA POSTERIORE X MATT.TRASP.	REAR SHEET METAL FOR TRANSP.TILE	PLAQUE TRANSPARENTE ETIQUETTE	Innenblech zu Blende transparent	LAMIERA POSTERIORE X MATT.TRASP.	
34	U1022844	PROFILO SUP. DX GRIGIO	RIGHT UPPER STRIP GREY	PROFILE SUP. DX GRIS	Profil rechts / schmal silber	PROFILO SUP. DX GRIGIO	
35	0875.167	MATTONELLA TRASPARENTE	TRANSPARENT TILE	PLAQUE TRANSPARENTE	Blende transparent zu Anweisunge	MATTONELLA TRASPARENTE	
36	U1022595	SUPPORTO DISPLAY BLK	DISPLAY SUPPORT BLK	SUPPORT AFFICHEUR NOIR	Rahmen Display BLK Diamante	SUPPORTO DISPLAY BLK	
37	U1020207	CUSTOM LEXAN UP DIAMANTE EVO (1)	CUSTOM LEXAN UP DIAMANTE EVO (1)	CUSTOM LEXAN UP DIAMANTE EVO (1)	CUSTOM LEXAN UP DIAMANTE EVO (1)	CUSTOM LEXAN SUP DIAMANTE EVO (1)	
38	0875.222	SUPPX MICRO VANO EROGAZIONE	DISP.COMPART.MICRO SUPPORT	SUPPORT MICRO	Support zu Mikrosch. Ausgabesch.	SUPPX MICRO VANO EROGAZIONE	
39	NE17.002	FERMACAVO ADES.X CAVI TONDI D=10	ADH.CABLE RETAI.ROUND CABLE D=10	PLAQUETTE DE TENUE	Kabelhalterung ITW 99-0255-1100	FERMACAVO ADES.X CAVI TONDI D=10	
40	U15001896	FOGLIO ETICH.PRODOTTI DIAMANTE B	PRODUCTS LABELS SHEET DIAMANTE	NON UTILISEE POUR LA FRANCE ET B	FOGLIO ETICH.PRODOTTI DIAMANTE B	FOGLIO ETICH.PRODOTTI DIAMANTE B	
41	U15001897	FOGLIO ETICH.PRODOTTI DIAMANTE B	PRODUCTS LABELS SHEET DIAMANTE	ETIQUETTE PRODUITS DIAMANTE BLK	FOGLIO ETICH.PRODOTTI DIAMANTE B	FOGLIO ETICH.PRODOTTI DIAMANTE B	
42	U15001898	FOGLIO ETICH.PRODOTTI DIAMANTE B	PRODUCTS LABELS SHEET DIAMANTE	ETIQUETTE PRODUITS DIAMANTE BLK	FOGLIO ETICH.PRODOTTI DIAMANTE B	FOGLIO ETICH.PRODOTTI DIAMANTE B	
43	U15001899	FOGLIO ETICH.PRODOTTI DIAMANTE B	PRODUCTS LABELS SHEET DIAMANTE	ETIQUETTE PRODUITS DIAMANTE BLK	FOGLIO ETICH.PRODOTTI DIAMANTE B	FOGLIO ETICH.PRODOTTI DIAMANTE B	
44	U15002030	FOGLIO ETICH.PRODOTTI DIAMANTE B	PRODUCTS LABELS SHEET DIAMANTE	NON UTILISEE POUR LA FRANCE ET B	FOGLIO ETICH.PRODOTTI DIAMANTE B	FOGLIO ETICH.PRODOTTI DIAMANTE B	
45	U15002031	FOGLIO ETICH.PRODOTTI DIAMANTE B	PRODUCTS LABELS SHEET DIAMANTE	ETIQUETTE PRODUITS DIAMANTE BLK	FOGLIO ETICH.PRODOTTI DIAMANTE B	FOGLIO ETICH.PRODOTTI DIAMANTE B	
46	U15002032	FOGLIO ETICH.PRODOTTI DIAMANTE B	PRODUCTS LABELS SHEET DIAMANTE	ETIQUETTE PRODUITS DIAMANTE BLK	FOGLIO ETICH.PRODOTTI DIAMANTE B	FOGLIO ETICH.PRODOTTI DIAMANTE B	
47	U15002015	ETICHETTA ISTRUZIONI DIAMANTE BL	INSTRUCTIONS LABEL DIAMANTE BLK	ETIQUETTES INSTRUCTIONS DIAMANTE	BEDIENUNGSSCHILD DIAMANTE BL	ETICHETTA ISTRUZIONI DIAMANTE BL	
48	U15002016	ETICHETTA ISTRUZIONI DIAMANTE BL	INSTRUCTIONS LABEL DIAMANTE BLK	ETIQUETTES INSTRUCTIONS DIAMANTE	BEDIENUNGSSCHILD DIAMANTE BL	ETICHETTA ISTRUZIONI DIAMANTE BL	
49	U15002017	ETICHETTA ISTRUZIONI DIAMANTE BL	INSTRUCTIONS LABEL DIAMANTE BLK	ETIQUETTES INSTRUCTIONS DIAMANTE	BEDIENUNGSSCHILD DIAMANTE DE	ETICHETTA ISTRUZIONI DIAMANTE BL	
50	U15002018	ETICHETTA ISTRUZIONI DIAMANTE BL	INSTRUCTIONS LABEL DIAMANTE BLK	ETIQUETTES INSTRUCTIONS DIAMANTE	BEDIENUNGSSCHILD DIAMANTE ENG	ETICHETTA ISTRUZIONI DIAMANTE BL	
51	U15002019	ETICHETTA ISTRUZIONI DIAMANTE BL	INSTRUCTIONS LABEL DIAMANTE BLK	NON UTILISEE POUR LA FRANCE ET B	BEDIENUNGSSCHILD DIAMANTE ESP	ETICHETTA ISTRUZIONI DIAMANTE BL	
52	U15002050	ETICHETTA ISTRUZIONI DIAMANTE BL	INSTRUCTIONS LABEL DIAMANTE BLK	ETIQUETTES INSTRUCTIONS DIAMANTE	BEDIENUNGSSCHILD DIAMANTE POR	ETICHETTA ISTRUZIONI DIAMANTE BL	
53	U15002051	ETICHETTA ISTRUZIONI DIAMANTE BL	INSTRUCTIONS LABEL DIAMANTE BLK	ETIQUETTES INSTRUCTIONS DIAMANTE	BEDIENUNGSSCHILD DIAMANTE NL	ETICHETTA ISTRUZIONI DIAMANTE BL	
54	0875.951	FOGLIO SUPP.TARGHETTE PROD.ZUCCH	ADD. SHEET SUGAR PROD. LABELS	SUPPORT ETIQUETTES SUCRE	Vorlage für Becher/Zuckerschilch	FOGLIO SUPP.TARGHETTE PROD.ZUCCH	
55	0875.952	FOGLIO SUPP.TARGHETTE PRODOTTI	PROD PRICES SHEET DRAWERS 6 SP.	SUPPORT ETIQUETTES PRODUITS	Vorlage für Produktschildchen	FOGLIO SUPP.TARGHETTE PRODOTTI	
56	0875.955	PROTEZIONE ADESSIVA X SUPP.TARGH.	ADHESIVE PROTECTION	PROTECTION ADHESIVE	Schutzfolie zu Beschriftungssatz	PROTEZIONE ADESSIVA X SUPP.TARGH.	
57	0775.989	ADESIVI PREZZI BIANCO EURO	PRICE LABELS WHITE EURO	ETIQUETTE PRIX ADHESIVE EURO BLA	Preisaufkleber weisss EUR	ADESIVI PREZZI BIANCO EURO	
58	0862.984	ADESIVI PREZZI SVIZZERA	PRICE LABELS SWITZERLAND	NON UTILISEE PAR LA FRANCE ET BE	Preisaufkleber weisss SCHWEI	ADESIVI PREZZI BIANCO EURO	
59	U110.006	VITE AUT.TCB 2.9X13 DIN 7981 F N	screw AUT.TCB 2.9x13 DIN 7981 F	VIS AUT.TCB 2.9x13 DIN 7981 F NI	SCHRAUBE 2.9X13 DIN 7981	VITE AUT.TCB 2.9X13 DIN 7981 F N	
60	0875.401	BOCCOLA X LEVA BLOCCAGGIO VANO	BUSH FOR LOCK LEVER	ENTRETOISE	Buchse für Feder CS neu	BOCCOLA X LEVA BLOCCAGGIO VANO	
61	0875.428.270	LEVA SX BLOCCAGGIO VANO EROGAZIO	LEFT LEVER BLOCK VAIN DISPENSER	LEVIER DE BLOCAGE RECUP GOBELETS	Verschlußhebel links Ausgabefach	LEVA SX BLOCCAGGIO VANO EROGAZIO	
62	0875.405.050	ASS.CARCASSA VANO EROGAZIONE	CASING ASS.	CHASSIS RECEPTAGE	Geräusese Ausgabefach CS neu	ASS.CARCASSA VANO EROGAZIONE	
63	0875.395.270	LEVA DX BLOCCAGGIO VANO EROGAZIO	RIGHT LEVER BLOCK VAIN DISPENSER	LEVIER DE BLOCAGE	Verschlußhebel rechts Ausgabefach	LEVA DX BLOCCAGGIO VANO EROGAZIO	
64	U109.016	VITE AUT.TCB 3.9X13 DIN 7981 C N	screw AUT.TCB 3.9x13 DIN 7981 C	VIS TCB3.9X13DIN7981C NIK	Schraube 3.9x13 DIN 7981C	VITE AUT.TCB 3.9X13 DIN 7981 C N	
65	0875.394.050	VASCA DEFLUSSO LIQUIDI X VANO ER	TANK OUTFLOW LIQUID FOR VAIN DIS	VASQUE DE RECUPERATION EAUX	Restwasserablauf CS neu	VASCA DEFLUSSO LIQUIDI X VANO ER	
66	0875.233	MOLLA X VASCHETTA VANO EROGAZIO	SPRING FOR DISPENSING SPACE TANK	RESSORT	Feder zu Abtropfschale Ausgabes.	MOLLA X VASCHETTA VANO EROGAZIO	
67	0875.149	MOLLA X VANO EROGAZIONE	SPRING FOR DISPENSING COMP.	RESSORT	Feder zu Ausgabeschacht	MOLLA X VANO EROGAZIONE	
68	U116.005	VITE AUT.PT TCB 3.0X8 WN 1441 ZN	screw AUT.PT TCB 3.0x8 WN 1441	VIS DE FIXATION	Schraube 30 x 8	VITE AUT.PT TCB 3.0X8 WN 1441 ZN	
69	0875.398.270	LEVA X FLANGIA SPORT.VANO EROGAZ	LEVER FOR DOOR FLANGE VAIN DISPE	LEVIER DE PORTE SUPPORT GOBELET	Griff Ausgabefach CS neu	LEVA X FLANGIA SPORT.VANO EROGAZ	

40-41-42-43-44-45-46

47-48-49-50-51-52-53

54

55

56

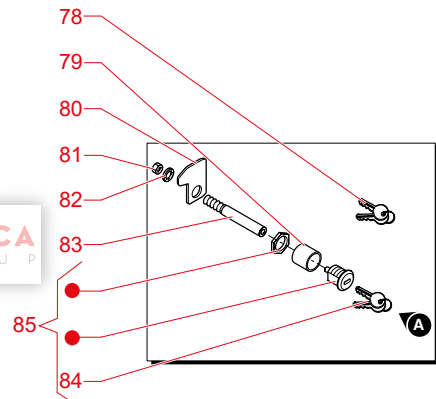
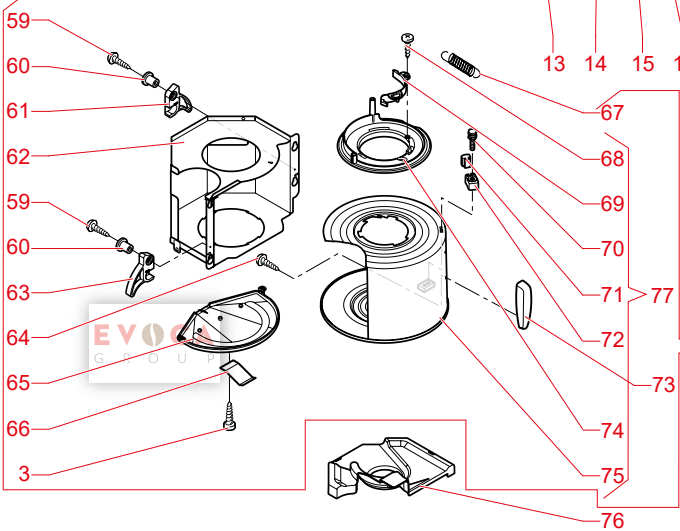
57-58









38 39 9 3 27 28

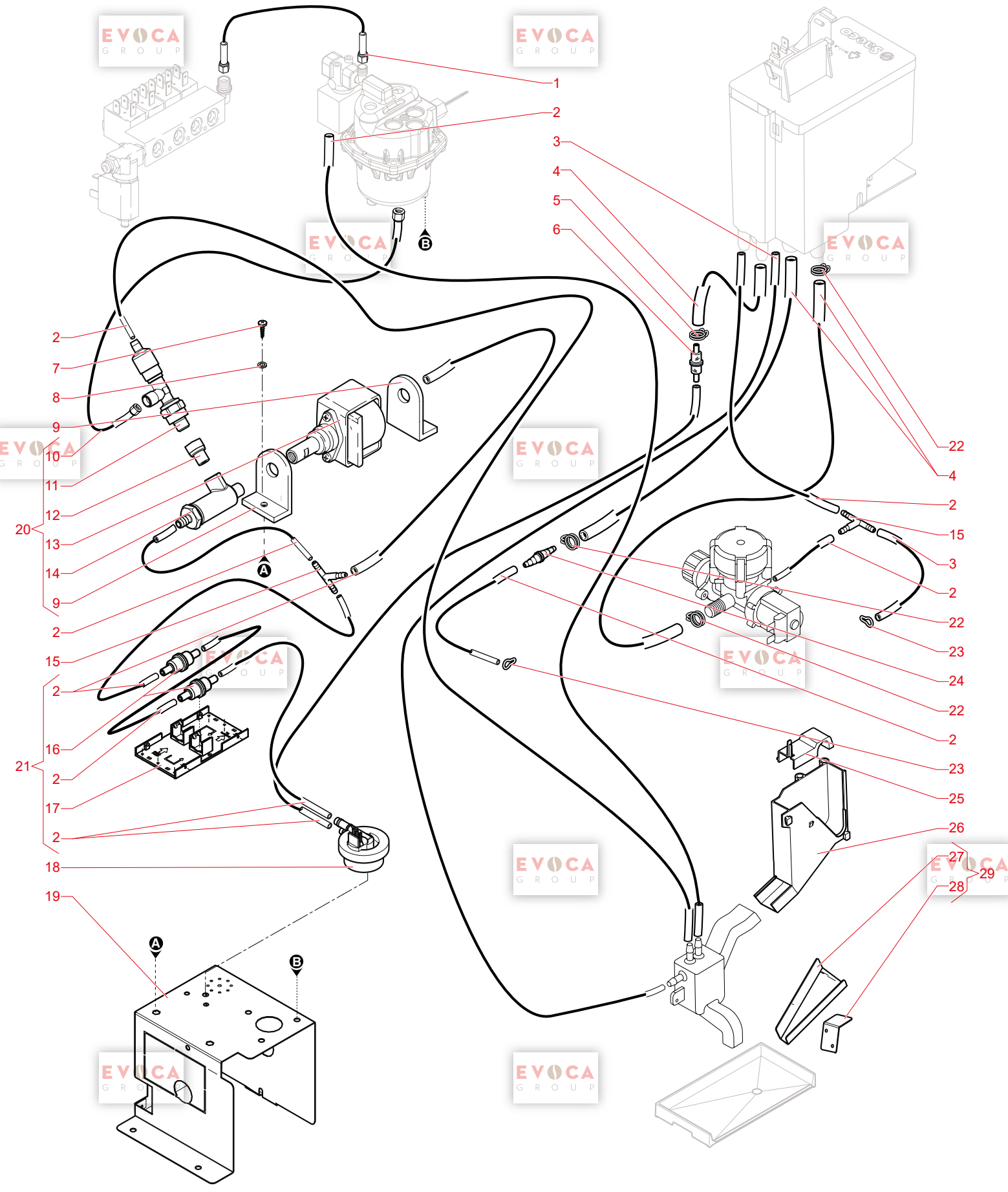
27 28 12 29 30 31 3 32 33 3 34 35 36

1
2
3
4
3
5
6
7
8
3
9
10
9
11
12

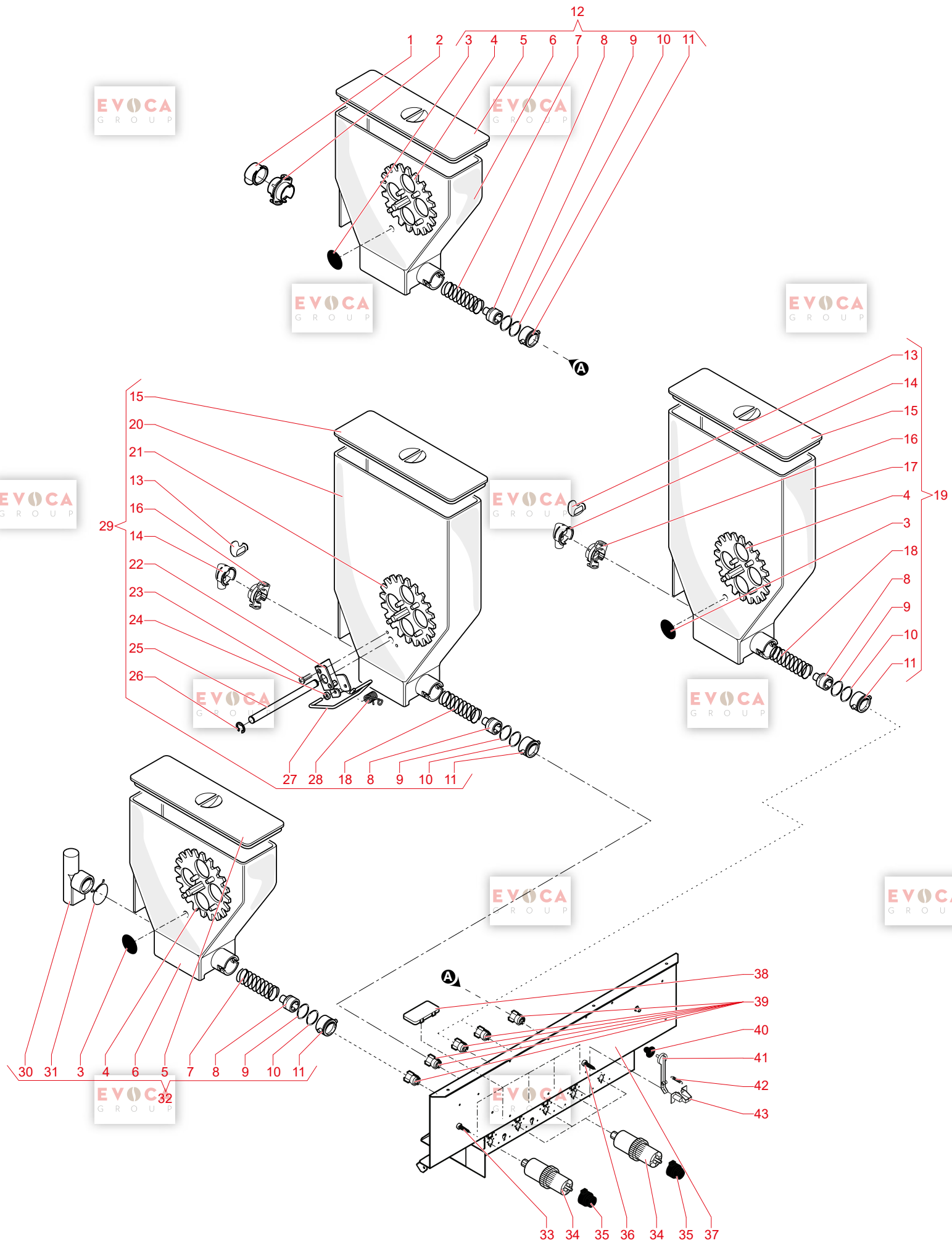
13 14 15 16 17 18 3 19 20 21 22 23-37 3 24 25 26



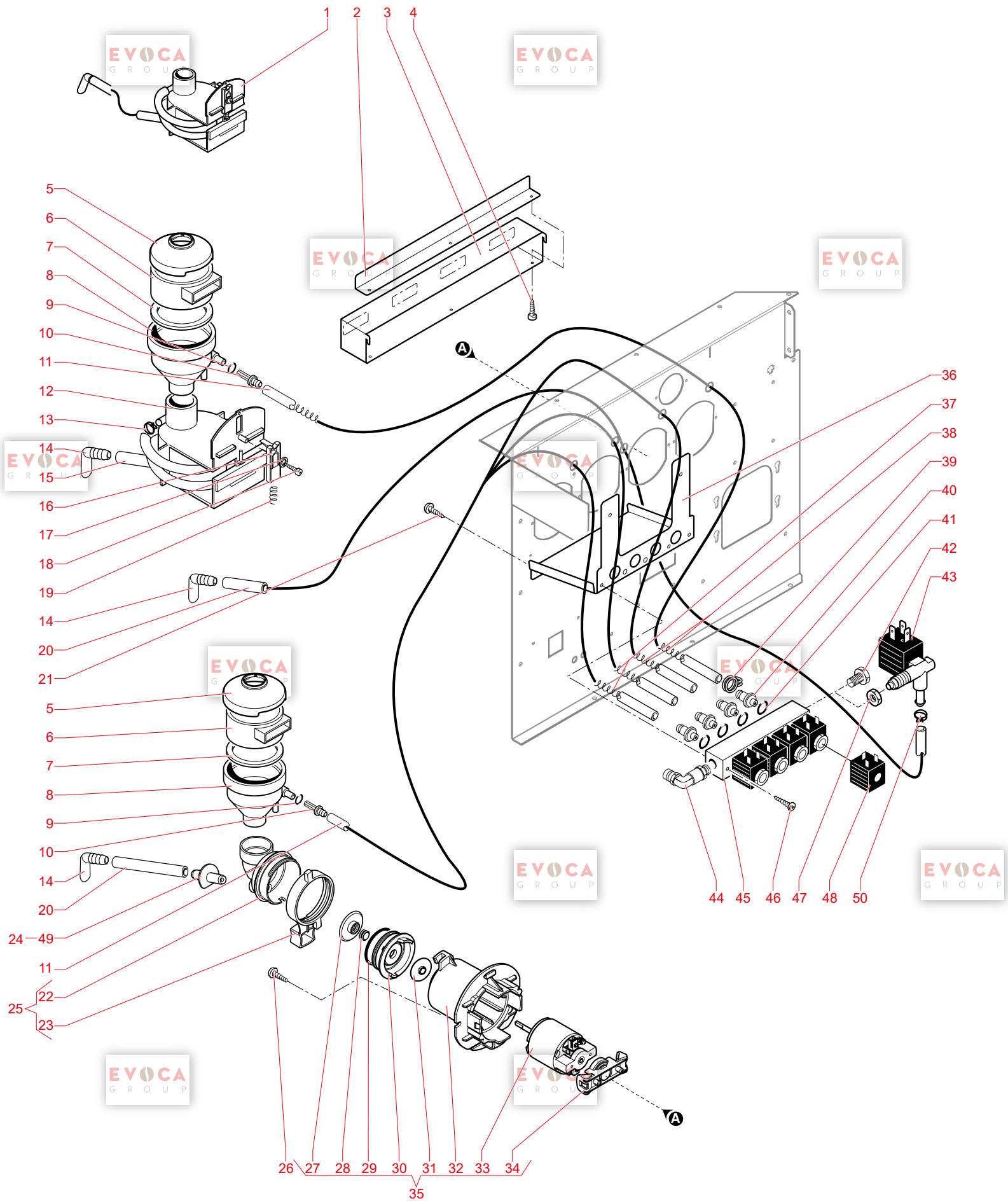
N.POSI	COD	I - DESCRIZIONE	UK - DESCRIPTION	F - DESCRIPTION	D - BEZEICHNUNG	E - DESCRIPCION	NOTE
70	0875.402	PERNO X MOLLA VANO EROGATORE	PIN FOR SPRING	AXE DE RESSORT	Gelenk für Feder CS neu	PERNO X MOLLA VANO EROGATORE	
71	0875.150	GOMMINO X VANO EROGAZIONE	RUBBER FOR DISPENSING COMP.	GOMME	Schutzgummi	GOMMINO X VANO EROGAZIONE	
72	0875.399.270	SUPPORTO X PERNO MOLLA VANO EROG	SUPPORT FOR PIN SPRING VAIN DISP	SUPPORT D'AXE DE RESSORT	Halterung CS neu	SUPPORTO X PERNO MOLLA VANO EROG	
73	11006842	MANIGLIA VANO EROGAZIONE GRY	DISPENSING COMPARTM.HANDLE GREY	POIGNEE	MANIGLIA VANO EROGAZIONE GRY	MANIGLIA VANO EROGAZIONE GRY	
74	0875.396.050	FLANGIA BLOCCAGGIO SPORTELLLO VAN	DOOR RETAINING FLANGE	FLASQUE DE BLOCAGE PORTE RECEP	Aufhängung für Becherausgabesche	FLANGIA BLOCCAGGIO SPORTELLLO VAN	
75	11002553	SPORT VANO EROGAZ. SALDATO GRIGLI	WELDED BEVERAGES DISPENSER'S DOO	ENS RECUP GOBELET	Schebetür Ausgabefach Pixiglas	SPORT VANO EROGAZ. SALDATO GRIGLI	
76	0875.400.050	CARTER X VANO EROGAZIONE	CASING FOR DISPENSING COMPART.	CARTER RECEPTACLE GOBELETS	Ring für Becherausgabe schwarz C	CARTER X VANO EROGAZIONE	
77	0875.R15	KIT RICAMBIO VANO EROGAZIONE	KIT SPARE PART VAIN DISPENCER	KIT RECEPTACLE GOBELETS	Umbaukit Becherausgabe CS neu	KIT RICAMBIO VANO EROGAZIONE	
78	20007671	CHIAVE DI RIPROGRAMMAZIONE RS1	PROGRAMMING KEY RS1	CLEF DE PROGRAMMATION RS1	Programmierschlüssel RS1	CHIAVE DI RIPROGRAMMAZIONE RS1	
79	0875.218	BOCCOLA SERRATURA	LOCK BUSH	BAGUE SERRURE	Hülse zu Türschloß	BOCCOLA SERRATURA	
80	11003519	PIASTRINA X SERRATURA COMBI	PLATE FOR LOCK COMBI	LEVIER DE SERRURE	Plättchen zu Schloß	PIASTRINA X SERRATURA COMBI	
81	U302.006	DADO ESAGONALE M10 UNI 5588 ZNP	nut HEXAGONAL M10 UNI 5588	RONDELLE	Sechskantmutter M10 DIN 985 verz	DADO ESAGONALE M10 UNI 5588 ZNP	
82	U208.008	ROSETTA DENT. 10.5X18 UNI 3703 Z	TOOTHED WASHER 10.5X18 UNI 3703	ROSETTE	Fächerscheibe A10,5 DIN 6798	ROSETTA DENT. 10.5X18 UNI 3703 Z	
83	11035088	PERNO X SERRATURA RS1 DIAMANTE	PIN FOR LOCK RS1 DIAMANTE	PIVOT DE SERRURE RS1 DIAMANTE	Bolzen zu Schloß	PERNO X SERRATURA RS1 DIAMANTE	
84	20007692	CHIAVE IN USO RIELDA RS1	KEY RIELDA RS1	CLEF RIELDA RS1	Schlüssel Rielda RS1	CHIAVE IN USO RIELDA RS1	
85	12002251	SERRATURA RIELDA MOD. 458 RS1	LOCK RIELDA MOD. 458 RS1	SERRURE RIELDA MOD. 458 RS1	Schloß + Schlüssel Rielda	SERRATURA RIELDA MOD. 458 RS1	
86	11006851	ASS.VANO EROGAZIONE GRY	DISPENSING COMPARTMENT ASS. GREY	RECEPTACLE GOBELETS DIAMANTE GRI	DISPENSING COMPARTMENT GREY		



N.POSI	COD	I - DESCRIZIONE	UK - DESCRIPTION	F - DESCRIPTION	D - BEZEICHNUNG	E - DESCRIPCION	NOTE
1	11025286	"ASS.TUBO TEFLON 3X6 L.250 1/8"-1"	"TEFLON TUBE 3X6 L.250 1/8"-1/8"	"ENS. TUBE TEFLON 3X6 L.250 1/8"-1"	"TEFLON TUBE 3X6 L.250 1/8"-1/8"	"ASS.TUBO TEFLON 3X6 L.250 1/8"-1"	
2	9972.246	TUBO SILICONE 5X10 L.2000MM	SILICONE TUBE 5X10 L.2000MM	TUBE SILICONE 5X10 L=2000 MM	Siliconschlauch 5X10 L=2000 mm	TUBO SILICONE 5X10 L=2000 MM	
3	9972.057	TUBO SILICONE 5X8 L.2000MM	SILICONE TUBE 5X8 L.2000MM	TUBE SILICONE MARRON L2M 5X8	Siliconschlauch 5x8, l=2mtr. bra	TUBO SILICONE MARRON 5X8 L.2000	
4	9972.055	TUBO SILICONE 7X11 L.2000MM	SILICONE TUBE 7X11 L.2000MM	TUBE SILICONE 8X12	Siliconschlauch 8x12, l=2mtr.	TUBO SILICONE 8X12 L=2000 MM	
5	NV99.072	FASCETTA STRINGITUBO D. 11.6/12.3	HOSE CLAMP D. 11.6/12.3	ATTACHE D. 11.6/12.3	Schlauchklemme D=11.6-12.3	FASCETTA STRINGITUBO D. 11.6/12.	
6	144650300	FILTRO IN ASPIRAZ.RETE 500 OV	ASPIRATION FILTER GAUZE NET 500	VIS D'ASPIRATION	Wasserfilter 952 D=8 nur Espresso	FILTRO IN ASPIRAZ.RETE 500 OV	
7	U109.013	VITE TCB 3.5X13 UNI 6954 NIK	PLAIN WASHER 4.3X16 UNI 6592 GAL	RONDELL 4.3-16 UNI6592ZNP	Linse-Blechschr. 3.5x13 DIN 798	VITE TCB 3.5X13 UNI 6954 NIK	
8	U207.004	ROSETTA PIANA 4.3X16 UNI 6592 ZN	EATON PUMP SUPPORT 4002012 MAGIC	SUPPORT DE POMPE	Pumpenhalterung Typ Eaton sz.	ROSETTA PIANA 4.3X16 UNI 6592 ZN	
9	149185850	SUPP.POMPA EATON MAGIC 4002012	"TEFLON TUBE 3X6 L.310 1/8"-1/8"	"ASS.TUBO TEFLON 3X6 L.310 1/8"-1"	"TEFLON TUBE 3X6 L.310 1/8"-1/8"	SUPP.POMPA EATON MAGIC 4002012	
10	11025287	"ASS.TUBO TEFLON 3X6 L.310 1/8"-1"	SAFETY VALVE/NON RETURN ASS. NEW	VALVE ANTI RETOUR	Sichheitss- Rückschlagventil	"ASS.TUBO TEFLON 3X6 L.310 1/8"-1"	
11	11005590	ASS.VALVOLA SICUREZZ.NRITORNORN	RIDUZIONE F/M 1/8 GAS	BRASS PUMP	Reduzierung 1/8" P500/700	ASS.VALVOLA SICUREZZ.NRITORNORN	
12	9181.316	POMPA IN OTTONE	BRASS PUMP	RACCORD	BRASS PUMP	POMPA IN OTTONE	
13	9070.042.00A	VALVOLA BYPASS OLAB TEA	BY PASS VALVE AOLAB TEA	BY PASS VALVE OLAB TEA	Ventil By-pass OLAB TEA	VALVOLA BYPASS OLAB TEA	
14	1036334	RACCORDO A T MORONI 8026047 D=8	CONNECTOR T MORONI 8026047 D=8	RACCORD EN T 8026047 D=8	T-Racord Moroni 8026047 d=8 mm	RACCORDO A T MORONI 8026047 D=8	
15	NV99.004	FILTRO POLMONE IN ASPIRAZ.RETE I	FILTER INTAKE IN LUNG WATER SUPP	FILTRE D'ASPIRATION PP	Wasserfilter PP	FILTRO POLMONE IN ASPIRAZ.RETE I	
16	11036374	PANNELLO ORIENTAMENTO FILTRI	PANEL FOR ORIENTATION FILTERS	PANEL FOR ORIENTATION FILTERS	PANEL FOR ORIENTATION FILTERS	PANNELLO ORIENTAMENTO FILTRI	
17	11033067	AS.TURBINA D=1,2	TURBINE D=1.2 ASSY	DEBITMETRE D=1.2	TURBINE D=1.2	AS.TURBINA D=1.2	
18	NV99.099	SUPPORTO CALDAIA POMPA TURBINA I	PUMP BOILER SUPPORT	PUMP BOILER SUPPORT	PUMP BOILER SUPPORT	SUPPORTO CALDAIA POMPA TURBINA I	
19	11035284	ASS.POMPA EX5 SD1 DIAMANTE EVO 2	ASSEMBLY PUMP EX5 SD1 230V	ENS. POMPE EX5 SD1 230V	ASSEMBLY PUMP EX5 SD1 230V	ASS.POMPA EX5 SD1 DIAMANTE EVO 2	
20	11036400	ASS.LOOP DIAMANTE EVO	LOOP DIAMANTE EVO	LOOP DIAMANTE EVO	LOOP DIAMANTE EVO	ASS.LOOP DIAMANTE EVO	
21	11036495	FASCETTA STRINGITUBO D. 13.3/14.	HOSECLAMP D. 13.3/14.1	ATTACHE D. 13.3/14.1	Klemmfeder d=13.3/14, 1mm	FASCETTA STRINGITUBO D. 13.3/14.	
22	NV99.050	MOLLA CHIUSURA TUBO SCARICO	DISCHARGE TUBE CLOSURE SPRING	GOUJILLE	Klemmfeder	MOLLA CHIUSURA TUBO SCARICO	
23	9111.141	RACCORDO BICONO	BICONE CONNECTOR	RACCORD POUR TUBE	Verbindungsstück CS Instant N	RACCORDO BICONO	
24	NV99.095	COPERTURA CANALINO RACCOGLIGOCCE	DRIP CHANNEL COVER	COUV.CANAL DECOMPRESSION	Abdeckung zu Auffangrichter, br	COPERTURA CANALINO RACCOGLIGOCCE	
25	9161.262.060	CANALINO SCARICO CAFFE' CORTO	COFFEE DISCHARGE CHANNEL SHORT	CANAL EAU USEES	Restwassersammler CS, P8	CANALINO SCARICO CAFFE' CORTO	
26	9111.597.050	CONVOGLIATORE SCARICO LIQUIDI	LIQUID DROP CONVEYOR	LIQUID DROP CONVEYOR	LIQUID DROP CONVEYOR	CONVOGLIATORE SCARICO LIQUIDI	
27	11036122	STAFFA SUPPORTO CONVOGLIATORE	SUPPORT CONVEYOR	SUPPORT CONVEYOR	SUPPORT CONVEYOR	STAFFA SUPPORTO CONVOGLIATORE	
28	11036123	ASS.SCARICO LIQUIDI	LIQUID DROP	LIQUID DROP	LIQUID DROP	ASS.SCARICO LIQUIDI	
29	11036121						



N.POSI	COD	I - DESCRIZIONE	UK - DESCRIPTION	F - DESCRIPTION	D - BEZEICHNUNG	E - DESCRIPCION	NOTE
1	9111.636.060	BOCCHETTA X TRAMOGGIA ZUCCHERO	Aperture for sugar hopper	EMBOUT SUCRE	Trichterauslauf Zucker	BOCCHETTA X TRAMOGGIA ZUCCHERO	
2	9111.628.060	BOCCOLA CON PARATIA E AGGANCI	BUSH	SUPPORT EMBOUT Poudre	Hülse mit Verschluss braun	BOCCOLA CON PARATIA E AGGANCI	
3	9111.646	ADESIVO X SERBATOIO	ADHESIVE FOR TANK	ADHESIF POUR BAC	Aufkleber zu Produktbehälter	ADESIVO X SERBATOIO	
4	11032877	RUOTA X POLVERI FRESATA BPA FREE	WHEEL FOR POWDERS BPA FREE	ROUE DENTEE BACA Poudre	Pulverrad P57 BPA FREE	RUOTA X POLVERI FRESATA BPA FREE	
5	9111.013.060	COPERCHIO X POLVERI MARRON	LID FOR POWDERS BROWN	COUV.BAC A Poudre	Produktbehälterdeckel	COPERCHIO X POLVERI MARRON	
6	9111.012.100	SERBATOIO X POLVERI	TANK FOR POWDERS	BAC Poudre SEUL	Produktbehälter	SERBATOIO X POLVERI	
7	9111.019	MOLLA X MOLLA MARRON	SPRING FOR POWDERS	VIS DE DISTRIBUTION	Produktbehälter	MOLLA X MOLLA MARRON	
8	9111.017.060	GIUNTO X MOLLA MARRON	COUPLING FOR SPRING BROWN	ENTRAIN VIS DE DISTRIBUT	Verbindungsstück Feder braun	GIUNTO X MOLLA MARRON	
9	NM03.013	OR 2.3X15 NBR	OR 2.3X15 NBR	JOINT 2.3 D 15 NBR	O-Ring Verschluss 2.3x15 P7 NBR	OR 2.3X15 NBR	
10	140328461	OR ORM 0190-10 EPDM	OR ORM 0190-10 EPDM	JOINT OR 0190-10 EPDM	O RING 0190-10 EPDM	OR ORM 0190-10 EPDM	
11	11005456	BOCCOLA POSTERIORE NEW	REAR BUSH NEW	EMBOUT ARRIERE	Halterhülse Produkthülse	BOCCOLA POSTERIORE NEW	
12	9110.032.060	ASS CONTENITORE ZUCCHERO 8P	BULKHEAD FOR APERT. CLOSURE ORAN	BAC SUCRE DA8P	Zuckerbehälter kpl. P8 / CombiS	ASS CONTENITORE ZUCCHERO 8P	
13	9111.338.270	PARATIA CHIUSURA BOCCHETTA ARANC	BULKHEAD FOR APERT. CLOSURE ORAN	VOLET FERMETURE ORANGE	Verschluss zu Stützen, orange	PARATIA CHIUSURA BOCCHETTA ARANC	
14	9111.629.060	BOCCHETTA X TRAMOGGIA X AGGANCI	Aperture for solubles hopper	EMBOUT Poudre	Stützen braun für Pulvertrichter	BOCCHETTA X TRAMOGGIA X AGGANCI	
15	9111.097.060	COPERCHIO X CONTENITORE SOLUBILI	LID FOR SOLUBLES CONT.	COUVERCLE POUR BACS A SOLUBLES	Produktbehälterdeckel	COPERCHIO X CONTENITORE SOLUBILI	
16	9111.630.060	BOCCOLA X SERBAT.POLVERI C/AGGAN	BUSH FOR POWDERS TANK	BAGUE EMBOUT Poudre	Hülse für Produktbehälter	BOCCOLA X SERBAT.POLVERI C/AGGAN	
17	9111.296.100	SERBATOIO X POLVERI ALTO 8P-COMB	TANK FOR POWDERS HIGH 8P-COMBI	BAC Poudre HAUT 8P / COMBI	Produktbehälter h=8P-Combi	SERBATOIO X POLVERI ALTO 8P-COMB	
18	9111.464	MOLLA X BOCCOLA IN PLASTICA	SPRING FOR BUSH IN PLASTIC	RESSORT BAGUE PLASTIQUE	Produktausgabefeder P500/700N, C	MOLLA X BOCCOLA IN PLASTICA	
19	9110.051.060	ASS.CONT.POLVERI 8P BOCCOLA N.V.	POWDER CONT.ASS. 8P BUSH N.V.	BAC Poudre COMPLET 8P NEW	Pulverbehälter kpl. Combi Snack	ASS.CONT.POLVERI 8P BOCCOLA N.V.	
20	9111.489.100	CONTENITORE SOL.C/AGITAT.8P-COMB	SOL. CONTAINER W/MIXER 8P-COMBI	BAC SOLUBLE AVEC AGITATEUR 8P /	Produktbehälter 8P-Combi	CONTENITORE SOL.C/AGITAT.8P-COMB	
21	9111.467.060	RUOTA X POLVERI CON AGITATORE	WHEEL FOR POWDERS WITH AGITATOR	ROUE CRANTEE	Mischrad Produktbehälter	RUOTA X POLVERI CON AGITATORE	
22	9111.471	SQUADRETTA SUPPORTO LEVA	LEVER SUPPORT BRACKET	SUPPORT LEVIER AGITATEUR	Befestigungswinkel zu Hebel	SQUADRETTA SUPPORTO LEVA	
23	12002039	VITE TCBD M4X12 ZN-B	SCREW TCBD TORX 20 M4X12 ZN-B	VIS TCBD M4X12 ZN-B	Schraube 3.5x48x28 TORX	VITE TCBD M4X12 ZN-B	
24	9111.469	DISTANZIALE LEVA DI AGITAMENTO	SPACER FOR AGITATING LEVER	ENTRETOISE POUR LEVIER AGITATEUR	Abstandhalter zu Mischerhebel	DISTANZIALE LEVA DI AGITAMENTO	
25	9111.470	PERNO DI ROTAZIONE	ROTATING PIN	AXE DE ROTATION	Antriebswelle	PERNO DI ROTAZIONE	
26	U701.001	ANELLO ELASTICO 4 UNI 7434	SNAP RING 4 UNI 7434	RONDELLE 4UNI 7434	Sicherungsring ø4 elastisch	ANELLO ELASTICO 4 UNI 7434	
27	9111.468	LEVA DI AGITAMENTO	AGITATING LEVER	LEVIER AGITATEUR	Mischerhebel	LEVA DI AGITAMENTO	
28	9111.472	MOLLA DI CONTRASTO	CONTRAST SPRING	RESSORT	Feder zu Mischerhebel	MOLLA DI CONTRASTO	
29	9110.060.060	ASS.CONTENIT. SOLUB.8P C/AGITATO	SOLUBLES CONT.ASS. 8P WITH AGITA	BAC SOLUBLE AVEC AGITATEUR	Pulverbehälter kpl. CS, P8	ASS.CONTENIT. SOLUB.8P C/AGITATO	
30	9111.171	BOCCOLA ANTERIORE A 90°	FRONT BUSH 90°	EMBOUT CAFE LYO	Pulverauslauf 90°	BOCCOLA ANTERIORE A 90°	
31	9111.177	MOLLA X BOCCOLA ANTERIORE A 90°	SPRING FOR FRONT BUSH 90°	RESSORT EMBOUT LYO	Federbügel zu Pulverauslauf 90°	MOLLA X BOCCOLA ANTERIORE A 90°	
32	9110.017.060	ASS.SERBATOIO DECAFFEINATO	DECAFFEINATED TANK ASSY.	BAC Poudre COMPLET DECA	PRODUKTBEHÄLTER KLEIN KOMPLETT M	ASS.SERBATOIO DECAFFEINATO	
33	U116.005	VITE AUT.PT TCB 3.0X8 WN 1441 ZN	screw AUT.PT TCB 3.0X8 WN 1441	VIS DE FIXATION	Schraube 30 x 8	VITE AUT.PT TCB 3.0X8 WN 1441 ZN	
34	9121.106.00P	MOTORIDUTTORE ZUCCHERO 24V D.C.	SUGAR RATIONMOTOR 24V DC	MOTEUR SUCRE DA10P 24V DC	Motor Zuckerrförderung 24V Gleich	MOTORIDUTTORE ZUCCHERO 24V D.C.	
35	9121.155	CUFFIA X MOTORIDUTTORE	HOOD FOR RATIONMOTOR	CAPOT POUR MOTOREDUCTEUR	Abdeckung Getriebemotor	CUFFIA X MOTORIDUTTORE	
36	129512903	VITE TCB PH-AB 2.9X13 UNI 6954 N	SCREW TCB PH-AB 2.9X13 UNI 6954	VIS TCB	SCHRAUBE M 2.9X13 UNI 6954 NIK	VITE TCB PH-AB 2.9X13 UNI 6954 N	
37	11036109	PIASTRA SUPPORTO MOTORI SOLUBILI	SUPPORT PLATE SOLUBLES MOTOR	SUPPORT PLATE SOLUBLES MOTOR	SUPPORT PLATE SOLUBLES MOTOR	PIASTRA SUPPORTO MOTORI SOLUBILI	
38	9111.522.060	GUIDA SCATOLA PRODOTTI	GUIDE PRODUCT'S BOX	GUIDE BOITE PRODUIT	Führungslatte für Produktbehält	GUIDA SCATOLA PRODOTTI	
39	9111.131	GIUNTO X MOTORE SOLUBILI	COUPLING FOR SOLUBLES MOTOR	ENGRENAGE BAC SAECO DA10P	Gummilüberzug Vibrationswinkel	GIUNTO X MOTORE SOLUBILI	
40	9111.133	GOMMINO X MARTELLETTO	RUBBER FOR BREAKER ARM	GOMME MARTEAU	Vibrationswinkel	GOMMINO X MARTELLETTO	
41	9111.132.050	MARTELLETTO X SOLUBILI NERO	BREAKER ARM FOR SOLUBLES BLACK	MARTEAU SOLUBLE	Zugfeder Vibrationswinkel	MARTELLETTO X SOLUBILI NERO	
42	9111.134	MOLLA X MARTELLETTO	SPRING FOR BREAKER ARM	RESSORT CAME	Halterung Rüttlerhebel schwarz	MOLLA X MARTELLETTO	
43	0801.086.050	SUPPORTO MARTELLETTO NERO	BREAKER ARM SUPPORT BLACK	SUPPORT NOIR		SUPPORTO MARTELLETTO NERO	



N.POSI	COD	I - DESCRIZIONE	UK - DESCRIPTION	F - DESCRIPTION	D - BEZEICHNUNG	E - DESCRIPCION	NOTE
1	0875.A55	ASS. MIXER A SPIRALI N.V.	ASS MIXER N.V.	ENS MIXER THE	Spiral-Mischer kplt. für Tee	ASS. MIXER A SPIRALI N.V.	
2	0875.284	DEFLETTORE ARIA	DEFLECTOR AIR	CACHE CARTER	Abdeckung zu Luftabzug	DEFLETTORE ARIA	
3	0875.005	CARTER ASPIRAZIONE X MIXER	ASPIRATION CASING FOR MIXER	CARTER ASPIRATION	Luftabzug zu Mixer	CARTER ASPIRAZIONE X MIXER	
4	U110.004	VITE AUT.TCB 3.5X6.5 DIN 7981 F	screw AUT.TCB 3.5X6.5 DIN 7981 F	VIS AUT.TCB 3.5X6.5 DIN 7981 F	Schraube 3.5X6.5 DIN7981F	VITE AUT.TCB 3.5X6.5 DIN 7981 F	
5	9111.020.060	COPERCHIO X IMBUTO DI MISCELAZIO	LID FOR FUNNEL MIXER	COUVERCLE BOL MIXEUR	Deckel zu Mischerrichter	COPERCHIO X IMBUTO DI MISCELAZIO	
6	9111.011.060	COPERCHIO X IMBUTO MARRON	SEAL FOR FUNNEL BROWN	BOL. PROD.LYOHPLISIE SEC	Trichterabdeckung braun	COPERCHIO X IMBUTO MARRON	
7	9111.009.060	IMBUTO X POLVERI MARRON	FUNNEL FOR POWDERS BROWN	RONDELLE DE BOL	Dichtung Trichter P7/P10	IMBUTO X POLVERI MARRON	
8	14032.1461	OR 2018 EPDM	O-RING 2018 EPDM	BOL. PROD.LYOPH.HUMIDE	Trichter Pulver P7/P10	OR 2018 EPDM	
9	11009.980	RACCORDO X IMBUTO NERO	CONNECTOR FOR FUNNEL BLACK	OR 2018 EPDM	O-Ring 2018 EPDM	RACCORDO X IMBUTO NERO	
10	9972.246	TUBO SILICONE 5X10 L.2000MM	SILICONE TUBE 5X10 L.2000MM	RACCORDO PLASTIQUE	Silikonverschleiß 5X10 L=2000 mm	TUBO SILICONE 5X10 L=2000 MM	
11	1101.043.060	MISCELATORE THE X TUBO 11 MM	HOSE CLAMP D. 11.6/12.3	PIECE SUPPORT MIXER	Mixer für Tee CS Instant N	MISCELATORE THE X TUBO 11 MM	
12	NV99.072	FASCETTA STRINGITUBO D. 11.6/12.	RAPID FIXING MIXER	ATTACHE D. 11.6/12.3	Schlauchklemme D=11.6-12.3	FASCETTA STRINGITUBO D. 11.6/12.	
13	9111.349	UGELLO EROGAZIONE GOMITO	ELBOW DISPENSING NOZZLE	BUSE SORTIE COUDE	Produktauslaufanschluß beweglich	UGELLO EROGAZIONE GOMITO	
14	9972.055	TUBO SILICONE 7X11 L.2000MM	CURSORE FOR SPIRAL MIXER	TUBO SILICONE 8X12	Siliconschlauch 8X12, l=2mtr.	TUBO SILICONE 8X12 L=2000 MM	
15	9111.209.060	CURSORE X FISSAGGIO MIX A SPIRAL	CURSORE FOR SPIRAL MIXER FIXING	CURSORE X FISSAGGIO MIX A SPIRALE	VERSCHLEISS GEHÄUSE TEEMISCHER P50	CURSORE X FISSAGGIO MIX A SPIRAL	
16	U207.004	ROSETTA PIANA 4.3X16 UNI 6592 ZN	PLAIN WASHER 4.3X16 UNI 6592 GAL	RONDELLE 4.3*16 UNI6592ZNP	Unterlegscheibe 4,3X16 UNI 5931	ROSETTA PIANA 4.3X16 UNI 6592 ZN	
17	U116.005	VITE AUT.PT TCB 3.0X8 WN 1441 ZN	screw AUT.PT TCB 3.0X8 WN 1441	VIS DE FIXATION	Schraube 3,0 x 8	VITE AUT.PT TCB 3.0X8 WN 1441 ZN	
18	9111.211	MOLLA X CURSORE MISCELATORE	SPRING FOR MIXER CURSOR	RESSORT DE CURSEUR	Feder für Schieber	MOLLA X CURSORE MISCELATORE	
19	9972.057	TUBO SILICONE 5X8 L.2000MM	SILICONE TUBE 5X8 L.2000MM	TUBO SILICONE MARRON L2M 5X8	Siliconschlauch 5x8, l=2mtr., bra	TUBO SILICONE MARRON 5X8 L.2000	
20	9111.227.060	VITE AUT.TCB 3.5X9.5 DIN 7981 F	screw AUT.TCB 3.5X9.5 DIN 7981 F	VIS AUT.TCB 3.5X9.5 DIN 7981 F N	Linsen-Blechschr. 3.5x9.5 DIN 79	VITE AUT.TCB 3.5X9.5 DIN 7981 F	
21	U110.003	GHIERA BLOCCAGGIO MIXER ARANCIO	MIXER CASING	CORPS MIXEUR 5P LYO	Mixergehäuse P500 / CombiSnack	GHIERA BLOCCAGGIO MIXER ARANCIO	
22	9111.230.270	MANICOTTO PORTATUBO STANDARD	MIXER LOCKING RING NUT ORANGE RA	BAGUE DE BLOCAGE MIXEUR	Verschleißring Mischbehältn.-Kaf	MANICOTTO PORTATUBO STANDARD	
23	9111.232.060	ASS.CORPO MIX	STD TUBE HOLDER SLEEVE	RACCORD TUBE	Anschlußmuffe Mischbehältn.stand.	ASS.CORPO MIX	STD
24	9110.027.060	VITE AUT.TCB 3.9X9.5 DIN 7981 C	MIX CASING ASS.	KIT MIXEUR COMBI	Mischerbehälter kplt. Inst.-Kaff	VITE AUT.TCB 3.9X9.5 DIN 7981 C	
25	U109.011	VENTOLINA A DISCO MIXER '05	DISK FAN	VIS TCB3.9X9.5DIN7981CNIK	Blechschrabe 3.9x9.5	VENTOLINA A DISCO MIXER '05	
26	9111.772.060	V-RING MIXER '05	V-RING MIXER '05	DISQUE INTERMEDIAIRE	Mixerflügel	V-RING MIXER '05	
27	NM05.015	OR ORM 0320-25 NBR	OR ORM 0320-25 NBR	JOINT MIXEUR '05	V-Ring Mixer '05	OR ORM 0320-25 NBR	
28	NM03.012	COPERTURA FLANGIA MIXER '05	COVER MIXER FLANGE	JOINT 0320-25 NBR	O-Ring 0320-25 P7 NBR	COPERTURA FLANGIA MIXER '05	
29	9111.770.060	ANELLO PROTEZIONE MOTORE MIXER '05	MOTOR PROTECTION RING	COLLERETTE COUVERCLE MIXER	Abdeckung Flansch zu Mischermoto	ANELLO PROTEZIONE MOTORE MIXER '05	
30	9111.773.060	FLANGIA MIXER '05	MIXER FLANGE	ANNEAU DE PROTECTION MOTEUR MIXE	Distanzbuchse	FLANGIA MIXER '05	
31	9111.769.150	MOTORE MIXER '05 24V DC - M.B.T.	MIXER MOTOR '05 24V DC	CORPS DE MIXER '05	Flansch zu Mischermotor	MOTORE MIXER '05 24V DC - M.B.T.	
32	9121.248.00P	AGG.MOTORE ARANCIO RAL2004 MIXER	MOTOR COUPLING ORANGE RAL	MOTEUR MIXEUR '05 24V DC	Motoraufhängung	AGG.MOTORE ARANCIO RAL2004 MIXER	
33	9111.771.270	SUPPORTO ELETTROVALVOLE	SOLENOID VALVE SUPPORT	MIXEUR COMPLET 24V DC	Mixermotor 24V DC Diamante	SUPPORTO ELETTROVALVOLE	
34	0862.010	MOLLA X TUBO PRODOTTO 3	SPRING FOR TUBE PRODUCT 3	MIXEUR COMPLET 24V DC	Aufnahmewinkel Ventilblock	MOLLA X TUBO PRODOTTO 3	
35	0701.083	MOLLA X TUBO PRODOTTO 1	SPRING FOR TUBE PRODUCT 1	RESSORT POUR TUBE PRODUIT 3	Feder Siliconschlauch Produkt 3	MOLLA X TUBO PRODOTTO 1	
36	0701.081	FASCETTA STRINGIT.D=9.8/10.6 107	TUBE-TIGHTENING CLAMP D=9.8/10.6	RESSORT POUR TUBE PRODUIT 1	FEDER IN SCHLAUCH	FASCETTA STRINGIT.D=9.8/10.6 107	
37	NV99.077	RACCORDO PORTAGOMMA TEA	RUBBER HOLDER CONNECTOR TEA	ATTACHE D=9.8/10.6 10799.41.00	Schlauchbinder ø9.8/10.6	RACCORDO PORTAGOMMA TEA	
38	11011.453	OR 2025 SILICONE	OR 2025 SILICONE	RACCORD TEA	Verschraubung mit Schlauchanschli	OR 2025 SILICONE	
39	12001.169	ELETTROVALVOLA OLAB 2 VIE DC TEA	BRASS CAP 1/8 GAS CONICAL TEA	JOINT 2025	O-Ring 2025 Silicon	ELETTROVALVOLA OLAB 2 VIE DC TEA	
40	11027.285	"RACCORDO ORIENT.DADO/OGV 1/8" G M"	OLAB SOLENOID VALVE 2 WAY DC TEA	BOUH LAITON 1/8 GAS CONIQ.TEA	Sechskantschraube 1/8", Messing	"RACCORDO ORIENT.DADO/OGV 1/8" G M"	
41	11025.082	BLOCCETTO 4 ELETTROVALVOLE DC O	SLOCK 4 ELECTROVALVE DC OLAB TEA	ELECTROVANNIE 2 V 24v DC TEA	2-Wege El.-Magnetventil Olab P8	BLOCCETTO 4 ELETTROVALVOLE DC O	
42	12951.6803	DADO 1/8 H.4.5	BLOCK 4 ELECTROVANNES DC OLAB TEA	BLOC 4 ELECTROVANNES DC OLAB TEA	Raccord 1/8 eine Seite schraubba	DADO 1/8 H.4.5	
43	9991.035	DADO 1/8 H.4.5	NUT 1/8 H.4.5	VIS 3.5*19 DIN 7981	Linsen-Blechs. 3.5x19 DIN 7981 N	DADO 1/8 H.4.5	
44	20005.373	MANICOTTO PORTATUBO DECAFFEINATO	SOLENOID X HSI 11023762	EPROU 1/8 H.4.5	"Sechskantmutter 1/8" GAS h=4,5mm"	MANICOTTO PORTATUBO DECAFFEINATO	
45	9111.233.060	FASCETTA STRINGIT. D=8.5 09993.4	DECAFF TUBE HOLDER SLEEVE	BOBINE ELECTROVANN.HS1 11023762	Spule HST 11023762	FASCETTA STRINGIT. D=8.5 09993.4	
46	NV99.036		HOSECLAMP D=8.5 09993.41.00	EMBOUIT TUBE	Anschlußstück		
47				ATTACHES 09993.41.00	Klemmfeder d=8,5mm		

EVOKA
GROUP

EVOKA
GROUP

EVOKA
GROUP

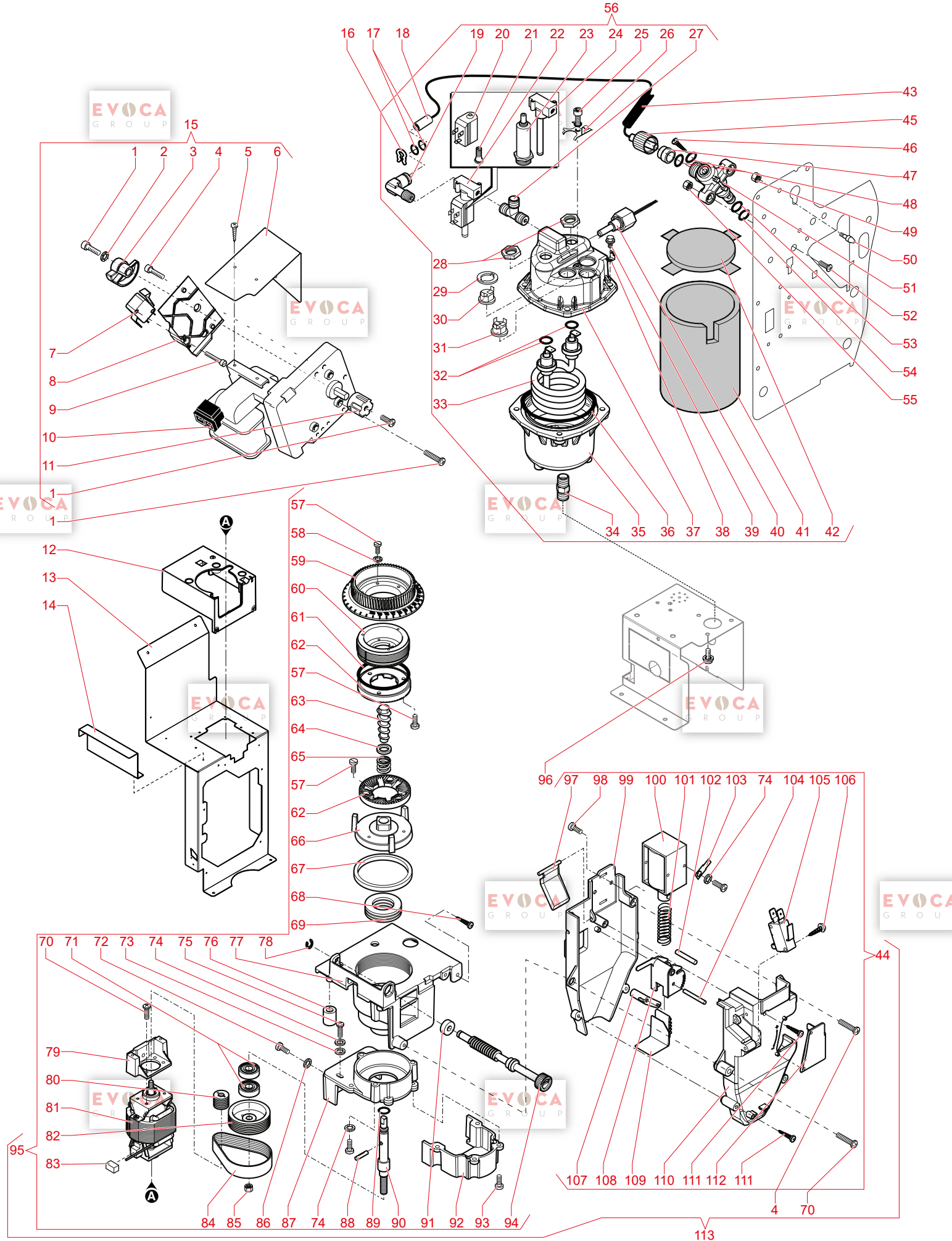
EVOKA
GROUP

EVOKA
GROUP

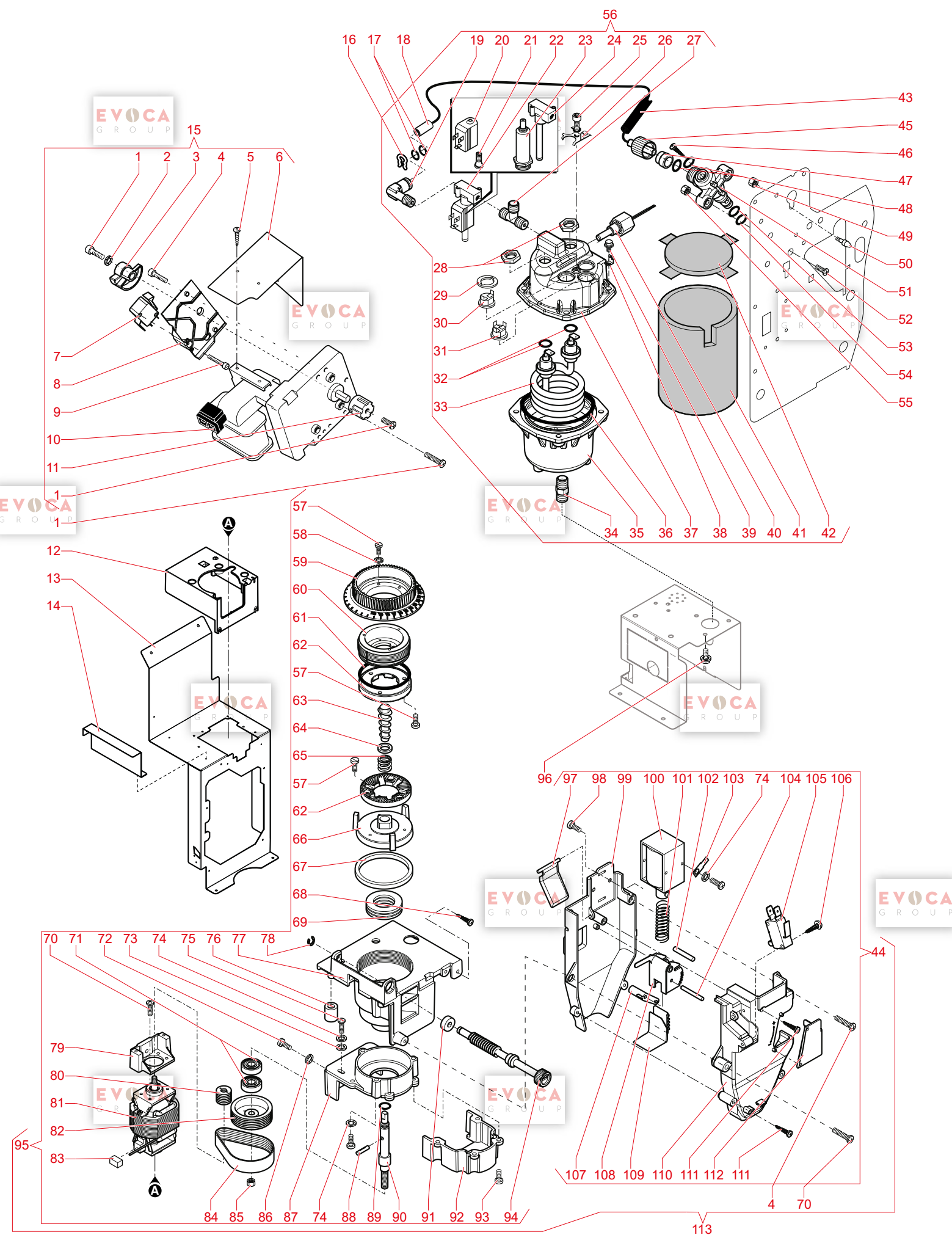
EVOKA
GROUP

EVOKA
GROUP

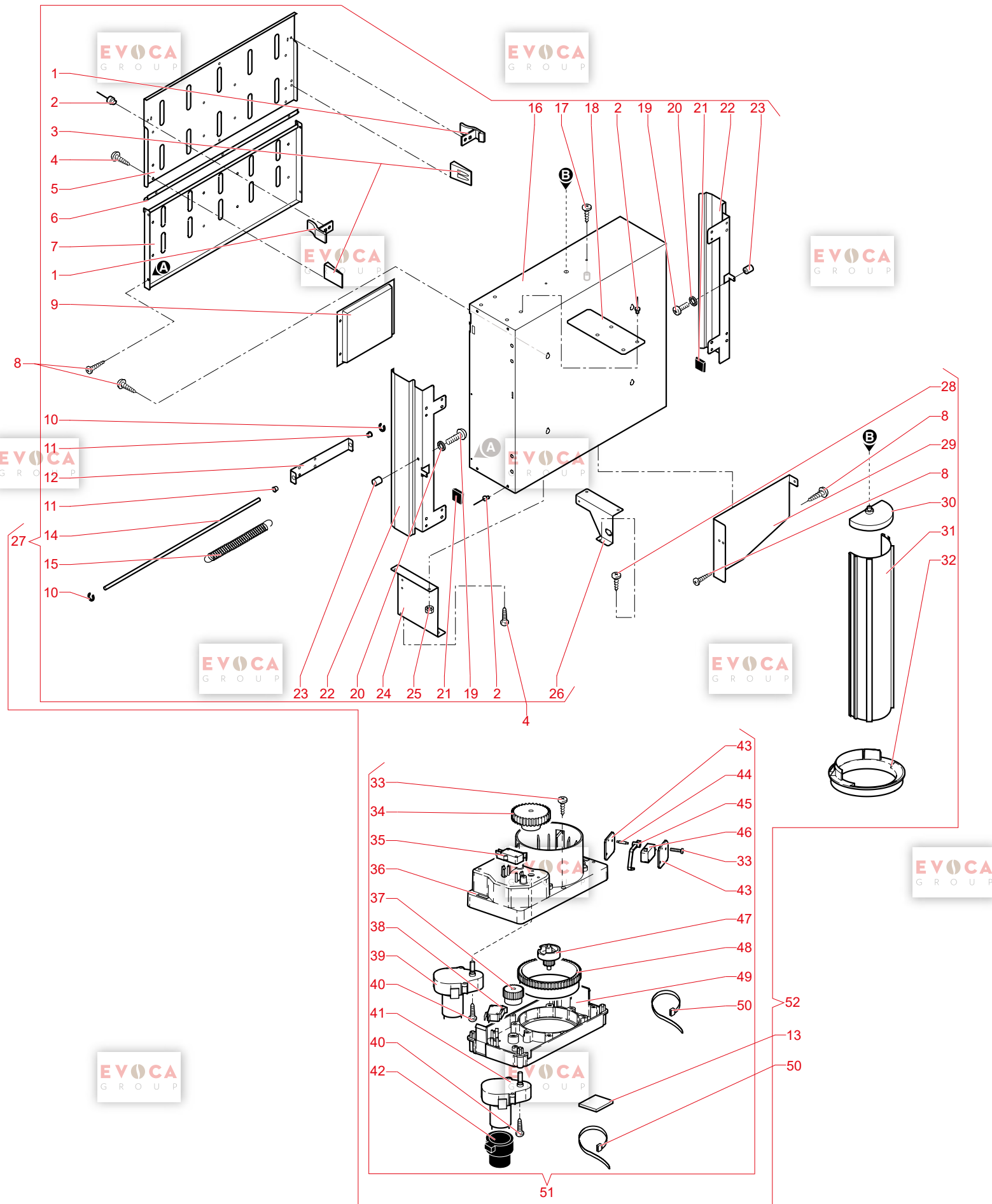
EVOKA
GROUP




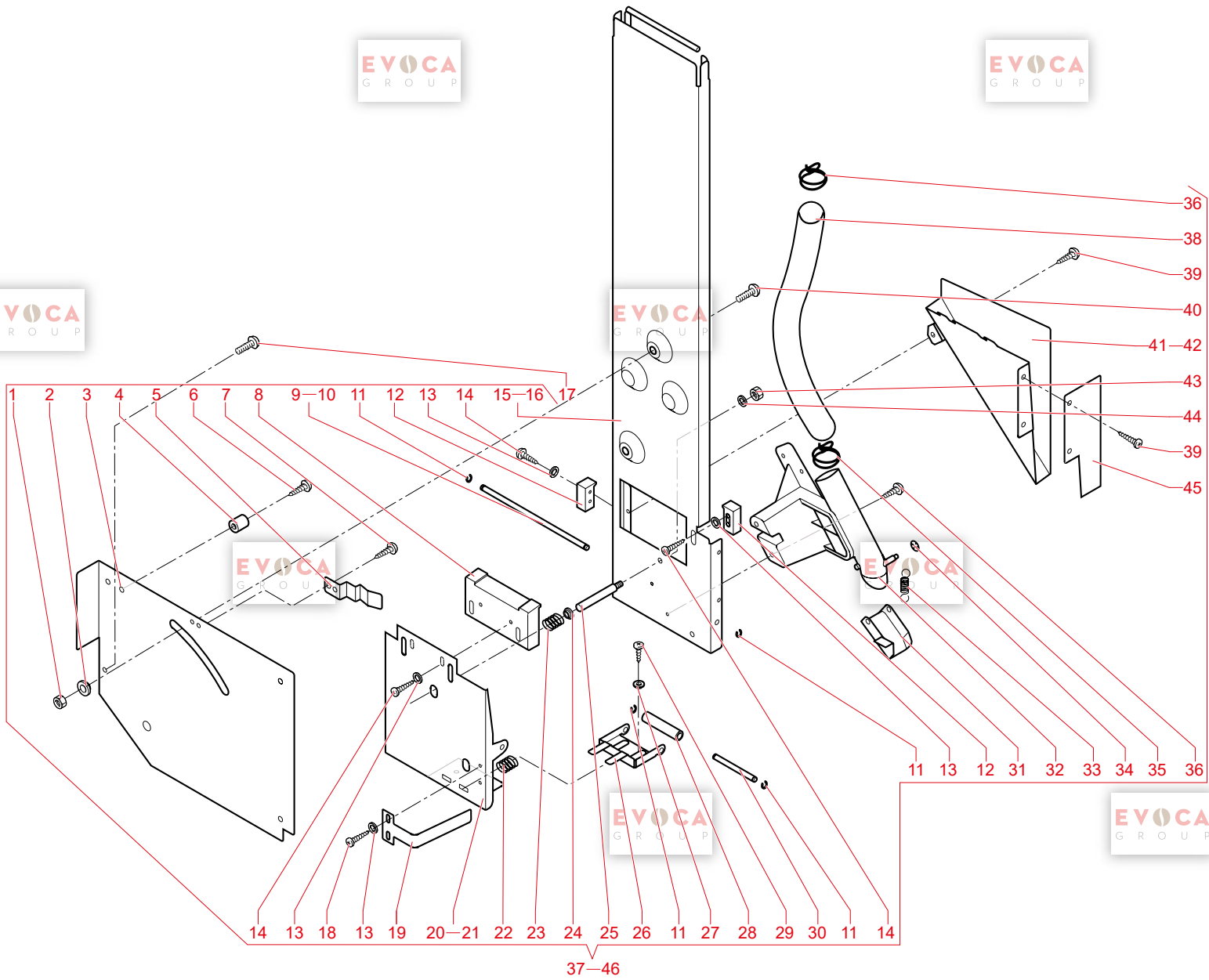
N.POSI	COD	I - DESCRIZIONE	UK - DESCRIPTION	F - DESCRIPTION	D - BEZEICHNUNG	E - DESCRIPCION	NOTE
1	129824002	VITE TCB M4X10 UNI 7687 ZNP	TCB SCREW M4X10 UNI 7687 ZNP	VIS TCB M4X10 UNI 7687	Schraube M4x10	VITE TCB M4X10 UNI 7687 ZNP	
2	128310404	ROSETTA UNI 8842 A4 BRUNITA	WASHER UNI 8842 A4 BURNTISHED	RONDELLE UNI 8842 A4	Fächerscheibe A4, 3 DIN 6798 verz	ROSETTA UNI 8842 A4 BRUNITA	
3	10335504	CAMMA UNICA MOTORIDUTTORE GRUPPO	RATIOMOTOR CAM COFFEE GROUP	RATIOMOTOR CAM COFFEE GROUP	RATIOMOTOR CAM COFFEE GROUP	CAMMA UNICA MOTORIDUTTORE GRUPPO	
4	129825502	VITE TCB M4X25 UNI 7687 ZNP	TCB SCREW M4X25 UNI 7687 ZNP	VIS TCB M4X25 7687	Linsen-schraube M4x25 DIN 7985 ve	VITE TCB M4X25 UNI 7687 ZNP	
5	129511903	VITE TCB 2.9X6.4 DIN 7981 BZ NIK	SCREW TCB 2.9X6.4 DIN 7981 BZ NI	VIS TCB 2.9X6.4 DIN 7981 BZ NICK	Blechschräube 2,9X6,4 Ni	VITE TCB 2.9X6.4 DIN 7981 BZ NIK	
6	11014251	SQUADRETTA RIPARO MOTORIDUTTORE	CENTRAL UNIT MOTOR STEEL CARTER	CARTER UNIT MOTOR	Schutzwinkel Getriebemotor	SQUADRETTA RIPARO MOTORIDUTTORE	
7	NE05066	MICROINTERRUTTORE CROUZET	MICROSWITCH CHERRY D419Q1A	MICRO INTERRUPTEUR CROUZET	Mikroschalter Getriebemotor Cris	MICROINTERRUTTORE CROUZET	
8	103355003	SUPPORTO MICRO MOTORIDUTTORE	SUPPORT MICRO RATIOMOTOR	SUPPORT MICRO RATIOMOTOR	SUPPORTO MICRO RATIOMOTOR	SUPPORTO MICRO MOTORIDUTTORE	
9	U112.001	VITE AUT.TSP 3.5X22 DIN 7982 F I	screw AUT.TSP 3.5X22 DIN 7982 F	VIS AUT.TSP 3.5X22 DIN 7982 F S	Schraube 3,5x22 DIN 7982 INOX	VITE AUT.TSP 3.5X22 DIN 7982 F I	
10	103355597	MOTORID. PACCO 30 PLAST.PF. 230	RATIOMOTOR 30 PLAST.PF. 230/240	MOTEUR REDUCTEUR	Getriebemotor 230/240-50	MOTORID. PACCO 30 PLAST.PF. 230	
11	9991.013	GIUNTO X MOTORIDUTTORE	JOINT FOR RATIOMOTOR	PIGNON MICRO REDUCTEUR	Kupplung GServicecibemotor P5-A	GIUNTO X MOTORIDUTTORE	
12	11008262	SUPPORTO MAGNINO	GRIND SUPPORT	SUPPORT MOULIN	MÜHLENAUFNAHME	SUPPORTO MAGNINO	
13	11036107	PIASTRA SUPPORTO MACINACAFFE'	SUPPORT PLATE COFFEEGRIND	SUPPORT PLATE COFFEEGRIND	SUPPORT PLATE COFFEEGRIND	PIASTRA SUPPORTO MACINACAFFE'	
14	11036327	SUPPORTO SX CONTENITORE GRANI	LX SUPPORT BEAN CONTAINER	LX SUPPORT BEAN CONTAINER	LX SUPPORT BEAN CONTAINER	SUPPORTO SX CONTENITORE GRANI	
15	11036405	ASS. MOTORIDUTTORE UNIFICATO 230V	RATIOMOTOR FOR DA 230V	MOTEUR REDUC CPLT 230V 50HZ	Getriebemotor kplt. 230V/ 50HZ	ASS. MOTORIDUTTORE UNIFICATO 230	
16	9011.144	FORCELLA X TUBO D=4 INOX	SS FORK FOR TUBE D=4	AGRAFE TUBAU	Sicherungsfeder Schlauch V1. RO	FORCELLA X TUBO D=4 INOX	
17	10328059	OR 2015 SILICONE PTFE/FDA	OR 2015 SILICONE PTFE/FDA	JOINT OR 2015 SILICONE ROUGE	O-RING 2015 SILIKON	OR 2015 SILICONE PTFE/FDA	
18	11030637	ASS.TUBO TEFLON 4X2 L.250	TUBE TEFLON 4X2 L.250	ASS. TUBE TEFLON 4X2 L.250	Teflonschlauch 4x2 kpl l=250 mm	ASS.TUBO TEFLON 4X2 L.250	
19	9181.348	"RACCORDO 1/8" CONICO A 90° OTT/7"	"TEABRASS CONNECTOR 1/8" CONICAL"	"RACCORD CONIQUE 1/8" 90"	"Raccord 90 1/8" "konisch"	"RACCORDO 1/8" CONICO A 90° OTT/7"	
20	20007361	RIC. BOBINA EVT ODE	SOLENOID EVT ODE	BOBINE ELECTROVANNE ODE	Spule EVT ODE	RIC. BOBINA EVT ODE	
21	20007362	RIC.NUCLEO EVT ODE	SPARE CORE EV ODE	NOYAU RUBIS ELECTROVANNE ODE	SPARE CORE EV ODE	RIC.NUCLEO EVT ODE	
22	11032408	ELETTROVALVOLA ODE 3 VIE 24V DC	ELECTROVALVE ODE 3 WAYS 24V DC	ELECTROVANNE ODE 3 VOIES 24V DC	Elektroventil ODE P8 24V DC	ELETTROVALVOLA ODE 3 VIE 24V DC	
23	20007363	RIC.CANNOTTO EVT ODE	SPARE EVT ODE	CANAL ELECTROVANNE ODE	SPARE EVT ODE	RIC.CANNOTTO EVT ODE	
24	20007364	RIC. EVT S/BOB. EVT 11032408	SPARE EVT 11032408	ELECTROVANE SEULE 11032408 HS1	SPARE EVT 11032408	RIC. EVT S/BOB. EVT 11032408	
25	12001052	VITE TCEI M4.0X6 UNI 5931 8.8 ZI	SCREW TCEI M4.0X6 DIN 912 ZIN	VIS TCEI M4.0X6 UNI 5931 ZIN	Thermoschraube M4x0,6 UNI5931	VITE TCEI M4.0X6 UNI 5931 8.8 ZI	
26	226830200	MOLLA FERMA 3 TERMOSTATI	RETAIN SPRING 3 THERM. + THERMAL	RESSORT THERMOSTATIQUE	Thermoschaltfeder 3 Thermos	MOLLA FERMA 3 TERMOSTATI	
27	11011454	RACCORDO A T X CALDAIA TEA	"*****" CONNECTOR FOR BOILER TEA T*****	RACCORD EN T POUR CHAUDIERE TEA	"*****" CONNECTOR FOR BOILER TEA T*****	RACCORDO A T X CALDAIA TEA	
28	9991.029	DADO X RESISTENZA	NUT FOR RESISTOR	ECCROU DE LA RESISTANCE	Sechskantmutter zur Heizschlange	DADO X RESISTENZA	
29	9991.028	RONDELLA FERMATERMOSTATI	THERMOSTAT FIXING WASHER	RONDELLE DE THERMOSTAT	Thermoschaltabschließung d=15mm	RONDELLA FERMATERMOSTATI	
30	NE09.021	TERMOSTATO 150°NC FASTON 90°	THERMOSTAT 150°NC FASTON 90°	THERMOSTAT 150	Thermostat 150°C	TERMOSTATO 150°NC FASTON 90°	
31	189428700	TERMOSTATO 175° INT-15L-5126	THERMOSTAT 175° INT-15L-5126	THERMOSTAT 175° INT-15L-5126	Thermostat Heizung Office One	TERMOSTATO 175° INT-15L-5126	
32	11000972	OR 3050 FKM 80 FD PEROXIDICA	OR 3050 FKM 80 FD PEROXIDICA	JOINT OR 3050 FKM 80 FD PEROXIDI	O-Ring 3050 PEROXID	OR 3050 FKM 80 FD PEROXIDICA	
33	11007591	RES.CALD. 230V W1400W INC.800	RES.CALD. 230V W1400W INC.800	RESISTANCE 230V 1400W INC.800	Heizung 230V 1400W/idea	RES.CALD. 230V W1400W INC.800	
34	9991.059	RACCORDO BICO CON DIR.M 1/8X08 OTT	STRAIGHT BICONE CONNECTOR M 1/8X	RACCORD DE CONNEXION BICONE M 1/8	STRAIGHT BICONE CONNECTOR M 1/8X	RACCORDO BICO CON DIR.M 1/8X08 OTT	
35	11033133	CORPO INFERIORE CALDAIA 300CC TE	LOWER CASING BOILER 300CC TEA	LOWER CASING BOILER 300CC TEA	LOWER CASING BOILER 300CC TEA	CORPO INFERIORE CALDAIA 300CC TE	
36	NM04.010	OR ORM 0730-40 FPM 70 +5 IRHD N	OR ORM 0730-40 FPM 70+5 IRHD N	JOINT DE CHAUDIERE OR ORM 0730-4	O-Ring 0730-40 Vilon 75 FDA	OR ORM 0730-40 FPM 70 +5 IRHD N	
37	10333131	CORPO SUPERIORE CALDAIA 300CC TE	UPPER CASING BOILER 300CC TEA	UPPER CASING BOILER 300CC TEA	UPPER CASING BOILER 300CC TEA	CORPO SUPERIORE CALDAIA 300CC TE	
38	NE15.031	LINGUETTA MASCHIO PIANA 6.3 D.6.	MALE TONGUE PLAIN 6.3 D.6.3	LANGUEUETTE DE TERRE 6.3 D.6.3	Zylinderstiftanschluss zu Schraube	LINGUETTA MASCHIO PIANA 6.3 D.6.	
39	U023.020	VITE TCEI M6X20 UNI 5931 8.8 ZIN	SCREW TCEI M6X20 UNI 5931 ZIN	VIS M6X20	Zylinderstift M6x20 DIN 912 verz	VITE TCEI M6X20 UNI 5931 8.8 ZIN	
40	11033134	ASS.SONDA TEMPERATURAAD IMMERSI	IMMERSION PROBE	SONDE IMMERGE	Tauchsonde/ Temp.fühler	ASS.SONDA TEMPERATURAAD IMMERSI	
41	10307779	ISOLANTE PERIMETR.CALDAIA 300CC	ISOLANT CHAUDIERE	ISOLANT CHAUDIERE	ISOLATION	ISOLANTE PERIMETR.CALDAIA 300CC	
42	10307777	ISOLANTE SUP.CALDAIA 300CC VENDI	ISOLANT CHAUDIERE	ISOLANT CHAUDIERE	ISOLATION	ISOLANTE SUP.CALDAIA 300CC VENDI	
43	9972.236	TUBO SILICONE NERO 7.5X9.3 L=200	BLACK SILICONE TUBE 7.5X9.3 L=20	DOSEUR 6-11 GR	Dosierer kplt. 6-11gr/ 230V kplt.	ASS.DOSATORE 6-11 GR.230V NEW	
44	11034030	ASS.DOSATOR 6-11 GR.230V NEW	DOSER ASS. 6-11 GR NEW	ECROU M14	Anschluss Vorheizung C600	GDRONE FEMMINA M14 X TUBO 4X2	
45	11029574	GODRONE FEMMINA M14 X TUBO 4X2	KNURLED FEMALE HAND BOLT M14	VIS AUT.TCB 4.8X13 DIN 7981 C NI	Schraube TCB 4,8x13 DIN 7981 NIK	VITE AUT.TCB 4.8X13 DIN 7981 C N	
46	U109.037	VITE AUT.TCB 4.8X13 DIN 7981 C N	screw AUT.TCB 4.8X13 DIN 7981 C	OGIVE EXTERNE D 6	Klemmhülse Vorheizung C600	BOCCOLA ESTERNA D.6 X GODRONE	
47	11005741	BOCCOLA ESTERNA D.6 X GODRONE	CONNECTOR D.6	CONNECTOR D.6	O-Ring 2018 Silikon	OR 2018 SILICONE	
48	140321462	OR 2018 SILICONE	O-RING 2018 SILICONE	JOINT 2018	O-Ring 2018 Silikon	DADO ESAGONALE M5 UNI 5588 ZNP	
49	U302.001	DADO ESAGONALE M5 UNI 5588 ZNP	nut HEXAGONAL M5 UNI 5588	ECROU M5 UNI 5588 ZNP	Mutter M5	PERNO X CALDAIA	
50	11006046	PERNO X CALDAIA	PEG FOR BOILER	PIVOT POUR CHAUDIERE	SCHRAUBSTÜTZEN BOILERHALTERUNG	PERNO X CALDAIA	
51	11006370	PERNO X MANICOTTO	PIN FOR MUFF	PIPETTE DE CHAUDIERE	Ventilzapfen C600	PERNO X MANICOTTO	
52	U044.013	VITE TSPC M4.0X12 UNI 7688 ZNP	screw TSPC M4.0X12 UNI 7688 GALV	VIS M4.0X12 UNI 7688 GALV	Senkschraube M4x12 DIN 965 verz.	VITE TSPC M4.0X12 UNI 7688 ZNP	
53	11013173	OR ORM 0090-20 FKM 80 FD VERDE P	OR ORM 0090-20 FKM 80 FD GREEN P	JOINTS ORM 0090-20 FKM 80 FD VER	O-Ring 0090-20 FKM 80 FD grün V	OR ORM 0090-20 FKM 80 FD VERDE P	
54	11013174	OR ORM 0050-20 FKM 80 FD VERDE P	OR ORM 0050-20 FKM 80 FD VER	JOINTS ORM 0050-20 FKM 80 FD VER	O-Ring 0050-20 FKM 80 FD grün V	OR ORM 0050-20 FKM 80 FD VERDE P	
55	U302.003	DADO ESAGONALE M4 UNI 5589 ZN	GALV NUT HEXAGONAL M4 UNI 5589 ZN	ECROU HEXAGONAL M4 UNI 5589 ZN	Mutter M4 UNI 5589 ZN	DADO ESAGONALE M4 UNI 5589 ZN	
56	110335527	ASS.CALD.300CC EVO 1EV+SOLOB.230	BOILER 300CC EVO 1EV+SOLOBLES 23	BLOC CHAUDIERE COMPLETE C400 EVO2	Boiler kplt. 300CC EVO 1EV+SOLOB.230	ASS.CALD.300CC EVO 1EV+SOLOB.230	
57	U043.007	VITE TCB M3.0X8 UNI 7687 ZNP	screw TCB M3.0X8 UNI 7687 GALV.	VIS TCBM3X8UNI 7687 ZNP	Linsen-schraube M3x8 DIN 7985 verz	VITE TCB M3.0X8 UNI 7687 ZNP	
58	1813.103	ROSETTA DENT. 3.3X5.8 UNI 3703 Z	TOOTHED WASHER 3.3X5.8 UNI 3703	RONDELLE DENT. 3.3X5.8	FEDERRING 3,3x5,8	ROSETTA DENT. 3.3X5.8 UNI 3703 Z	
59	U120.420	GHIERA DI REGOLAZIONE MACINE	RING NUT OF GRIND REGULATION	BAGUE DE REGLAGE	Einstellring Mahlggrad SG200	GHIERA DI REGOLAZIONE MACINE	
60	12001617	OR 3206 NBR	"UPPER GRINDING DISK HOLDER ""GRIN"	PORTE MEULE SUPERIEURE	O-Ring 3206 NBR	"PORTA MACINA SUPERIORE ""MACINE 4"	
61	11021838	MACINA PIANA D.48	FLAT MILL D.48 TEA	MEULE D.48 TEA	FLAT MILL D.48 TEA	MACINA PIANA D.48 TEA	
62	11025695	"VITE DI INCREMENTO ""MACINE 48""	"INCREASE SCREW ""GRIND 48""	VIS D'ENTRAINEMENT	"INCREASE SCREW ""GRIND 48""	"VITE DI INCREMENTO ""MACINE 48""	
63	11027418	SPESSORE X VITE DI INCREMENTO	SPACER FOR SCREW OF INCREASE	ENTRETOISE POUR VIS DE INCREMENT	SPACER FOR SCREW OF INCREASE	"VITE DI INCREMENTO ""MACINE 48""	
64	11025694	"MOLLA ""MACINE 48""	"SPRING ""GRIND 48""	"RESSORT ""MACINE 48""	"SPRING ""GRIND 48""	"MOLLA ""MACINE 48""	
65	11025691	"PORTA MACINA INFERIORE ""MACINE 4"	"LOWER GRINDING DISK HOLDER ""GRIN"	"PORTE MEULE INFERIEURE ""MACINE 4"	"LOWER GRINDING DISK HOLDER ""GRIN"	"PORTA MACINA INFERIORE ""MACINE 4"	
66	11027419	ANELLO DE=47.4 DI=41.4H=4 IN FEL	FELT RING DE=47.4 DI=41.4H=4	FELT RING DE=47.4 DI=41.4H=4	FELT RING DE=47.4 DI=41.4H=4	ANELLO DE=47.4 DI=41.4H=4 IN FEL	
67	U116.006	VITE AUT.PT TCB 3.5X12 WN 1441 Z	SCREW AUT.PT TCB 3.5X12 WN 1441	VIS AUT.PT TCB 3.5X12 WN 1441	Linsen-Schraube 3,5x12 WN1441 ZNP	VITE AUT.PT TCB 3.5X12 WN 1441 Z	
68	11025699	CUSCINETTO ASSIALE A SFERE RTP 5	BEARING RTP 5/1104	TAMPON AXIAL RTP 5/1104	BEARING RTP 5/1104	CUSCINETTO ASSIALE A SFERE RTP 5	




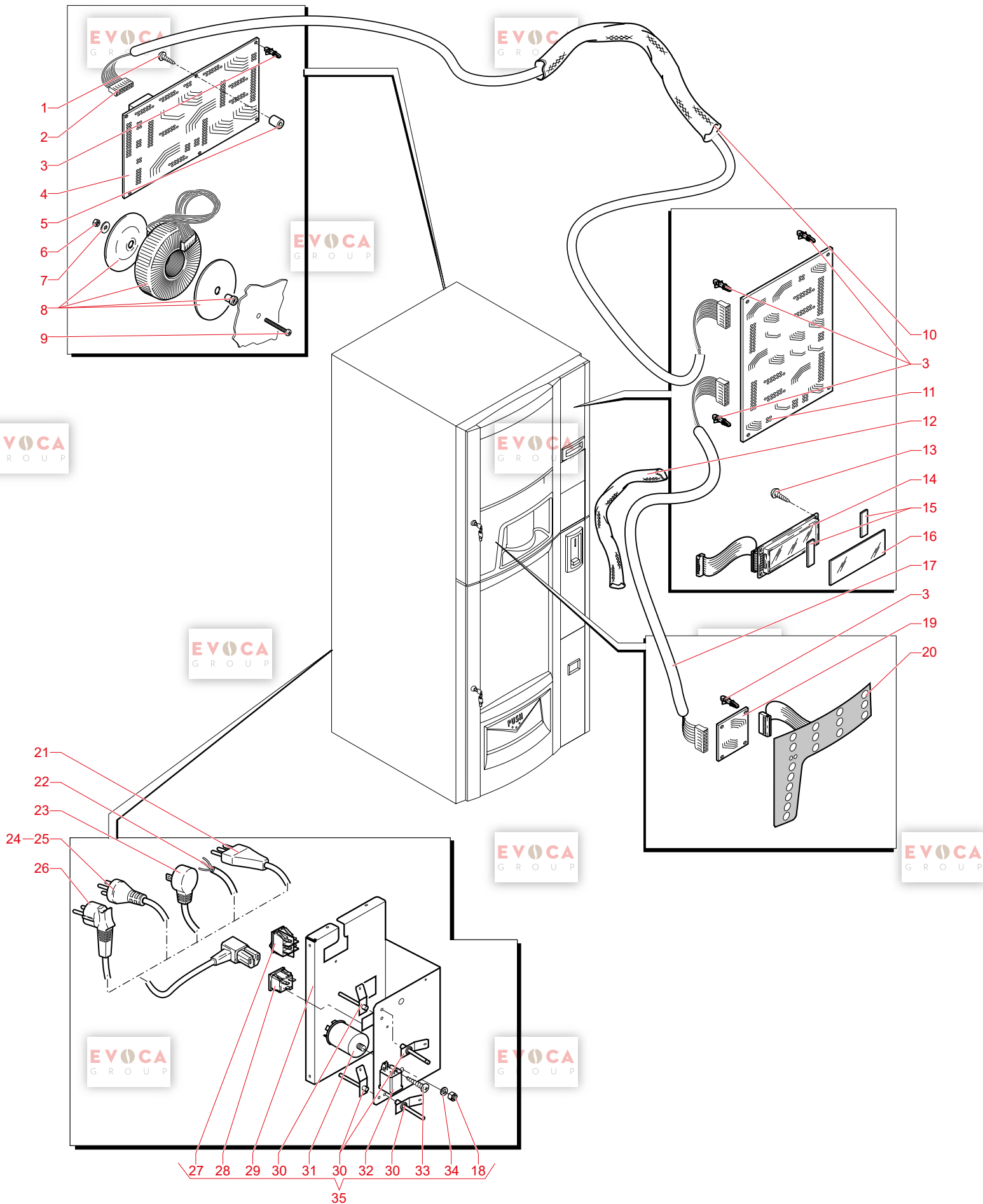
N.POSI	COD	I - DESCRIZIONE	UK - DESCRIPTION	F - DESCRIPTION	D - BEZEICHNUNG	E - DESCRIPCION	NOTE
70	12002039	VITE TCBD M4X12 ZN-B	SCREW TCBD TORX 20 M4X12 ZN-B	VIS TCBD M4X12 ZN-B	Schraube 3,5x48x28 TORX	VITE TCBD M4X12 ZN-B	
71	11025696	CUSCINETTO RADIALE A SFERE RTP 6	BEARING RTP 608-2Z	TAMPON RADIAL A SFERE RTP 608-2Z	BEARING RTP 608-2Z	CUSCINETTO RADIALE A SFERE RTP 6	
72	11023004	VITE TCEI M6,0X12 UNI 5931 ZIN	screw TCEI M6,0X12 UNI 5931 GALV	VITE TCEI M6,0X12 UNI 5931 ZIN	Schraube M6X12 UNI 5931 GALV	VITE TCEI M6,0X12 UNI 5931 ZIN	
73	U207.004	ROSETTA PIANA 4,3X16 UNI 6592 ZN	PLAIN WASHER 4,3X16 UNI 6592 GAL	RONDELL 4,3*16 UNI6592ZNP	Unterlegscheibe 4,3X16 UNI 5931	ROSETTA PIANA 4,3X16 UNI 6592 ZN	
74	128310404	ROSETTA UNI 8842 A4 BRUNITA	WASHER UNI 8842 A4 BURNRISHED	RONDELLE UNI 8842 A4	Facherschleibe A4, 3 DIN 6798 verz	ROSETTA UNI 8842 A4 BRUNITA	
75	12002052	VITE TCB M4X16 ZN-B	ZN-B TCB SCREW M4X16	VIS TCB M4X16 UNI7687ZNP	VITE TCB M4X16 ZN-B	VITE TCB M4X16 ZN-B	
76	1813.046.050	GOMMINO SUPPORTO MACININO	RUBBER GRIND SUPPORT	GOMME SUPPORT MEULE	Distanzgummi zu Mahlwerk	GOMMINO SUPPORTO MACININO	
77	11027162	CALOTTA MACINE D.48	GRINDERS CAP D.48	CALOTTE MOULIN D.48	GRINDERS CAP D.48	CALOTTA MACINE D.48	
78	U701.011	ANELLO ELASTICO 5 UNI 7434 ACC.	STEEL SNAP RING 5 UNI 7434	ANNEAU	Sicherungsring ø5 elastisch	ANELLO ELASTICO 5 UNI 7434 ACC.	
79	11027163	RAGNO SUPPORTO MOTORE MACINE D.4	MOTOR SUPPORT GRINDERS D.48	MOTEUR SUPPORT MOULIN CAFE	MOTOR SUPPORT GRINDERS D.48	RAGNO SUPPORTO MOTORE MACINE D.4	
80	11025690	"PULLEGIA D.15 ""MACINE 48""	"PULLEY D.15 ""GRIND 48""	"POULIE D.15 ""MACINE 48""	"PULLEY D.15 ""GRIND 48""	"PULLEGIA D.15 ""MACINE 48""	
81	11027396	MOTORE MACINACAFFE' D.48 230V	COFFEEGRINDER MOTOR D.48 230V	MOTEUR MOULIN D.48 230V	COFFEEGRINDER MOTOR D.48 230V	MOTORE MACINACAFFE' D.48 230V	
82	11025689	"PULLEGIA D.40 ""MACINE 48""	"PULLEY D.40 ""GRIND 48""	"POULIE D.40 ""MACINE 48""	"PULLEY D.40 ""GRIND 48""	"PULLEGIA D.40 ""MACINE 48""	
83	20007420	SPAZZOLA MOTORE MACINACAFFE' NEW	MOTOR BRUSH	BROCHE DE MOTEUR	Kohle Motorwerkmotor	SPAZZOLA MOTORE MACINACAFFE' NEW	
84	11032130	CINGHIA MULTITRAPEZOIDALE ELASTI	BELT GRINDER COFFEE	COURROIE MULTITRAPEZOIDALE	BELT GRINDER COFFEE	CINGHIA MULTITRAPEZOIDALE ELASTI	
85	U310.004	DADO AUTOBLOC.M6 UNI 7473 ZNP	nut SELF LOCK.M6 UNI 7473	ECROU AUTOBLOC.M6. UNI 7473 ZNP	Sechskantmutter M6 DIN 985 verz.	DADO AUTOBLOC.M6 UNI 7473 ZNP	
86	U208.006	ROSETTA DENT. 6,4X11 UNI 3703 BR	TOOTHED WASHER 6,4X11 UNI 3703	RONDELLE 6,4X11	Zahnscheibe ø6 4x11	ROSETTA DENT. 6,4X11 UNI 3703 BR	
87	11027184	GUSCIO SUPPORTO MOTORE MACINE D.	MOTOR SUPPORT GRINDERS D.48	COQUE SUPPORT MOTEUR	MOTOR SUPPORT GRINDERS D.48	GUSCIO SUPPORTO MOTORE MACINE D.	
88	11025921	SPINA C/INTAGLI CENT. UNI-EN 2874	POWER PLUG UNI-EN 28743 D.3X14	RIVET UNI-EN 28743 D.3X14	POWER PLUG UNI-EN 28743 D.3X14	SPINA C/INTAGLI CENT. UNI-EN 2874	
89	140321662	OR 2021 SILICONE	O-RING 2021 SILICONE	JOINT OR 2021	O-Ring 2021 Silicon	OR 2021 SILICONE	
90	11025693	"PERNO CENTRALE ""MACINE 48""	"CENTRAL PIN ""GRIND 48""	PIVOT CENTRAL	"CENTRAL PIN ""GRIND 48""	"PERNO CENTRALE ""MACINE 48""	
91	1813.159	GOMMINO ANTIVIBRAZIONE	ANTIVIBRATION RUBBER	SILENT BLOC	Schwingungsdämpfer aus Gummi	GOMMINO ANTIVIBRAZIONE	
92	11027186	GUSCIO CHIUSURA CINGHIA	SHELL CLOSURE BELT	FERMETURE BANDE	SHELL CLOSURE BELT	GUSCIO CHIUSURA CINGHIA	
93	U127.010	VITE TAPT.TCB M4,0X10 DIN 7500C	screw TAPT.TCB M4,0X10 DIN 7500C	VIS TAPT.TCB M4,0X10 DIN 7500C	Schraube selbsts. M4X10 DIN 7500	VITE TAPT.TCB M4,0X10 DIN 7500C	
94	1813.104.A20	VITE REGOLAZIONE MACININO	ADJUSTMENT SCREW WITH TUBE HOLDE	VIS DE REGLAGE	Gehäuse zu Dosierer	VITE REGOLAZIONE MACININO	
95	11027165	ASS.MACINACAFFE' D. 48	COFFEE GRINDER D.48	ASS. MOULIN A CAFE D.48	Gewindestift zu Mahlwerk kpl.	ASS.MACINACAFFE' D. 48	
96	U046.005	VITE TE M5,0X10 C/RONDELLA	screw TE M5,0X10 WITH WASHER	VIS TE M5X10	Schraube M 5x10 mit Unterlagsche	VITE TE M5,0X10 C/RONDELLA	
97	1813.042.A20	PALETTA DOSATORE	DISPENSER PALLET	PALETTE DOSEUR	Kleppe zu Dosierer	PALETTA DOSATORE	
98	12002151	VITE TSP M3X4 UNI 7688 INOX	TSP SCREW M3X4 UNI 7688 SS	VIS TSP M3X4 UNI 7688	Senkschraube M3x4 DIN 965 INOX	VITE TSP M3X4 UNI 7688 INOX	
99	11033266	GUSCIO INTERNO DOSATORE	DISPENSER SHELL	CARTER DE DOSEUR	Gehäuse zu Dosierer	GUSCIO INTERNO DOSATORE	
100	9121.235.00A	ELETTROM. PER DOSATORE CON NUCLE	ELECTROMAGNET FOR DISPENSER WITH	ELECTROAIMANT DOSEUR CAFE SG200	Elektromagnet Dosierer 230V mit	ELETTROM. PER DOSATORE CON NUCLE	
101	1813.127	MOLLA X ELETTROMAGNETE DOSATORE	SPRING FOR ELECTROMAGNET	RESSORT ELECTROAIMANT	Feder zu Elektromagnet Dosierer	MOLLA X ELETTROMAGNETE DOSATORE	
102	1813.092	PERNO ELETTROMAGNETE	PIN	AXE ELECTROAIMANT	Bolzen zu Elektromagnet	PERNO ELETTROMAGNETE	
103	NE15.003	LINGUETTA MASCHIO PIANA 6,3 D.5,2	MALE TONGUE PLAIN 6,3 D.5,2	LANGUETTE 6,3 D.5,2	Schutzleiteranschluss zu Schraube	LINGUETTA MASCHIO PIANA 6,3 D.5,	
104	1813.091	PERNO X REGOLATORE DOSATORE	PIN FOR DISPENSER REGULATION	AXE REGULTEUR	Bolzen zu Dosiereinstellung	PERNO X REGOLATORE DOSATORE	
105	NE05.062	MICROINTERRUTTORE C/ROTELLA	MICROSWITCH + WHEEL	MICROCONTACT	Mikroschalter zu Schwimmer	MICROINTERRUTTORE C/ROTELLA	
106	U116.004	VITE AUT.PT.TCB.3,0X16 WN 1441 Z	screw AUT.PT.TCB.3,0X16 WN 1441	VIS TCB 3X16	Spax-Schraube 3x16 DIN 7981 verz	VITE AUT.PT.TCB.3,0X16 WN 1441 Z	
107	1813.078.A20	LEVA REGOLAZIONE	ADJUSTMENT LEVER	LEVIER D'AJUSTEMENT	LEVA REGOLAZIONE	LEVA REGOLAZIONE	
108	1813.043.A20	REGOLATORE DOSATORE	DISPENSER REGULATION	DOSEUR	Einstellvorrichtung zu Dosierer	REGOLATORE DOSATORE	
109	1813.044.A20	PALETTA X REGOLATORE	PALLET FOR REGULATION	PLAQUE	Trichter zu Einstellvorrichtung	PALETTA X REGOLATORE	
110	11033265	GUSCIO ESTERNO DOSATORE	OUTSIDE SHELL DISPENSER	CARTER EXTERIEUR DE DOSEUR	Gehäuse zu Dosierer extern	GUSCIO ESTERNO DOSATORE	
111	12000390	VITE AUT.TCB.2,9X25 DIN 7981 C N	SCREW AUT.TCB.2,9X25 DIN 7981 C	VIS TCB3,9X25 DIN7981C NIK	Schraube 2,9X25 DIN7981 NIK	VITE AUT.TCB.2,9X25 DIN 7981 C N	
112	1813.191.A20	COPERTURA DOSATORE	DISPENSER COVER	COUVERCLE DOSEUR	Abdeckung zu Dosierer	COPERTURA DOSATORE	
113	11035044	ASS.MACINACAFFE' D.48+DOSAT.230V	COFFEE GRINDER D.48 + DISPENSER	COFFEE GRINDER D.48 + DISPENSER	COFFEE GRINDER D.48 + DISPENSER	ASS.MACINACAFFE' D.48+DOSAT.230V	



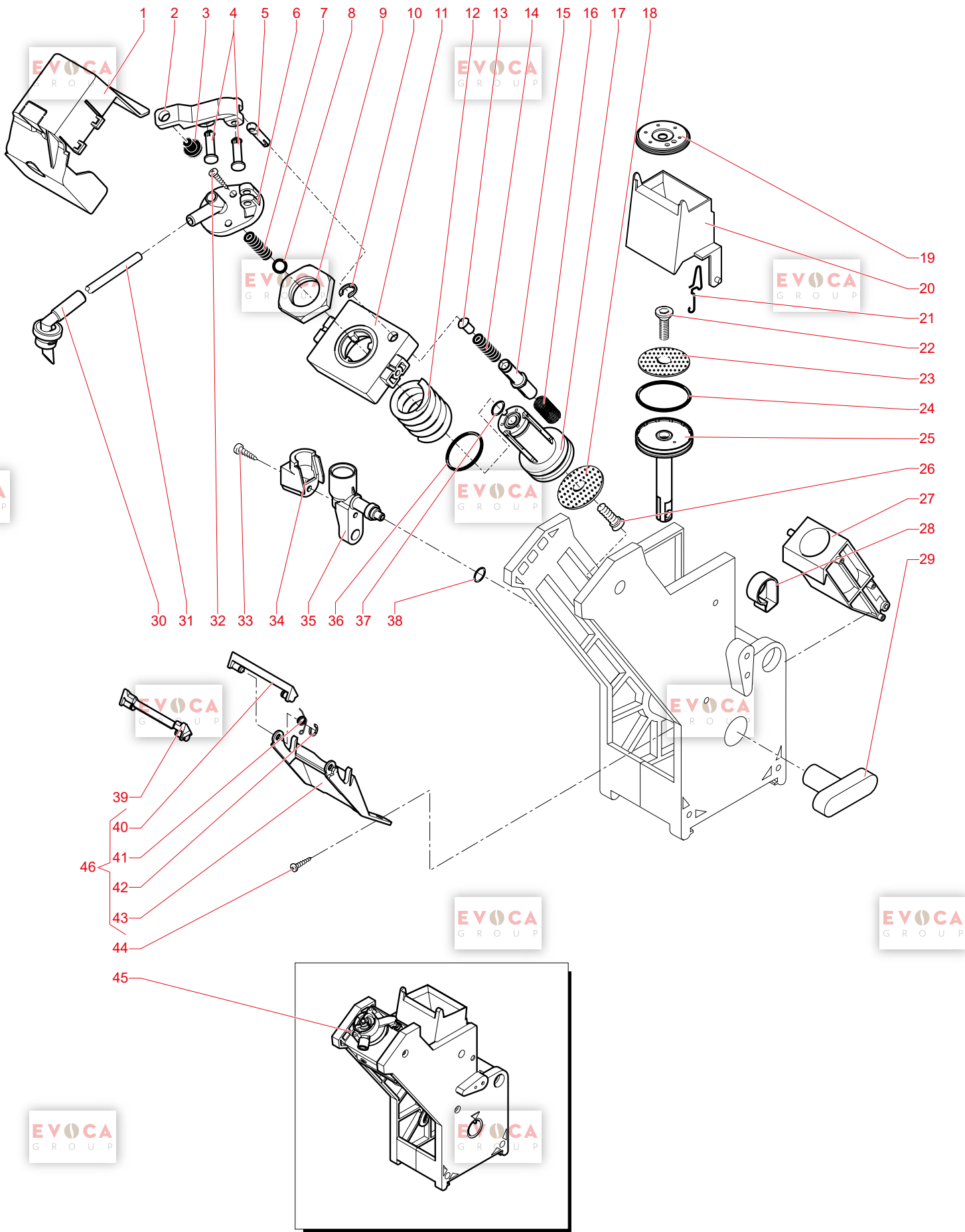
N.POSI	COD	I - DESCRIZIONE	UK - DESCRIPTION	F - DESCRIPTION	D - BEZEICHNUNG	E - DESCRIPCION	NOTE
1	11005156	AGGANCIO X SPORT.CONTENTITORE BIC	DOOR HOOKUP CONTAINER CUP	CLIPS PORTILLON GOBELETS COMBI	DOOR HOOKUP CONTAINER CUP	AGGANCIO X SPORT.CONTENTITORE BIC	
2	NF11.026	RIVETTO AD ESPANSIONE D.3,9X8 AL	EXPANSION RIVET D.3.9X8 ALU.	RIVET D'EXPANSION D.3.9X8 ALU.	Niete d=3,9 mm x 8	RIVETTO AD ESPANSIONE D.3,9X8 AL	
3	0875.240	SGANCIA GUIDA BICCHIERI	CUP GUIDE RELEASE	SORTIE GUIDE TASSE	Akkuplung Becherführung	SGANCIA GUIDA BICCHIERI	
4	U109.013	VITE TCB 3,5X13 UNI 6954 NIK	SCREW TCB 3,5X13 UNI 6954 NIK	VIS AUT.TCB 3,5X13 DIN 7981 C	Linsen-Blechschr. 3,5x13 DIN 798	VITE TCB 3,5X13 UNI 6954 NIK	
5	0875.092	PROTEZIONE ANTERIORE	FRONT PROTECTION	PROTECTION SUPERIEUR	Schutzabdeckung vorne	PROTEZIONE ANTERIORE	
6	0875.094	CERNIERA	HINGE	CORNIERE	Scharnier	CERNIERA	
7	0875.091	PROTEZIONE INFERIORE	LOWER PROTECTION	PROTECTION INFERIEUR	Schutzabdeckung unten	PROTEZIONE INFERIORE	
8	U110.004	VITE AUT.TCB 3,5X6,5 DIN 7981 F	screw AUT.TCB 3,5X6,5 DIN 7981 F	VIS AUT.TCB 3,5X6,5 DIN 7981 F	Schraube 3,5X6,5 DIN7981F	VITE AUT.TCB 3,5X6,5 DIN 7981 F	
9	0875.238	DISTANZIALE BICCHIERI	CUP SPACER	ENTRETOISE	Abstandhalter zu Becher	DISTANZIALE BICCHIERI	
10	U701.011	ANELLO ELASTICO 5 UNI 7434 ACC.	STEEL SNAP RING 5 UNI 7434	ANNEAU	Sticherungsring ø5 elastisch	ANELLO ELASTICO 5 UNI 7434 ACC.	
11	0875.096	BOCCOLA X ASTA GUIDA BICCH.	BUSH FOR LOCK CUP GUIDE	CACHE	Hülse zu Becherführung	BOCCOLA X ASTA GUIDA BICCH.	
12	0875.096	SUPPORTO GUIDA BICCHIERI	CUP GUIDE SUPPORT	SUPPORT GUIDE	Supporto zu Becherführung	SUPPORTO GUIDA BICCHIERI	
13	148601300	STRINGIFILO 151-28469	WIRE CLAMP	ATTACHE DE FIL	Befestigungsplättchen selbstkleb	STRINGIFILO 151-28469	
14	0875.099	ASTA X GUIDA	ROD FOR STIRRER GUIDE	AXE	Stift zu Becherführung	ASTA X GUIDA	
15	0875.118	MOLLA X GUIDA BICCHIERI	SPRING FOR CUP GUIDE	RESSORT GUIDE GOBELET	Feder zu Becherführung	MOLLA X GUIDA BICCHIERI	
16	0875.090	CONTENITORE BICCHIERI	CUP CONTAINER	CONTAINER GOBELET	Becherbehälter	CONTENITORE BICCHIERI	
17	U109.037	VITE AUT.TCB 4,8X13 DIN 7981 C N	screw AUT.TCB 4,8X13 DIN 7981 C	VIS AUT.TCB 4,8X13 DIN 7981 C NI	Schraube TCB 4,8x13 DIN 7981 NIK	VITE AUT.TCB 4,8X13 DIN 7981 C N	
18	0875.269	SQUADRETTA POSIZIONAM GUIDA PALE	POSIT. SQUARE GUIDE PANS	CORNIERE	Halterung zu Rührstäbchenführung	SQUADRETTA POSIZIONAM GUIDA PALE	
19	12824002	VITE TCB M4X10 UNI 7687 ZNP	TCB SCREW M4X10 UNI 7687 ZNP	VIS TCB M4X10 UNI 7687	Schraube M4x10	VITE TCB M4X10 UNI 7687 ZNP	
20	128370404	ROSETTA UNI 8842 A4 BRUNITA	WASHER UNI 8842 A4 BURNTISHED	RONDELLE UNI 8842 A4	Fächerschelbe A4, 3 DIN 6798 verz	ROSETTA UNI 8842 A4 BRUNITA	
21	NV01.001	PIEDINO ADESSIVO	ADHESIVE FOOT	PIED ADHESIF	Gerätefuß sz. selbstklebend	PIEDINO ADESSIVO	
22	0875.093	GUIDA BICCHIERI	CUP GUIDE	GUIDE GOBELET	CUP GUIDE	GUIDA BICCHIERI	
23	1001.034	MAGNETE D.12 X 14	MAGNET D.12 X 14	AIMANT	Magnet d=12mm, l=14mm	MAGNETE D.12 X 14	
24	0875.350	STAFFA DX CONT.BICCHIERI	RIGHT BRACKET CUP CONTAINER	ETRIER DROIT	Halterung rechts zu Becherbehält	STAFFA DX CONT.BICCHIERI	
25	U302.003	DADO ESAGONALE M4 UNI 5589 ZN	GALVNUOT HEXAGONAL M4 UNI 5589 Z	ECROU HEXAGONAL M4 UNI 5589 ZN	Mutter M4 UNI 5589 ZN	DADO ESAGONALE M4 UNI 5589 ZN	
26	0862.024	STAFFA SX CONT.BICCHIERI	LEFT BRACKET CUP CONTAINER	ETRIER GAUCHE	Halterung links zu Becherbehälte	STAFFA SX CONT.BICCHIERI	
27	U109.044	ASS.CONTENTITORE BICCHIERI	CUP CONTAINER ASS.	ENSEMBLE CONTAINER GOBELET	Becherbehälter kpl. Combi Snack	ASS.CONTENTITORE BICCHIERI	
28	U109.039	VITE AUT.TCB 3,5X44 DIN 7981 C N	screw AUT.TCB 3,5X44 DIN 7981 C	VIS AUT.TCB 3,5X44 DIN 7981 C	Linsen-Blechschr. 3,5x44 DIN 798	VITE AUT.TCB 3,5X44 DIN 7981 C N	
29	0875.223	CARTER PROTEZIONE DISTRIB.BICCHI	CUP DISTR.PROTECTIVE CASING	CARTER DE PROTECTION	Schutzabdeckung Becherspender	CARTER PROTEZIONE DISTRIB.BICCHI	
30	9111.259	TAPPO COLONNA	COLUMN CAP	CAPOT COLONNE	Abdeckung Becherschacht	TAPPO COLONNA	
31	0875.101	COLONNA BICCHIERI	CUP COLUMN	COLONNE GOBELET	Becheraufnahme	COLONNA BICCHIERI	
32	9111.257	CORONA ROTAZIONE COLONNA	COLUMN ROTATION CROWN	COURONNE DE ROTATION	Kranz Rotation Becherrohr P8 / C	CORONA ROTAZIONE COLONNA	
33	U110.012	VITE TC WN1412 /BN13577 ZINC BIA	SCREW TC WN1412 /BN13577 ZINC BI	VIS TC WN1412 /BN13577 ZINC BIA	SCREW TC WN1412 /BN13577 ZINC BI	VITE TC WN1412 /BN13577 ZINC BIA	
34	9111.322	PIGNONE ROTAZ. COLONNA	COLUMN ROTATION PINION	PIGNON ROTATION COLONNE	Zahnrad Rotation Becherrohr	PIGNONE ROTAZ. COLONNA	
35	NE05.002	MICROINTERRUTTORE	MICROSWITCH	MICRO MOTEUR REDUC.DA8P	Microschalter	MICROINTERRUTTORE	
36	9111.256	CARTER SUP.DISTR.BICCHIERI	UPPER CASING CUP DISTR.	CARTER SUP.DISTRIB.GOBELETS	Gehäuseoberteil	CARTER SUP.DISTR.BICCHIERI	
37	9111.261	PIGNONE SGANCIO BICCHIERI	CUP RELEASE PINION	ENGRENAGE GOBELETTEUSE DA8P	Zahnrad Becherabgabe P8	PIGNONE SGANCIO BICCHIERI	
38	NE05.056	MICROINTERRUTTORE SGANCIO BICCHI	MICROSWITCH CUP RELEASE	MICROCONTACT	Microschalter	MICROINTERRUTTORE SGANCIO BICCHI	
39	9121.152.00P	MOTORIDUTTORE ROTAZ. COLONNA	COLUMN ROTATION RATIONMOTOR	MOTEUR ROTATION COLONNE	Motor Becherrotel P8	MOTORIDUTTORE ROTAZ. COLONNA	
40	U110.002	VITE AUT.TCB 3,5X13 DIN 7981 F Z	screw AUT.TCB 3,5X13 DIN 7981 F	VIS TCB 3,5X13	Linsen-Blechschr. 3,5x13 DIN 798	VITE AUT.TCB 3,5X13 DIN 7981 F Z	
41	9121.154.00P	MOTORIDUT. SGANCIO BICCH.COMBI D	CUP RELEASE RATIONMOTOR COMBI	MOTOREDUCTEUR COMBI DC	Motor Becherabgabe 24V 50Hz DC	MOTORIDUT. SGANCIO BICCH.COMBI D	
42	9121.155	CUFFIA X MOTORIDUTTORE	HOOD FOR RATIONMOTOR	CAPOT POUR MOTOREDUCTEUR	Abdeckung Getriebemotor	CUFFIA X MOTORIDUTTORE	
43	9111.298	PIASTRINA MICRO BICCHIERI	CUP/MICRO PLATE	ENTRETOISE	Montageplättchen Microschalter	PIASTRINA MICRO BICCHIERI	
44	9111.297	PERNO LEVA MICRO BICCHIERI	CUP MICRO LEVER PIN	AXE DE LEVIER MICRO	Stift F ahne Microschalter	PERNO LEVA MICRO BICCHIERI	
45	9111.262	LEVA MICRO PRES.BICCHIERI	MICRO LEVER CUP PRESENCE	LEVIER MICRO PRES.GOBELETS	Hebel Microschalter Becher P8	LEVA MICRO PRES.BICCHIERI	
46	NE05.054	MICROINTERRUTTORE CROUZET F83161	MICROSWITCH CROUZET F83161.9	MICROCONTACT	Microschalter Abschaltung Armbew	MICROINTERRUTTORE CROUZET F83161	
47	9111.749	SATELLITE DIAMETRO 29,6 MM	PLANETARY GEAR	GALET GOBELETTEUSE D=29,6MM	Exzentrenwelle d=29,6	SATELLITE DIAMETRO 29,6 MM	
48	9111.258	CORONA SGANCIO BICCHIERI	CUP RELEASE CROWN	PIGNON GOBELETTEUSE	Zahnkranz Becherspender	CORONA SGANCIO BICCHIERI	
49	9111.255	CARTER INF.DISTR.BICCHIERI	LOWER CASING CUP DISTR.	CARTER INFERIEUR GOBELETTEUSE DA8	Gehäuseunterteil	CARTER INF.DISTR.BICCHIERI	
50	NF11.002	FASCETTA AUTOBLOC.W=2,5 L=98 BIA	SELF LOCK STRIP W=2,5 L=98	ATTACHE	Kabelbinder RTA Art. 5203	FASCETTA AUTOBLOC.W=2,5 L=98 BIA	
51	110332005	ASS.DISTR.BICCHIERI D70	CUP DISTRIBUTOR D70	DISTRIBUTEUR GOBELET D70	Becherspender kpl.D70	ASS.DISTR.BICCHIERI D70	
52	9110.153.00P	ASS.CONT.BICCH.+DISTR.BICCH.COMBI	ASS.CONTAINER GLASSES+DISPENSER	ENSEMBLE COMPLET DISTRIBUTEUR GO	BECHERSPENDER/BEHÄLTHER KPLT. D=	ASS.CONT.BICCH.+DISTR.BICCH.COMBI	





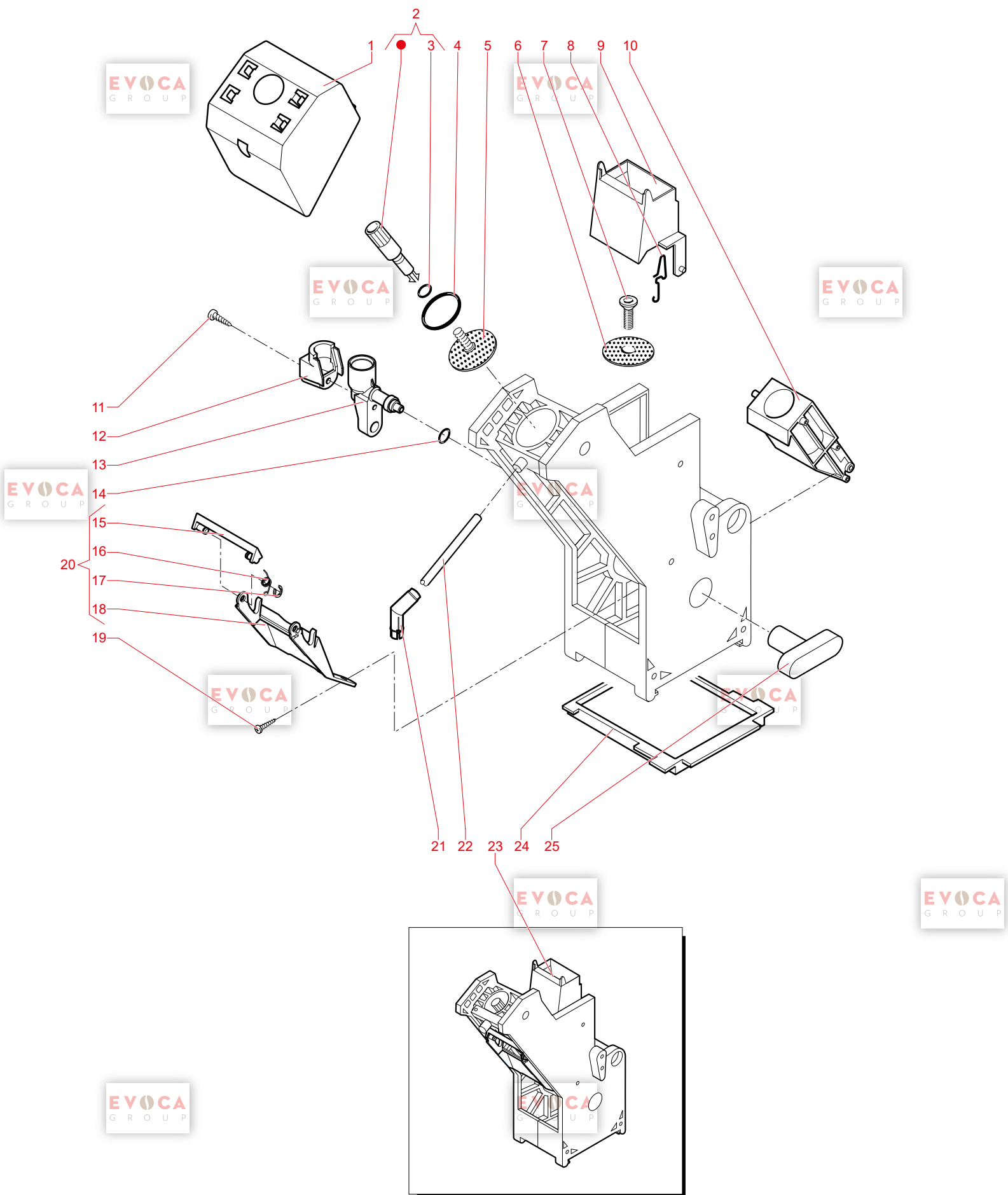
N.POSI	COD	I - DESCRIZIONE	UK - DESCRIPTION	F - DESCRIPTION	D - BEZEICHNUNG	E - DESCRIPCION	NOTE
1	U310.004	DADO AUTOBLOC.M6 UNI 7473 ZNP	nut SELF LOCK.M6 UNI 7473	ECROU AUTOBLOC.M6. UNI 7473 ZNP	Sechskantmutter M6 DIN 985 verz.	DADO AUTOBLOC.M6 UNI 7473 ZNP	 90 MM 105 MM
2	0875.123	BOCCOLA ROTAZ. GUIDA PALETTE	STIRRER GUIDE ROTATION BUSH	BAGUE ROTATION	Hülse zu Rührstäbchenspender		
3	0875.105	PIASTRA SUPP.DISTRIB.PALETTE	SUPPORT PLATE STIRRER DISTRIBUTO	PLAQUE SUPPORT DISTRIB.PALETTE	Support zu Rührstäbchenspender		
4	9991.196	DISTAZIALE X GUIDE	SPACER FOR GUIDE	ENTRETOISE	Abstandhalter zu Becherführung		
5	0875.114	MOLLA DI BLOCCAGGIO GUIDA PALETT	STIRRER GUIDE RETAINING SPRING	RESSORT DE BLOCCAGE GUID PALETTE	MOLLA DI BLOCCAGGIO GUIDA PALETT		
6	129516803	VITE TCB 3.5X19 DIN 7981 NIK	SCREW TCBS:3.5X19 DIN 7981 NICK	VIS 3.5*19 DIN 7981	Linsen-Blechs. 3.5x19 DIN 7981 N	VITE TCB 3.5X19 DIN 7981 NIK	
7	U110.003	VITE AUT.TCB 3.5X9.5 DIN 7981 F	screw AUT.TCB 3.5X9.5 DIN 7981 F	VIS AUT.TCB 3.5X9.5 DIN 7981 F N	Linsen-Blechschr. 3.5x9.5 DIN 79	VITE AUT.TCB 3.5X9.5 DIN 7981 F	
8	0875.108	ESPULOSORE PALETTE	STIRRER EXPPELLER	EJECTEUR PALETTE	Rührstäbchenauswerfer	ESPULOSORE PALETTE	
9	0875.115	PERNO X BILANCERE PALETTE L.105	PIN FOR STIRRER COMPENSATOR	AXE BALANCIER L.105	Boizen zu Schwinghebel Rührst. 10	PERNO X BILANCERE PALETTE L.105	
10	0875.283	PERNO X BILANCERE PALETTE L.105	PIN FOR STIRRER COMPENSATOR	AXE BALANCIER L.105	Boizen zu Schwinghebel Rührst. 10	PERNO X BILANCERE PALETTE L.105	
11	U701.006	ANELLO ELASTICO 3.2 UNI 7434	SNAP RING 3.2 UNI 7434	ANNEAU ELASTIQUE	Sicherungsring ø3.2 elastisch	ANELLO ELASTICO 3.2 UNI 7434	
12	U111.305	PATINO PALETTE SX	STIRRER SLIDING BLOCK LEFT	PATIN PALETTE GAUCHE	Gleitstück links	PATINO PALETTE SX	
13	U207.003	ROSETTA PIANA 3.2X7 UNI 6592 ZNP	PLAIN WASHER 3.2X7 UNI 6592 GALV	RONDELLE 3.2X7 UNI 6592 ZNP	Schleibe A3.2 DIN 125 verz.	ROSETTA PIANA 3.2X7 UNI 6592 ZNP	
14	U110.011	VITE AUT.TCB 2.9X9.5 DIN 7981 F	screw AUT.TCB 2.9X9.5 DIN 7981 F	VIS AUT.TCB 2.9X9.5 DIN 7981 F	Linsen-Blechschr. 2.9x9.5 DIN 798	VITE AUT.TCB 2.9X9.5 DIN 7981 F	
15	0875.104	GUIDA PALETTE L.105	STIRRER GUIDE	GUIDE PALETTE L.105	Rührstäbchenführung	GUIDA PALETTE L.105	
16	0875.225	VITE TCB M4X16 ZN-B	ZN-B TCB SCREW M4X16	VIS TCB M4X16 UNI 7687ZNP	Rührstäbchenführung. 105mm	VITE TCB M4X16 ZN-B	
17	12002052	VITE TCB 2.9X6.4 DIN 7981 BZ NIK	SCREW TCB 2.9X6.4 DIN 7981 BZ NI	VIS TCB 2.9X6.4 UNI 7981 BZ NICK	Blechschrabe 2.9x6.4 NI	VITE TCB 2.9X6.4 DIN 7981 BZ NIK	
18	129511903	PIASTRINO X SPORTELO ZUCCHERO	PLATE FOR SUGAR DOOR	PLAQUETTE OUVERTURE SUCRE	Plättchen zu Zuckerschacht	PIASTRINO X SPORTELO ZUCCHERO	
19	0875.109	BILANCERE PALETTE	STIRRER COMPENSATOR	LEVIER MOBILE PALETTE 105	BILANCERE PALETTE	BILANCERE PALETTE	
20	0875.106	BILANCERE PALETTE L.105	STIRRER COMPENSATOR	LEVIER MOBILE PALETTE 105	BILANCERE PALETTE L.105	BILANCERE PALETTE L.105	
21	0875.282	MOLLA X BILANCERE PALETTE	SPRING FOR SLIDING PLATE	RESSORT	Feder zu Schiebepfählen	MOLLA X BILANCERE PALETTE	
22	0875.151	MOLLA X BILANCERE PALETTE	SPRING FOR SLIDING PLATE	RESSORT	Feder zu Schiebepfählen	MOLLA X BILANCERE PALETTE	
23	0875.152	MOLLA X BILANCERE PALETTE	SPRING FOR SLIDING PLATE	RESSORT	Feder zu Schiebepfählen	MOLLA X BILANCERE PALETTE	
24	0875.121	BOCCOLA X MOLLA BILANCERE PAL.	BUSH FOR COMPENSATOR SPRING PAL	BAGUE POUR RESSORT	Hülse zu Schwinghebel Rührst..	BOCCOLA X MOLLA BILANCERE PAL.	
25	0875.111	PERNO DI CONTRASTO X GUIDA PALET	CONTRAST PIN FOR STIRRER GUIDE	AXE	Boizen zu Rührstäbchenführung	PERNO DI CONTRASTO X GUIDA PALET	
26	0875.112	PIASTRINO SCORREVOLE	SLIDING PLATE	PLAQUE COULISSANT	Schiebepfählen	PIASTRINO SCORREVOLE	
27	0875.112	PIASTRINO SCORREVOLE	SLIDING PLATE	RONDELLE DE GLISSEMENT	Hülse zu Schiebepfählen	PIASTRINO SCORREVOLE	
28	0875.263	BOCCOLA X PIASTRINO SCORREVOLE	BUSH FOR SLIDING PLATE	ROULEAU	Rolle zu Schiebepfählen	BOCCOLA X PIASTRINO SCORREVOLE	
29	U110.004	VITE AUT.TCB 3.5X6.5 DIN 7981 F	screw AUT.TCB 3.5X6.5 DIN 7981 F	VIS AUT.TCB 3.5X6.5 DIN 7981 F	Schraube 3.5X6.5 DIN7981F	VITE AUT.TCB 3.5X6.5 DIN 7981 F	
30	0875.264	PERNO X SPINTORE	PIVOT FOR PUSHER	AXE DE POUSSEUR	Schiebezapfen	PERNO X SPINTORE	
31	0875.110	SPORTELO ZUCCHERO	SUGAR DOOR	PORTIERE SUCRE	Zuckerklappe	SPORTELO ZUCCHERO	
32	0875.117	CONDOTTO ZUCCHERO	SUGAR DUCT	CONDUIT SUCRE	Zuckerführung	CONDOTTO ZUCCHERO	
33	0875.103	MOLLA SPORTELO ZUCCHERO	MAGNET	RESSORT PORTE SUCRE	Feder zu Klappe Zuckerschacht	MOLLA SPORTELO ZUCCHERO	
34	NF13.006	ANELLO X PERNI D.3 QUICLOCK ZINC	RING FOR PIN D.3 QUICLOCK ZINC	RONDELLE D.3 QUICLOCK ZINC	Sicherungsring d=3 zu Bolzen ver	ANELLO X PERNI D.3 QUICLOCK ZINC	
35	9111.553	MOLLA AUTOSERRANTE X TUBO D.22	SELF-ENERGIZING SPRING FOR TUBE	COLLIER AUTOSERRANT D.22	Klemmfeder für Schlauch D. 22	MOLLA AUTOSERRANTE X TUBO D.22	
36	U109.003	VITE AUT.TCB 3.5X9.5 DIN 7981 C	SCREW TCB 3.5X9.5 DIN 7981 C NIC	VIS TCB3.5X9.5DIN7981CNIK	Linsen-Blechs. 3.5x9.5 DIN 7981	VITE AUT.TCB 3.5X9.5 DIN 7981 C	
37	9110.043.00P	ASS.DISTRIB.PALETTE/ZUCCH.COMB.	DISTRIB.ASS. STIRRER /SUGAR COMB	DISTRIBUTEUR PALETTE/SUCRE	Rührstäbchensp. m. Zuckerport. 89	ASS.DISTRIB.PALETTE/ZUCCH.COMB.	
38	0875.147	TUBO FLESSIBILE X ZUCCHERO	FLEXIBLE TUBE FOR SUGAR	TUBE FLEXIBLE POUR SUCRE	Schlauch flexibel für Zucker	TUBO FLESSIBILE X ZUCCHERO	
39	U109.018	VITE AUT.TCB 3.5X6.5 DIN 7981 C	screw AUT.TCB 3.5X6.5 DIN 7981 C	VIS AUT.TCB 3.5X6.5 DIN 7981 C	Linsen-Blechschr. 3.5x6.5 DIN 79	VITE AUT.TCB 3.5X6.5 DIN 7981 C	
40	129827502	VITE TCB M6X14 UNI 7687 ZNP	TCB SCREW M6X14 UNI 7687 ZNP	VIS TCB M6X14 UNI 7687 ZNP	Linsenschraube M6x14 DIN 7985 ve	VITE TCB M6X14 UNI 7687 ZNP	
41	0875.244	ASSIEME SCIVOLO PALETTE	WHOLE PANS CHUTE	TOBOGGAN PALETTE	Rührstäbchenkanal kplt.	ASSIEME SCIVOLO PALETTE	
42	0875.286	ASSIEME SCIVOLO PALETTE L.105	WHOLE PANS CHUTE L.105	TOBOGGAN PALETTE L.105	Rührstäbchenkanal kplt. 105mm	ASSIEME SCIVOLO PALETTE L.105	
43	U302.003	DADO ESAGONALE M4 UNI 5589 ZN	GALV.NUT HEXAGONAL M4 UNI 5589 Z	ECROU HEXAGONAL M4 UNI 5589 ZN	Mutter M4 UNI 5589 ZN	DADO ESAGONALE M4 UNI 5589 ZN	
44	128310404	ROSETTA UNI 8842 A4 BRUNITA	WASHER UNI 8842 A4 BURNTISHED	RONDELLE UNI 8842 A4	Facherschleibe A4, 3 DIN 6798 verz	ROSETTA UNI 8842 A4 BRUNITA	
45	0875.252	PIASTRA X CONV. PALETTE	PLATE FOR BLADES CONV.	COUV.TOBOGGAN PALETTE	PIASTRA X CONV. PALETTE	PIASTRA X CONV. PALETTE	
46	9110.064	ASS.DISTRIB.ZUCCHERO/PALETTE L=1	ASS.DISPENSER SUGAR L.105	DISTRIBUTEUR SUCRE/PALETTE L=105	Spender kplt. Rührstäbchen 105mm	ASS.DISTRIB.ZUCCHERO/PALETTE L=1	










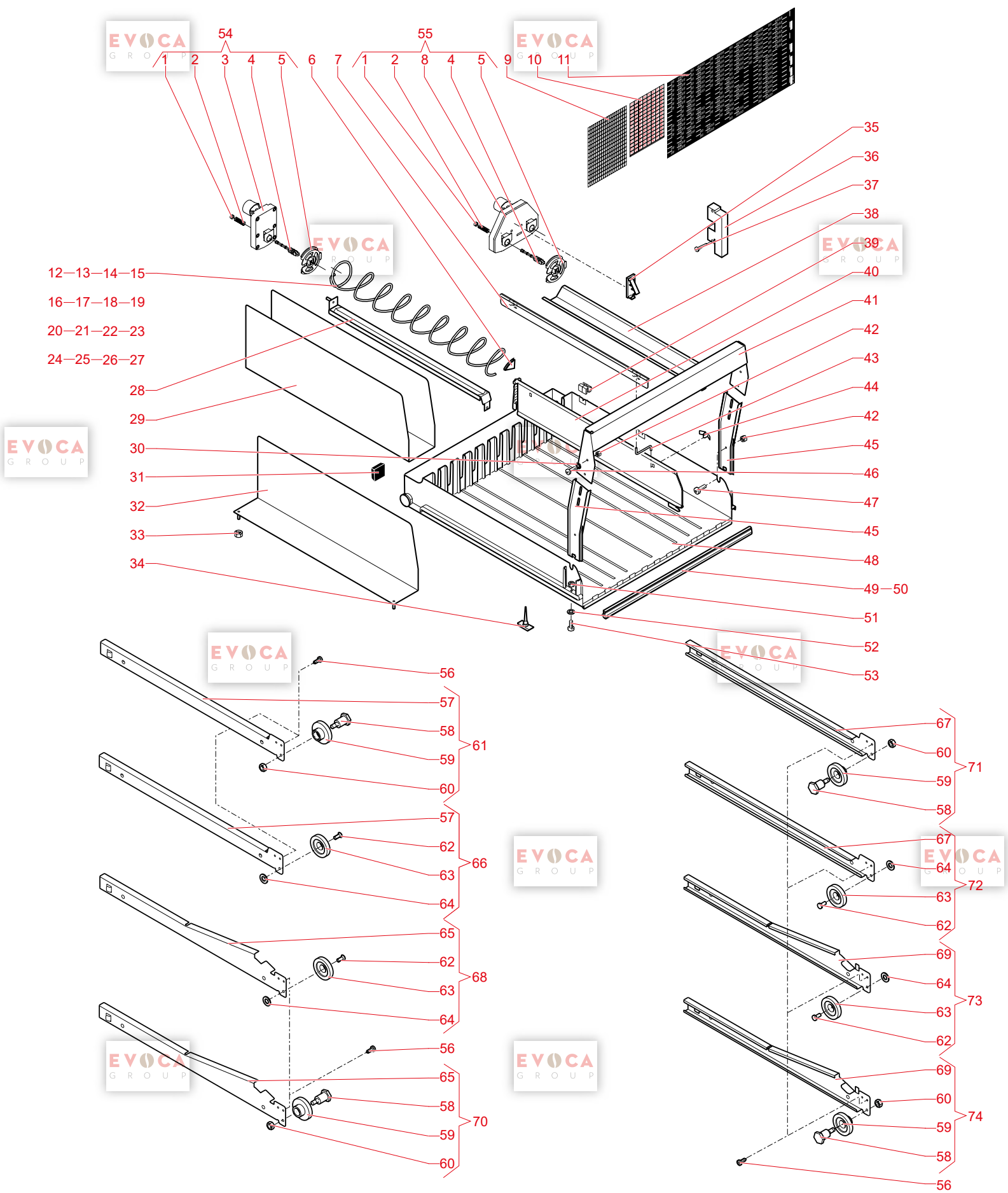
N.POSI	COD	I - DESCRIZIONE	UK - DESCRIPTION	F - DESCRIPTION	D - BEZEICHNUNG	E - DESCRIPCION	NOTE
1	U109.004	VITE AUT.TCB 4.8X9.5 DIN 7981 C	screw AUT.TCB 4.8X9.5 DIN 7981 C	VIS AUT.TCB 4.8X9.5 DIN 7981 C	Linsen-Blechschr. 4.8X9.5 DIN798	VITE AUT.TCB 4.8X9.5 DIN 7981 C	
2	0875.740	FLAT - CABLE 26 POLI	FLAT CABLE 16 POLE	CABLE PLAT 16 POLES	Flachbandkabel 26-polig neu	FLAT - CABLE 26 POLI	
3	9111.402	DISTANZIALE X SCHEDA	SPACER FOR CARD	ENTRETOISE PLATINE	Halterung	DISTANZIALE X SCHEDA	
4	0875.742	SCHEDA I/O COMBI V.3 220V/240V	I/O CARD COMBI SNACK V3 220V/24	PLATINE PUISSANCE COMBISNACK V3	Leistungsplatine Combi Snack	SCHEDA I/O COMBI V.3 220/240V	
5	9991.079	DISTANZIALE X SCHEDA	SPACER FOR CARD	ENTRETOISE	DISTANZBUCHSE	DISTANZIALE X SCHEDA	
6	U310.004	DADO AUTOBLOC.M6 UNI 7473 ZNP	nut SELF LOCK.M6 UNI 7473	ECROU AUTOBLOC.M6 UNI 7473 ZNP	Sechskantmutter M6 DIN 985 verz.	DADO AUTOBLOC.M6 UNI 7473 ZNP	
7	U207.013	ROSETTA PIANA 6.5X18 UNI 6592 ZN	PLAIN WASHER 6.5X18 UNI 6592 GAL	RONDELLE 6.5X18 UNI 6592 GALV	Unterlegscheibe 6.5x18 DIN 125 v	ROSETTA PIANA 6.5X18 UNI 6592 ZN	
8	NE19.011	TRASFORMATORE TOROIDALE D.A. COM	TOROIDAL TRANSFORMER D.A.COMBI	TRANSFORMATEUR TOROÏDAL DA COMBI	Transformatore CombiSnack	TRASFORMATORE TOROIDALE D.A. COM	
9	U005.013	VITE TE M6.0X70 UNI 5739 ZNP	screw TE M6.0X70 UNI 5739 GALV.	VIS TE M6.0X70 UNI 5739 GALV.	Schraube M6x70 DIN 933 verz.	VITE TE M6.0X70 UNI 5739 ZNP	
10	9111.645	GUAINA X CAVI L.1420MM	SHEATH FOR CABLES L.1420MM	GAINE POUR CABLE L.1420MM	Schutzmantel Flachbandkabel L=14	GUAINA X CAVI L.1420MM	
11	11036437	AS.CPU-SW DIAMANTE BRIDGE	CPU-SW AS. DIAMANTE BRIDGE	GAINE	Schutzmantel Flachbandkabel	GUAINA X CAVI	
12	0875.249	GUAINA X CAVI	SHEATH FOR CABLES	VIS AUT.TCB 2.9X13 DIN 7981 F	SCHRAUBE 2.9X13 DIN 7981	VITE AUT.TCB 2.9X13 DIN 7981 F N	
13	U110.006	VITE AUT.TCB 2.9X13 DIN 7981 F N	screw AUT.TCB 2.9X13 DIN 7981 F	AFRICHEUR 20X2 LCD BLUE STN+FLAT	LCD-Display 20x2 blau + Flachban	DISPLAY 20X2 LCD BLUE STN + FLAT	
14	192200500	DISPLAY 20X2 LCD BLUE STN + FLAT	20x2 LCD BLUE DISPLAY STN + FLAT	ENTRETOISE ADHESIVE POUR AFFICHE	Abdichtungselbstkle. zu Disp		
15	0875.421	DISTANZIALE ADESSIVO X DISPLAY	ADHESIVE SPACER FOR DISPLAY	VITRE AFFICHEUR 2MM	Filter Display 2 mm	VETRINO X DISPLAY SPSS.2 MM	
16	0862.027	VETRINO X DISPLAY SPSS.2 MM	DISPLAY GLASS 2 MM THICKNESS	BRANCHEMENT PLAT CLAVIER/CPU	Flachbandkabel Tastatur/CPU	FLAT COLLEGAM. TASTIERA/CPU	
17	0875.650	FLAT COLLEGAM. TASTIERA/CPU	FLAT CONNECTOR TOUCH PANEL/CPU	ECROU HEXAGONAL M8 UNI 5588	Sechskantmutter M8 DIN 934 verz.	DADO ESAGONALE M8 UNI 5588 ZNP	
18	U302.007	DADO ESAGONALE M8 UNI 5588 ZNP	nut HEXAGONAL M8 UNI 5588	TOUCH PANEL CONNECTION CARD	Verbindungssprint Türelektronik/T	SCHEDINO COLLEGAMENTO TASTIERA	
19	0875.651	SCHEDINO COLLEGAMENTO TASTIERA	TOUCH PANEL CONNECTION CARD	PLATINE CONNEXION CLAVIER	Tastatur schwarz mit Membrane Di	TASTIERA MEMBRANA DIAMANTE NERO	
20	11033407	TASTIERA MEMBRANA DIAMANTE EVO	SWITCH PUSHBUTTON DIAMANTE NERO	CLAVIER DIAMANTE NOIR	Anschlusskabel ohne Stecker		
21	NE01.051	CAVO SVIZZERA CON SPINA EN60320	CABLE SWITZERLAND WITH PLUG EN60	CABLE POUR LA SUISSE EN603	Anschlusskabel Schweiz	CAVO SCHUKO CON SPINA EN60320 C1	
22	NE01.054	CAVO CON SPINA EN60320 C13	CABLE WITH PLUG EN60320 C13	CABLE AVEC PRISE EN60320 C13	CABLE USA 3P 16 AWG	INTERRUTTORE MOLVENO B412C112100	
23	NE01.105	CAVO USA 3 POLI 16 AWG	CABLE USA 3P 16 AWG	NON UTILISEE PAR LA FRANCE ET BE	CABLE USA 3P 16 AWG	PRESA A VASCH S/SMUSSI EN 60320	
24	NE01.053	CAVO AUSTRAL. CON SPINA EN60320	CABLE AUSTRAL. +PLUG EN60320 C13	CABLE AUSTRAL.	Anschlusskabel Australien	SCATOLA PARTI ELETRICHE	
25	NE01.093	CAVO AL-ARGENT/SPINA EN60320 C	CABLE ARGENTINA + PLUG EN60320 C	NON UTILISEE PAR LA FRANCE ET LE	Anschlusskabel Argentinien	RIVETTO MASSA UN TERMINALE 10000	
26	NE01.050	CAVO SCHUKO CON SPINA EN60320 C1	CABLE SCHUKO WITH PLUG EN60320 C	CORDON ALIMENTATION	Anschlusskabel Deutschland	FILTRO ANTIDIST.BLOC.VITE 16A	
27	NE03.003	INTERRUTTORE MOLVENO B412C112100	MOLVENO SWITCH B412C11210000W	INTERRUPTEUR MARCHÉ/ARRÊT	Schalter Ein/Aus P7	PRESA A VASCH S/SMUSSI EN 60320	
28	NE13.013	PRESA A VASCH S/SMUSSI EN 60320	CUP SOCKET EN 60320 C 13	PRISE	Kaltgerätestecker 3-pol DIN60320	SCATOLA PARTI ELETRICHE	
29	0875.292	SCATOLA PARTI ELETRICHE	ELECTRICAL PARTS BOX	SUPPORT PARTIE ELECTRIQUE	Abdeckung Leistungsplatine		
30	12002060	RIVETTO MASSA UN TERMINALE 10000	RIVET GROUND ONE TERMINAL 100007	FILTRÉ GROUND ONE TERMINAL 100007			
31	184651500	FILTRO ANTIDIST.BLOC.VITE 16A	LOCKING SCREW ANTIDISTURB FILTER	FILTRE ANTI PARASITE 16A FNC 161			
32	NE13.080	RELE/DI POTENZA DEVIATORE FINDER	POWER RELAY	RELAIS PUISSANCE	Relais CS Instant N		
33	U109.003	VITE AUT.TCB 3.5X9.5 DIN 7981 C	SCREW TCB 3.5X9.5 DIN 7981 C NIC	VIS TCB3.5X9.5DIN7981CNK	Linsen-Blechs. 3.5x9.5 DIN 7981	VITE AUT.TCB 3.5X9.5 DIN 7981 C	
34	U208.009	ROSETTA DENT. 8.4X15 UNI 3703 BR	TOOTHED WASHER 8.4X15 UNI 3703	RONDELLE DENT. 8.4X15 UNI 3703 B	Fächerschleibe A8 4 DIN 6798 brün	ROSETTA DENT. 8.4X15 UNI 3703 BR	
35	11036336	ASS.SCATOLA PARTI EL.DIAMANTE EV	PARTS ELECTRIC DIAMANTE EVO 230V	PARTS ELECTRIC DIAMANTE EVO 230V			

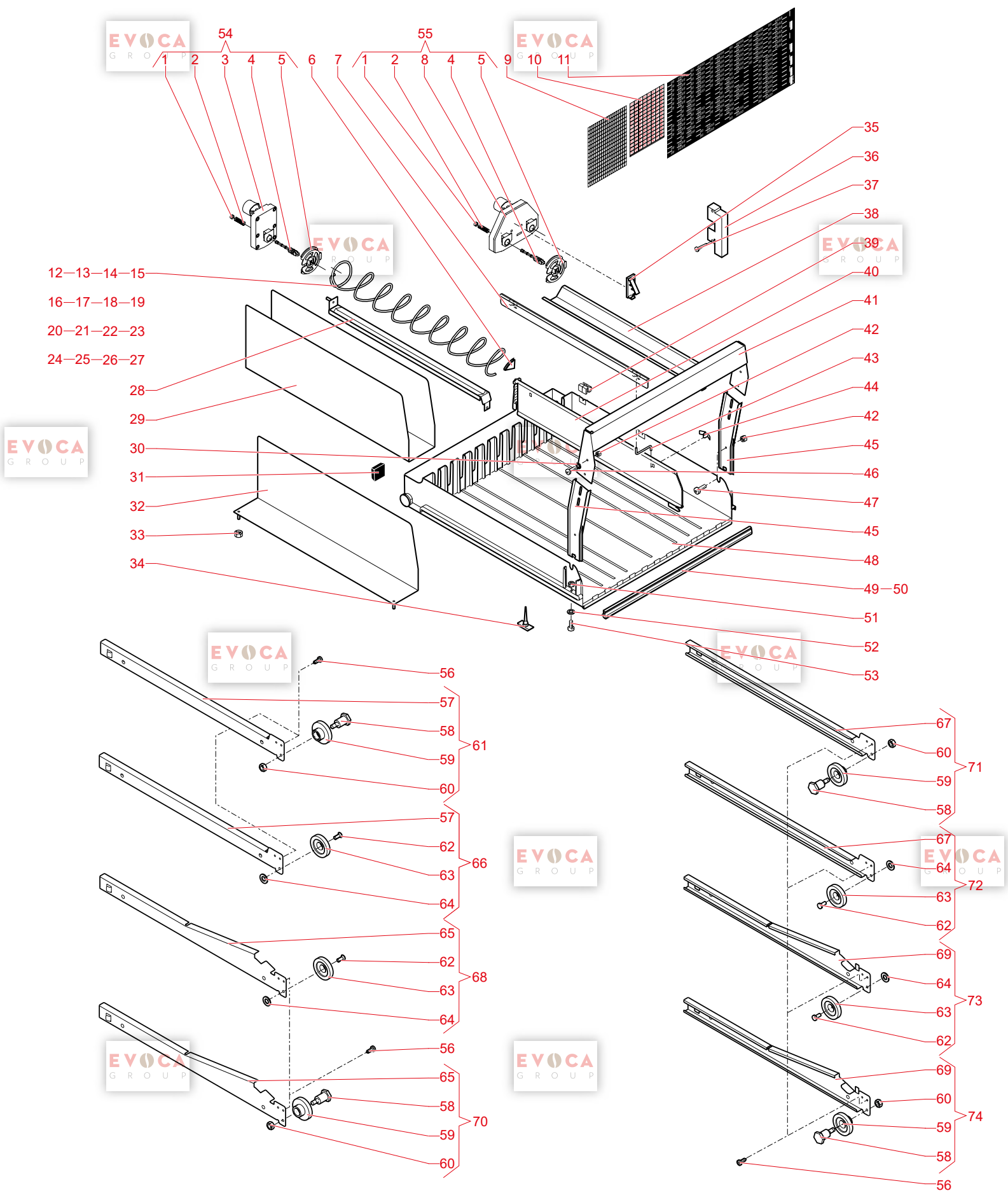











N.POSI	COD	I - DESCRIZIONE	UK - DESCRIPTION	F - DESCRIPTION	D - BEZEICHNUNG	E - DESCRIPCION	NOTE
1	11029737	PROTEZIONE VALVOLA SFIATO GRUPPO	PROTECTION VALVE	PROTECTION VALVE DU GROUPE	PROTECTION VALVE	PROTEZIONE VALVOLA SFIATO GRUPPO	
2	11029312	CHIUSURA VALVOLA SFIATO	BREATHER VALVE CLOSED	VALVE FERMETURE	BREATHER VALVE CLOSED	CHIUSURA VALVOLA SFIATO	
3	NV01.009	GOMMINO PARACOLPI	RUBBER BUFFER	AMORTISSEUR	Gummipuffer	GOMMINO PARACOLPI	
4	11030836	PERNO X FISSAGGIO SUPP.VALVOLA S	PIN FIXING VALVE SUPPORT	GOUPIILLE FIXATION SUPPORT VALVE	PERNO X FISSAGGIO SUPP.VALVOLA S	PERNO X FISSAGGIO SUPP.VALVOLA S	
5	11029313	CURSORE COMPENSATORE X VALVOLA S	CURSOR COMPENSATOR VALVE VENT	VALVE CURSEUR COMPENSATEUR	CURSOR COMPENSATOR VALVE VENT	CURSORE COMPENSATORE X VALVOLA S	
6	11029311	COPERCHIO VALVOLA SFERA	COVER BALL VALVE	VALVE COUVERTURE	COVER BALL VALVE	COPERCHIO VALVOLA SFERA	
7	126771918	MOLLA CONTROPISTONE SMART INOX	SS COFFEE UNIT CONTRIPISTON SPR	RESSORT CONTRIPISTON	Feder zu Kolben Brühgruppe	MOLLA CONTROPISTONE SMART INOX	
8	12001811	SFERA D.4.5 TEFLON X VALVOLA GRU	SPHERE TEFLON D.4.5	SPHERE TEFLON D.4.5	SFERA TEFLON D.4.5	SFERA D.4.5 TEFLON X VALVOLA GRU	
9	11029317	DADO TENUTA CONTROPISTONE MOBILE	NUT SEAL PISTON MOVABLE	ECROU DE TENUE CONTREPISTON	NUT SEAL PISTON MOVABLE	DADO TENUTA CONTROPISTONE MOBILE	
10	U701.007	ANELLO ELASTICO 6 UNI 7434	SNAP RING 6 UNI 7434	ANNEAU DE SURETE	Sicherungsschraube 6 DIN 6799	ANELLO ELASTICO 6 UNI 7434	
11	11029316	FLANGIA X PISTONE MOBILE	FLANGE FOR CUPHOLDER	BRIDE PISTON MOBILE	FLANGIA X PISTONE MOBILE	FLANGIA X PISTONE MOBILE	
12	11029308	MOLLA X CONTROPISTONE MOBILE	SPRING FOR MOVABLE COUNTERPISTON	RESSORT CONTRE PISTON	SPRING FOR MOVABLE COUNTERPISTON	MOLLA X CONTROPISTONE MOBILE	
13	9161.320	VALVOLA X GRUPPO CAFFE' BIANCA	VALVE FOR UNIT	VALVE DE GROUPE CAFE	Ventilhalbkuigel Brühgruppe	VALVOLA X GRUPPO CAFFE' BIANCA	
14	11029310	MOLLA COMPENSATRICE X VALVOLA SF	SPRING FOR RELIEF VALVE	RESSORT COMPENSATEUR VALVE	SPRING FOR RELIEF VALVE	MOLLA COMPENSATRICE X VALVOLA SF	
15	11029314	CURSORE X VALVOLA SFIATO	CURSOUR FOR VALVE VENT	CURSOUR DE VALVE	CURSORE FOR VALVE VENT	CURSORE X VALVOLA SFIATO	
16	11029309	MOLLA X VALVOLA SFIATO	SPRING FOR RELIEF VALVE	RESSORT VALVE	SPRING FOR RELIEF VALVE	MOLLA X VALVOLA SFIATO	
17	11029878	ASS.CONTROPISTONE MOBILE	ASS.CONTROPISTONE MOBILE	ENS. CONTREPISTON	Kolben kpl.	ASS. CONTROPISTONE MOBILE	
18	11012630	DOCCIA ELFO D.34	PERCOLATOR D.34	GRILLE INFERIEUR D.34	Sieb Brühgruppe oben d=34	DOCCIA ELFO D.34	
19	11030122	DISTANZIALE X DOSAG.6GR.CONTROPI	MOBILE SCRAPER BROWN NARROW	ENTRETOISE	SPACE	DISTANZIALE X DOSAG.6GR.CONTROPI	
20	322001201	RASCHIATORE MOBILE MARRON TYP ST	SCRAPER FOR SCRAPER	RECEPTACLE MOUTURE DIGITAL	Trichter Brühgruppe SA, P-Geräte	RASCHIATORE MOBILE MARRON TYP ST	
21	9161.425	MOLLA X TRAMOGGIA	TSP SCREW M3X6 UNI 7688 SS	RESSORT DE TREMIS	Federbügel zu Trichter	MOLLA X TRAMOGGIA	
22	129851921	VITE TSP M3X6 UNI 7688 INOX	SS PERCOLATOR D=34 FOR UNIT	GRILLE INFERIEUR	Siebschraube M3x6 DIN 965 INOX	VITE TSP M3X6 UNI 7688 INOX	
23	324000200	DOCCIA AC. INOX D=34 X GRUPPO	O-RING 2118 NITRIL RUBBER	JOINT OR 2118 GOMME	Sieb ø34	DOCCIA AC. INOX D=34 X GRUPPO	
24	140322500	OR 2118 GOMMA NITRILICA	ASS.PISTONE X GRUPPO CAFFE'	ENS. PISTON	O-Ring 2118	OR 2118 GOMMA NITRILICA	
25	11029879	VITE TSP M3,0X8 UNI 7688 INOX	SS SCREW TSP M3,0X8 UNI 7688	CHAMBRE GROUPE CAFE	Kolben kpl.	ASS.PISTONE X GRUPPO CAFFE'	
26	U044.009	AS.CONT.CAF.MAC.D=36	BROWN GROUND COFF.CONTAINER D=36	ANELLO X CAMMA PISTONE	Brühkammer braun	VITE TSP M3,0X8 UNI 7688 INOX	
27	222711101	ANELLO X CAMMA PISTONE	RING FOR CAM	CLE DE GROUPE CAFE	RING FOR CAM	ANELLO X CAMMA PISTONE	
28	11030309	CHIAVE X GRUPPO CAFFE' MARRON	KEY FOR BREW UNIT BROWN	COFFEE NOZZLES	Einstellschlüssel für Brühinheit	CHIAVE X GRUPPO CAFFE' MARRON	
29	9161.021.060	UGELLO CAFFE' UNIFICATO	COFFEE NOZZLES	COFFEE NOZZLES	Düse gefräst	UGELLO CAFFE' UNIFICATO	
30	11033574	TUBO SILICONE 3,5X6 L.340MM	SILICONE TUBE 3,5X9 L.340MM	TUBE SILICONE 3,5X9 L.340MM	Linsen-Blechs. 2,2x9,5 DIN 7981	VITE AUT.TCB 2,2X9,5 DIN 7981 C	
31	9972.345	VITE AUT.TCB 2,2X9,5 DIN 7981 C	screw AUT.TCB 2,2X9,5 DIN 7981 C	VIS TCB2,2X9,5DIN7981CNK	Schraube 2,9X13	VITE TCB AB 2,9X13 LAMIERA INOX	
32	U109.006	VITE TCB AB 2,9X13 LAMIERA INOX	SCREW TCB TORX 10 AB 2,9X13 SHEE	VIS TCB TORX 10 AB 2,9X13 SS	Abdeckung Kaffeekauslauf	CARTIER X MANICOTTO GRUPPO PRERIS	
33	129512921	CARTIER X MANICOTTO GRUPPO PRERIS	UNIT COFFEE MUFF	CARTIER DE SORTIE PIPETTE GROUPE	Manicotto gruppo caffè	MANICOTTO GRUPPO CAFFE'	
34	110100113	MANICOTTO GRUPPO CAFFE'	O-RING 4112 EPDM	JOINT 4112	O-Ring 4112 EPDM	MANICOTTO GRUPPO CAFFE'	
35	11005371	OR 4112 EPDM	O-RING 0100-15 SILICONE	JOINT ORM 0100-15 SILICONE	O-Ring 0100-15 SILICONE	OR 4112 EPDM	
37	NM01.029	OR ORM 0100-15 SILICONE	O-RING 2018 SILICONE	JOINT 2018	O-Ring 2018 Silikon	OR ORM 0100-15 SILICONE	
38	140321462	RASATORE X GRUPPO CAFFE' 7-9GR.	SCRAPER FOR COFFEE UNIT 7-9GR.	RACLEUR GROUPE 7-9GR	Bügel Sudabstreitung schwarz Brü	RASATORE X GRUPPO CAFFE' 7-9GR.	
39	11012957	RASCHIATORE GRUPPO CAFFE' MARRONE	BROWN SCRAPER COFFEE GROUP	RACLEUR GROUPE CAFE	Trichter Brühgruppe	RASCHIATORE GRUPPO CAFFE' MARRONE	
40	9111.537.060	MOLLA X RASCHIATORE SEZIONE 0.6	SPRING FOR SCRAPER SECTION 0.6	RESSORT POUR RACLETTTE	Feder für Abstreifer BG P500N	MOLLA X RASCHIATORE SEZIONE 0.6	
41	9111.520	ANELLO ELASTICO 3,2 UNI 7434	SNAP RING 3,2 UNI 7434	ANNEAU ELASTIQUE	Sicherungssring ø3,2 elastisch	ANELLO ELASTICO 3,2 UNI 7434	
42	U701.006	FORCELLA PER RASCHIATORE	FORK FOR SCRAPER	FOURCHE POUR RACLETTTE	Gabel zu Trichter	FORCELLA PER RASCHIATORE	
43	9111.539.060	VITE AUT.TCB 3,9X6,5 DIN 7981 F	screw AUT.TCB 3,9X6,5 DIN 7981 F	VIS .TCB 3,9X6,5 DIN 7981 F NIK	Schraube 3,9X6,5	VITE AUT.TCB 3,9X6,5 DIN 7981 F	
44	U110.013	ASS.GRUPPO CAFFE' 7GR GRAN GUSTO	BREWING UNIT ASS. 7GR GRAN GUSTO	GROUPE CAFE 7GR GRAN GUSTO	Brühgruppe kpl.	ASS.GRUPPO CAFFE' 7GR GRAN GUSTO	
45	11030408	ASS.RASCHIATORE X SG500/700	SCRAPER ASS.FOR CAPPUCINAT. TUB	RACLETTTE CCOMPLET	Abstreifer kpl. Brühgruppe SG	ASS.RASCHIATORE X SG500/700	
46	9110.067.060						

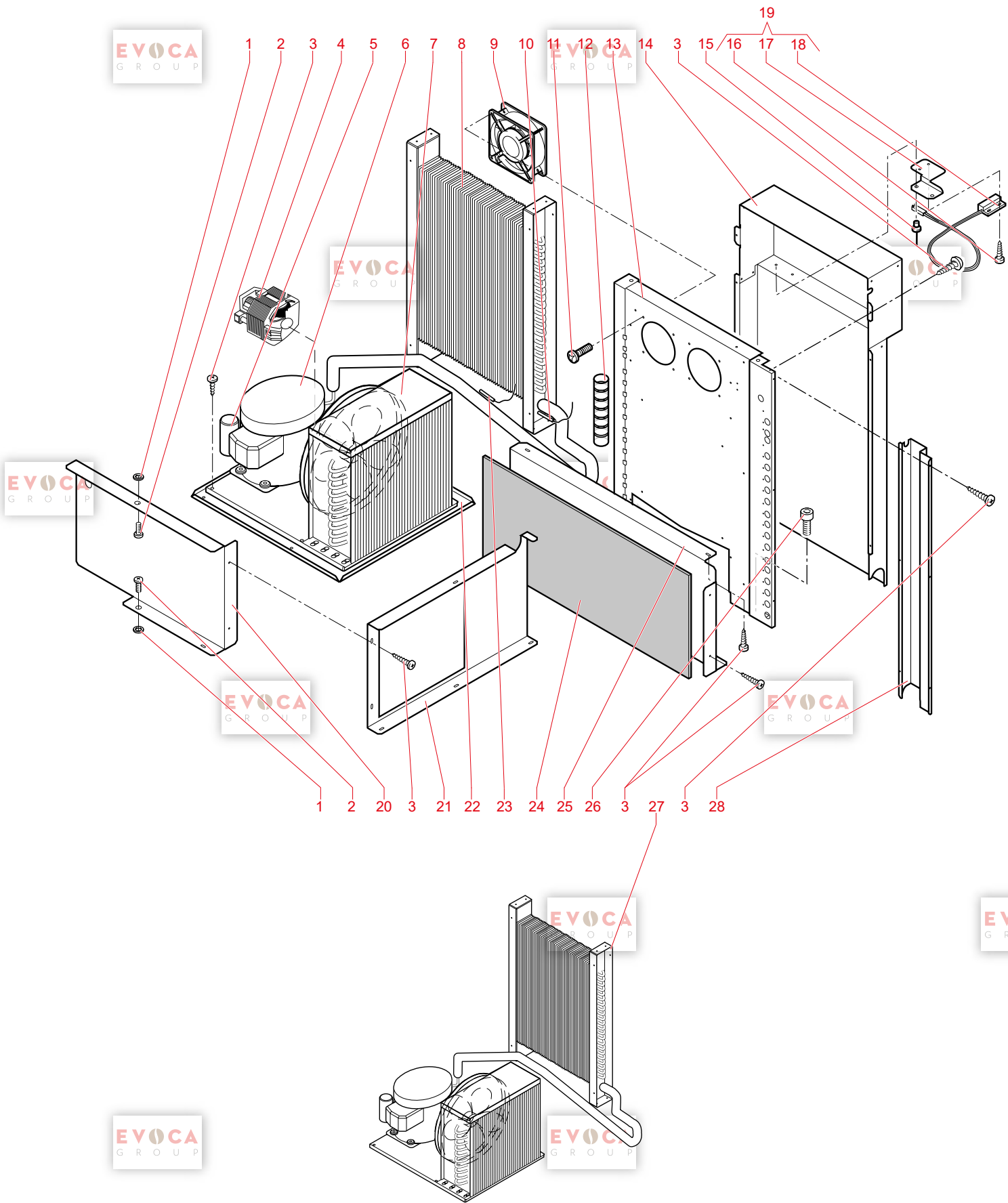


N.POSI	COD	I - DESCRIZIONE	UK - DESCRIPTION	F - DESCRIPTION	D - BEZEICHNUNG	E - DESCRIPCION	NOTE
1	11013053	CARTER X GRUPPO CAFFE'	CARTER FOR DOSER UNIT	PROTECTION GROUPE CAFE	Abdeckung Brühgruppe	CARTER X GRUPPO CAFFE'	      
2	9169.A14.150	ASS.PERNO X DOCCIA COMPLETO GRIG	PIN FOR PERCOLATOR GREY	AXE BLOCAGE GRILLE SUP GRIS	Rändelspannmutter grau	ASS.PERNO X DOCCIA COMPLETO GRIG	
3	NM02.006	OR R5 TERMOLIT	OR R5 TERMOIL	JOINT R5 EPDM	O-Ring R5 Siebhalterung alle Ger	OR R5 TERMOIL	
4	NM01.044	OR ORM 0320-40.SILICONE PTFE/FDA	OR ORM 0320-40.SILICONE PTFE/FDA	JOINT OR 0320-40.SILICONE	O-RING ORM 0320-40	OR ORM 0320-40.SILICONE PTFE/FDA	
5	9161.036	DOCCIA SUPERIORE X GRUPPO	UPPER PERCOLATOR FOR UNIT	GRILLE SUPERIEURE	Sieb oben Brühgruppe l=15mm	DOCCIA SUPERIORE X GRUPPO	
6	9161.037	DOCCIA INFERIORE X GRUPPO	LOWER PERCOLATOR FOR UNIT	GRILLE INFERIEURE	Sieb unten Brühgruppe	DOCCIA INFERIORE X GRUPPO	
7	129851921	VITE TSP M3X6 UNI 7688 INOX	TSP SCREW M3X6 UNI 7688 SS	VIS TSP M3X6 UNI 7688	Senkschraube M3x6 DIN 965 INOX	VITE TSP M3X6 UNI 7688 INOX	
8	9161.425	MOLLA X TRAMOGGIA	SPRING FOR SCRAPER	RESSORT DE TREMIS	Federbügel zu Trichter	MOLLA X TRAMOGGIA	
9	322001259	RASCHIATORE MOBILE GRIGIO (STRET	MOBILE SCRAPER GREY NARROW	ENTONNOIR 9GR PROFIL 2	Trichter schmale Form, grau	RASCHIATORE MOBILE GRIGIO (STRET	
10	11002626	ASS.CONTENTITORE CAFFE GRIGIO 9 G	ASS. COFFEE CONTAINER GREY 9 GR.	CHAMBRE GROUPE CAFE 9GR.	Brüdkammer kpl. grau 9 gr.	ASS.CONTENTITORE CAFFE GRIGIO 9 G	
11	129512921	VITE TCB AB 2.9X13 LAMIERA INOX	SCREW TCB TORX 10 AB 2.9X13 SHEE	VIS TCB TORX 10 AB 2.9X13 SS	Schraube 2,9X13	VITE TCB AB 2.9X13 LAMIERA INOX	
12	11010013	CARTER X MANICOTTO GRUPPO PRERIS	CARTER FOR MUFF PREHEATING UNIT	CARTER DE SORTIE PIPETTE GROUPE	Abdeckung Kaffeelauf	CARTER X MANICOTTO GRUPPO PRERIS	
13	11005371	MANICOTTO GRUPPO CAFFE'	UNIT COFFEE MUFF	PIPETTE DE GROUPE	Wasserinlaufstutzen BG C600	MANICOTTO GRUPPO CAFFE'	
14	140321462	OR 2018 SILICONE	O-RING 2018.SILICONE	JOINT 2018	O-Ring 2018. Silikon	OR 2018. SILICONE	
15	9111.537.150	RASCHIATORE GRUPPO CAFFE GRIGIO	GREY SCRAPER COFFEE GROUP	RACLETTE DE GROUPE CAFE	Federbügel zu Trichter grau	RASCHIATORE GRUPPO CAFFE GRIGIO	
16	9111.520	MOLLA X RASCHIATORE SEZIONE 0.6	SPRING FOR SCRAPER SECTION 0.6	RESSORT POUR RACLETTE	Feder für Abstreifer BG P500N	MOLLA X RASCHIATORE SEZIONE 0.6	
17	U701.006	ANELLO ELASTICO 3.2 UNI 7434	SNAP RING 3.2 UNI 7434	ANNEAU ELASTIQUE	Sicherungsring ø3,2 elastisch	ANELLO ELASTICO 3.2 UNI 7434	
18	9111.539.150	FORCELLA PER RASCHIATORE	FORK FOR SCRAPER	FOURCHE POUR RACLETTE	Gabel zu Trichter	FORCELLA PER RASCHIATORE	
19	U110.013	VITE AUT.TCB 3.9X6.5 DIN 7981 F	screw AUT.TCB 3.9X6.5 DIN 7981 F	VIS .TCB 3.9X6.5 DIN 7981 F NIK	Schraube 3,9X6,5	VITE AUT.TCB 3.9X6.5 DIN 7981 F	
20	9110.067.150	ASS.RASCHIATORE X SG500/700	SCRAPER ASS.FOR CAPPUCCINAT. TUB	ENSEMBLE RACLETTE DE GROUPE	Federbügel+Gabel kpl. zu Tricht	ASS.RASCHIATORE X SG500/700	
21	9111.349	UGELLO EROGAZIONE GOMITO	ELBOW DISPENSING NOZZLE	BUSE SORTIE COUDE	Produktlaufanschlus beweglich	UGELLO EROGAZIONE GOMITO	
22	9972.109	TUBO SILICONE 5X8 L.275MM	SILICONE TUBE 5X8 L.275MM	SILICONE TUBE BROWN 5X8 L.275 MM	Silikonschlauch braun 5x8 L=275	TUBO SILICONE MARRON 5X8 L.275 M	
23	11005422	GRUPPO CAFFE' 9GR	BREW UNIT 9 GRAMS	GROUPE CAFE 9GR	Brühgruppe kpl.	GRUPPO CAFFE' 9GR	
24	9161.020.060	PIATTINO X GRUPPO CAFFE'MARRON	PLATE FOR COFFEE UNIT BROWN	RECUPERATEUR CAFE	Pulverauffangschale Brühgr. brau	PIATTINO X GRUPPO CAFFE'MARRON	
25	9161.021.060	CHIAVE X GRUPPO CAFFE' MARRON	KEY FOR BREW UNIT BROWN	CLE DE GROUPE CAFE	Einstellschlüssel für Brüheinhei	CHIAVE X GRUPPO CAFFE' MARRON	

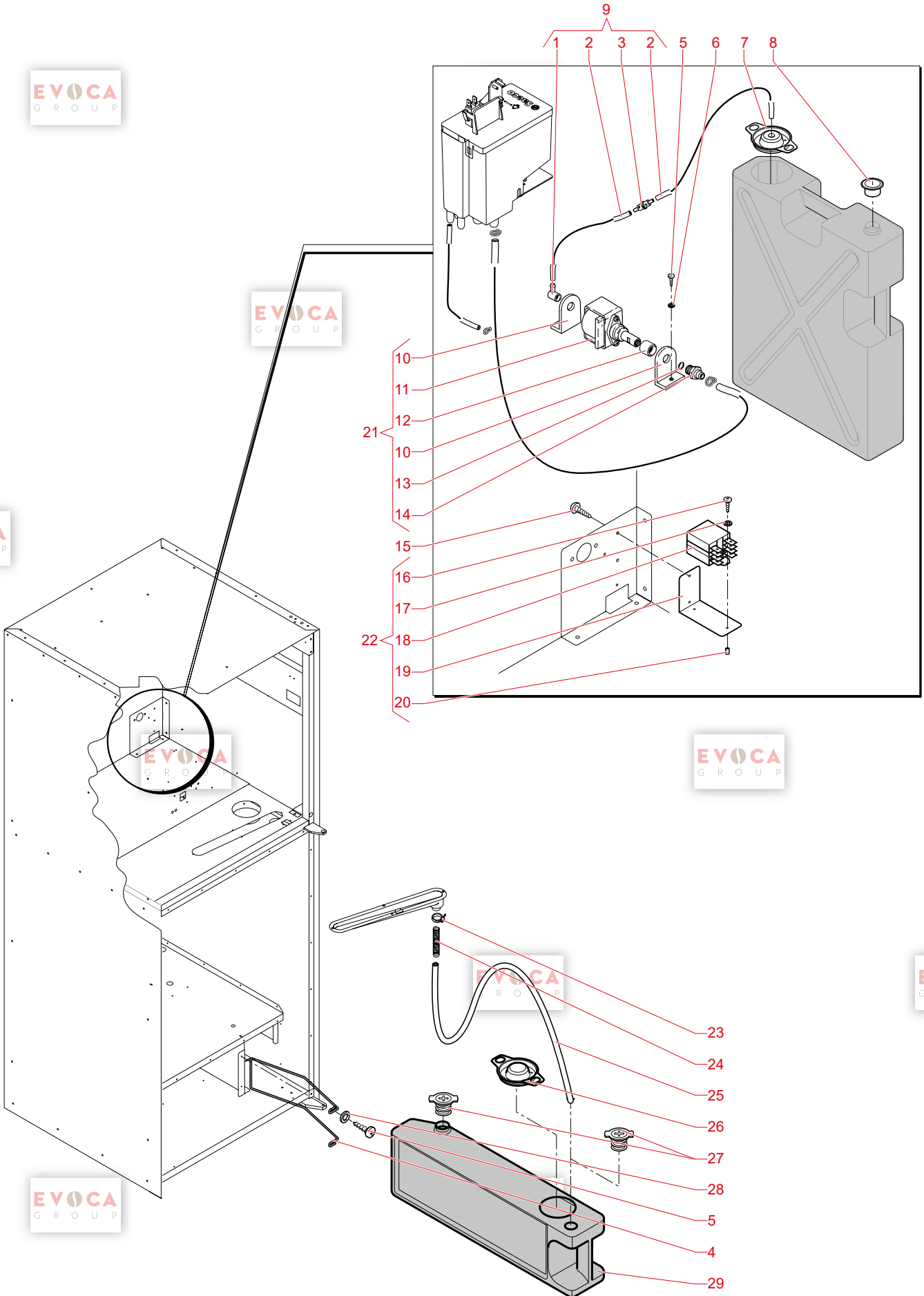







N.POSI COD	I - DESCRIZIONE	UK - DESCRIPTION	F - DESCRIPTION	D - BEZEICHNUNG	E - DESCRIPCION	NOTE
70 71 72 73 74	ASS.GUIDA INCLINATA + ROTELLA SX ASS.GUIDA STD + ROTELLA DX ASS.GUIDA STD DX ASS.GUIDA INCLINATA DX ASS.GUIDA INCLINATA + ROTELLA DX	GUIDE ASS. GUIDE ASS. GUIDE ASS. GUIDE ASS. GUIDE ASS.	ENS.GUIDE PLATEAU INCLINE GAUCHE ENS.GUIDE+ROULETTES DROIT ENS.GUIDE STD DROIT ENS.GUIDE INCLINE DROIT ENS.GUIDE PLATEAU INCLINE DROIT	Führung links zu Produktfach kpl Führung kpl. rechts zu Produktf Führung kpl. rechts zu Produktf Führung kpl. rechts zu Produktf Führung rechts zu Produktfach kp	ASS.GUIDA INCLINATA + ROTELLA SX ASS.GUIDA STD + ROTELLA DX ASS.GUIDA STD DX ASS.GUIDA INCLINATA DX ASS.GUIDA INCLINATA + ROTELLA DX	
						
						
	© by SaGa Coffee S.p.A. - GAGGIO MONTANO		C0063X00	29/08/2018	Diamante Evo	
			15			



N.POSI	COD	I - DESCRIZIONE	UK - DESCRIPTION	F - DESCRIPTION	D - BEZEICHNUNG	E - DESCRIPCION	NOTE
1	U212.005	ROSETTA 5.3X20X1.5 ZNP	WASHER 5.3X20X1.5 GALV.	RONDELLE 5.3X20X1.5 GALV.	Schleibe 5.3x20x1.5 ZNP	VITE AUT.TCB 3.5X9.5 DIN 7981 C	
2	U023.019	VITE TCEI M8X20 UNI 5931 ZIN	SCREW TCEI M8X20 UNI 5931 ZIN	VIS TCEI M8X20 UNI 5931 ZIN	Zylindererschraube TCEI M8x20	MOTOVENTILATORE NET4T052VN015	
3	U109.003	VITE AUT.TCB 3.5X9.5 DIN 7981 C NIC	SCREW TCB 3.5X9.5 DIN 7981 C NIC	VIS TCB3.5X9.5DIN7981CNIK	Linsen-Blechs. 3.5x9.5 DIN 7981	CONDENSATORE NB6144GK 59MF 330V	
4	0875.R05.00A	FAN NET4T052VN015	FAN NET4T052VN015	VENTILATEUR GROUPE FROID	Ventilator A200-28 230V	COMPRESSORE NB6144GK-A-CSIR 230V	
5	0875.R02	CONDENSER 53-64 MF 330V	CONDENSER 53-64 MF 330V	CONDENSATEUR 53-64 MF 330V	Kondensator NB6144GK 59mF 330V	CONDENSATORE 0830210P00	
6	0875.R01.00A	CONDENSER	CONDENSER	COMPRESSEUR 230V	Kondensator 0830210P00	EVAPORATORE 1420270A00	
7	0875.R03	EVAPORATOR 1420270A00	EVAPORATOR 1420270A00	EVAPORATEUR 1420270A00	Verdunstler 1420270A00	MOTORE VENTOLA SJUNON EEC0382B2-0	
8	0875.R04	FAN MOTOR ADDA 24V	FAN MOTOR ADDA 24V	MOTEUR VENTILATION 24VOLT	Ventilator motor 24V CS	SONDA DI TEMP. EVAPORATORE N.V.	
9	9121.220.00P	EVAPORATOR TEMP. PROBE N.V.	EVAPORATOR TEMP. PROBE N.V.	SONDE TEMPERATURE EVAPORATEUR	Temperatursonde Verdampfer	VITE TAPT.TCB M5.0X8 DIN 7500C Z	
10	0875.655	screw TAPT.TCB M5.0X8 DIN 7500C	screw TAPT.TCB M5.0X8 DIN 7500C	VIS TAPT.TCB M5.0X8 DIN 7500C	Schraube M5x8 DIN 7500 C ZNP	CARTER PROTEZIONE EVAPORATORE 8/	
11	U127.011	SPIRALITE TUBE 20X15 L.200MM	SPIRALITE TUBE 20X15 L.200MM	ATTACHES	Hotinierte Ø=2.8x8 Alu	RIVETTO AD ESPANS. D=2.9X8MM/ALL	
12	11012509	DRAWER SUPPORT UPRIGHT 8/10	DRAWER SUPPORT UPRIGHT 8/10	CARTER DE PROTECTION 8/10	Montagewinkel	VITE TCB 2.9X6.4 DIN 7981 NIK	
13	11008677	MONTANTE SUPPORTO CASSETTI 8/10	EVAPORATOR CASING PROTECTION 8/10	ATTACHES	Reedschaltler CS	CABLAGGIO REED X SERBATOI	
14	11008679	CARTER PROTEZIONE EVAPORATORE 8/	EVAPORATOR CASING PROTECTION 8/10	CARTER DE PROTECTION 8/10		PANNELLO LAT. SX GRUPPO FRIGO	
15	NF11.015	RIVETTO AD ESPANS. D=2.9X8MM/ALL	EXPANSION RIVET D=2.8X8 ALU.	ATTACHES		PANNELLO LAT. SX GRUPPO FRIGO	
16	129511803	SQUADRETTA X REED LIVELLO SCARIC	BRACKET FOR REED LEVEL DUMPING	VIS 2.9*6.4 DIN 7981 NICK		SONDA DI TEMPERATURA ARIA	
17	0875.333	CABLAGGIO REED X SERBATOI	HARNES REED FOR TANK	EQUERRE COMBI SNACK NIVEAU EAUX		GRUPPO FRIGO COMBI	
18	0875.659	ASS.SQUADRETTA REED	REED BRACKET ASS.	CABLE REED BAC EAUX USEES			
19	9110.092	PANNELLO LAT. SX GRUPPO FRIGO	LAT. LEFT PANEL FRIDGE GROUP	PANNEAU LAT.GAUCHE			
20	0875.288	PANNELLO FRONTALE GRUPPO FRIGO	FRONT PANEL FRIDGE GROUP	PANNEAU FRONTAL			
21	0875.289	BASAMENTO SUPPORTO COMPRESSORE	SUPPORT BUMPER COMPRESSOR	SOCLE SUPPORT			
22	9121.189	SONDA DI TEMPERATURA ARIA	AIR TEMPERATURE PROBE	SONDE TEMPERATURE AIR			
23	0875.645	ISOLANTE X PANN. LATERALE SX FRI	INSULATOR FOR LAT.LEFT FRIDGE PA	ISOLANT			
24	0875.298	PANNELLO LAT. DX GRUPPO FRIGO 8/	LAT. RIGHT PANEL FRIDGE GROUP	PLAQUE LATERAL			
25	11008682	VITE TCEI M8.0X14 UNI 5931 INO	screw TCEI M8.0X14 UNI 5931 SS	VIS TCEI M8.0X14 UNI 5931 SS			
26	U023.002	GRUPPO FRIGO COMBI	FRIDGE UNIT COMBI	GROUPE FROID COMBISNACK			
27	9121.190.00A	PIASTRA X CONNETTORI CASSETTI 8/	PLATE FOR DRAWER CONNECTORS 8/10	PLAQUE POUR CONNECTEURS			
28	11008681						



N.POSI	COD	I - DESCRIZIONE	UK - DESCRIPTION	F - DESCRIPTION	D - BEZEICHNUNG	E - DESCRIPCION	NOTE
1	147920150	RAC.INGRESSO A 90° POMPA NEU.	90° INLET PUMP CONNECTOR	RACCORD 90º CAOUTCHOUC	Pumpenanschlußwinkel 90° weiß Ku	RAC.INGRESSO A 90° POMPA NEU.	
2	9972.057	TUBO SILICONE 5X8 L.2000MM	SILICONE TUBE 5X8 L.2000MM	TUBE SILICONE MARRON L2M 5X8	Siliconschlauch 5x8, l=2mtr. bra	TUBO SILICONE MARRON 5X8 L.2000	
3	144650300	FILTRO IN ASPIRAZ.RETE 500 OV	ASPIRATION FILTER GAUZE NET 500	FILTRE D'ASPIRATION	Wasserfilter 952 D=8 nur Espresso	FILTRO IN ASPIRAZ.RETE 500 OV	
4	0875.339	MOLLA X TANICAL LIQUIDI DI SCARIC	SPRING FOR TANK	RESSORT	SPRING FOR TANK	MOLLA X TANICAL LIQUIDI DI SCARIC	
5	U109.013	VITE TCB 3.5X13 UNI 6954 NIK	SCREW TCB 3.5X13 UNI 6954 NIK	VIS AUT.TCB 3.5X13 DIN 7981 C	Linsen-Blechtsch. 3.5x13 DIN 798	VITE TCB 3.5X13 UNI 6954 NIK	
6	U207.004	ROSETTA PIANA 4.3X16 UNI 6592 ZN	PLAIN WASHER 4.3X16 UNI 6592 GAL	RONDELL 4.3*16 UNI6592ZNP	Unterlagscheibe 4.3x16 UNI 5931	ROSETTA PIANA 4.3X16 UNI 6592 ZN	
7	9991.200	TAPPO FORATO X SERBATOIO COMBI	CAP PERFORATED FOR TANK COMBI	BOUCHON POUR BIDON ALUTO.	BLINDABDECKUNG TANK	TAPPO FORATO X SERBATOIO COMBI	
8	9991.210	TAPPO KAPSTO GPN350 D.30.4 MM	CAP KAPSTO GPN350 D.30.4 MM	CACHE KAPSTO GPN350 D.30.4 MM	ABDECKUNG KAPSTO GPN350 D=30,4	TAPPO KAPSTO GPN350 D.30.4 MM	
9	1776.001	ASS.TUBO INGRESSO ACQUA L.230-80	INTAKE TUBE ASS.WATER	ENS. TUBE EAU L.230-800	ZULAUFSCHLAUCH L=230-800	ASS.TUBO INGRESSO ACQUA L.230-80	
10	149165850	SUPP.POMPA EATON MAGIC 4002012	EATON PUMP SUPPORT 4002012 MAGIC	SUPPORT DE POMPE	Pumpenmuttering Typ Eaton sz.	SUPP.POMPA EATON MAGIC 4002012	
11	9070.034.00A	POMPA ULKA EP7 230V	POMPE ULKA EP7	POMPE ULKA EP7	Pumpe Ulka EP7 230V	POMPA ULKA EP7 230V	
12	9071.098	RINFORZO X POMPA ULKA	REINFORCEMENT FOR ULKA PUMP	EMBOUIT DE POMPE ULKA	Verstärkung zu Ulka-Pumpe	RINFORZO X POMPA ULKA	
13	140321961	OR 2031 TERMOIL	O-RING 2031 TERMOIL	JOINT 2031	O-Ring 2031 EPDM	OR 2031 TERMOIL	
14	11028475	RACCORDO X TUBO 8X12 TEA	CONNECTOR FOR TUBE 8X 12	RACCORD POUR TUBE 8X12	RACCORD ZU SCHLAUCH 8X12	RACCORDO X TUBO 8X12 TEA	
15	U109.016	VITE AUT.TCB 3.9X13 DIN 7981 C N	screw AUT.TCB 3.9X13 DIN 7981 C	VIS TCB3.9X13DIN7981C NIK	Schraube 3,9x13 DIN 7981C	VITE AUT.TCB 3.9X13 DIN 7981 C N	
16	129512503	VITE TCB 2.9X9.5 DIN 7981 NIK	SCREW TCB 2.9X9.5 DIN 7981 NICK	VIS TCB 2.9X9.5 DIN 7981	Linsen-Blechts. 2.9x9.5 DIN 7981	VITE TCB 2.9X9.5 DIN 7981 NIK	
17	U207.003	ROSETTA PIANA 3.2X7 UNI 6592 ZNP	PLAIN WASHER 3.2X7 UNI 6592 GALV	RONDELLE 3.2X7 UNI 6592 ZNP	Scheibe A3.2 DIN 1.25 verz.	ROSETTA PIANA 3.2X7 UNI 6592 ZNP	
18	NE13.080	RELE'DI POTENZA DEVIATORE FINDER	POWER RELAY	RELAIS PUISSANCE	Relais CS Instlant N	RELE'DI POTENZA DEVIATORE FINDER	
19	2025.001	SUPPORTO RELE'	RELE'SUPPORT	SUPPORT RELAIS	RELASHALTER	SUPPORTO RELE'	
20	NV01.008	CAPPUCCIO X MOLLA VANO EROGAZION	HOOD FOR DISPEN.COMPARTMENT SPRI	CAPUCHON DE RESSORT	Schutzkappe Federbügel	CAPPUCCIO X MOLLA VANO EROGAZION	
21	2025.A02.00A	ASS.POMPA 230V	PUMP ASS.	ENS POMPE 230V	PUMPE KPLT. 230V	ASS.POMPA 230V	
22	2025.A01	ASS.PIASTRA RELE'	PLATE ASS. RELE'	ENS PLAQUE RELAIS	PLATTE RELAIS	ASS.PIASTRA RELE'	
23	NV99.079	FASCIETTA STRINGITUBO D=23-35/9	PIPE WRENCH BAIL D=23-35/9	PINCE D=23-35/9	Schlauchklemme D=23-35/9	FASCIETTA STRINGITUBO D=23-35/9	
24	0875.415	MOLLA X TUBO L.550	SPRING FOR TUBE L.550	RESSORT DE TUBE	Feder für Abflußkanal	MOLLA X TUBO L.550	
25	0875.414	TUBO DI SCARICO L.850 SERB.AUT.	TUBE UNLOADED L.850	TUBE EVACUATION	Auslauschlauch L=850	TUBO DI SCARICO L.850 SERB.AUT.	
26	9991.199	TAPPO X SERBATOIO COMBI	CAP FOR TANK COMBI	BOUCHON DE BAC EAUX USEES	Deckel zu Wassertank d=80	TAPPO X SERBATOIO COMBI	
27	1601.130	TAPPO X BECCUCCIO SERB.RECUP.ACQ	TAP	BOUCHON RESERVOIR KIT AUTONOME	Deckel Auslauf Wassertank	TAPPO X BECCUCCIO SERB.RECUP.ACQ	
28	U201.005	ROSETTA PIANA 4.3X12 DIN 7349 ZN	PLAIN WASHER 4.3X12 DIN 7349 GAL	RONDELLE 4.3X12 DIN 7349 ZNP	Scheibe 4.3x12 DIN 7349 verz.	ROSETTA PIANA 4.3X12 DIN 7349 ZN	
29	0875.274	SERBATOIO X LIQUIDI SCARICO	TANK FOR LIQUIDS DISCHARGE	RESERVOIR EAU	Restwasserbehälter für Ktl Wasse	SERBATOIO X LIQUIDI SCARICO	





Il Costruttore si riserva il diritto di modificare, senza preavviso, le caratteristiche delle apparecchiature presentate in questa pubblicazione; declina inoltre ogni responsabilità per le eventuali inesattezze imputabili ad errori di stampa e/o trascrizione contenute nella stessa.

Le istruzioni, i disegni, le tabelle e le informazioni in genere contenute nel presente fascicolo sono di natura riservata e non possono essere riprodotte ne completamente ne parzialmente od essere comunicate a terzi senza l'autorizzazione scritta del Costruttore che ne ha la proprietà esclusiva.



The manufacturer reserves the right to modify, without prior notice, the characteristics of the equipment described in this publication; and further declines to accept any responsibility for any inaccuracies contained in this publication which can be ascribed to printing and/or transcription errors.

All instructions, drawings, tables and information contained in this publication are confidential and can neither be reproduced, completely or in part, nor be transmitted to third parties without the written permit of the Manufacturer, who has the sole ownership.

Le fabricant se réserve le droit de modifier, sans préavis, les caractéristiques des appareils présentes dans cette publication; en outre, elle decline toute responsabilité pour d'éventuelles inexactitudes imputables à des erreurs d'impression et/ou de transcription.

Tous droits de reproduction, complète ou partielle, des instructions, des dessins, des tableaux et de toutes les informations contenues dans cette publication sont réservés. Aucune communication à un tiers ne peut être faite sans une autorisation par écrit du Constructeur qui en a la propriété exclusive.

Der Hersteller behält sich das Recht vor, die Eigenschaften der hier beschriebenen Geräte ohne Voranzeige zu ändern und lehnt gleichzeitig jede Verantwortung für mögliche Unrichtigkeiten ab, die auf Druckfehler oder Abschreibfehler zurückzuführen sind.

Alle Anweisungen, Zeichnungen, Tabellen und Informationen, die im allgemeinen im vorliegenden Band enthalten sind, müssen als vertraulich betrachtet werden und können weder teilweise noch vollständig reproduziert bzw an Dritte ohne die schriftliche Ermächtigung des Herstellers weitergegeben werden, der das Alleineigentum besitzt.

El Constructor se reserva el derecho de modificar, sin previo aviso, las características de los aparatos presentados en esta publicación; además declina toda responsabilidad por los eventuales inexactitudes imputables a errores de imprenta y/o transcripción contenidos en la misma.

Las introducciones, los dibujos, las tablas y las informaciones en general contenidos en este fascículo son de tipo reservado y no se pueden reproducir, completamente o en parte, ni comunicar a terceros si la autorización escrita del Fabricante, el cual tiene la propiedad exclusiva.



