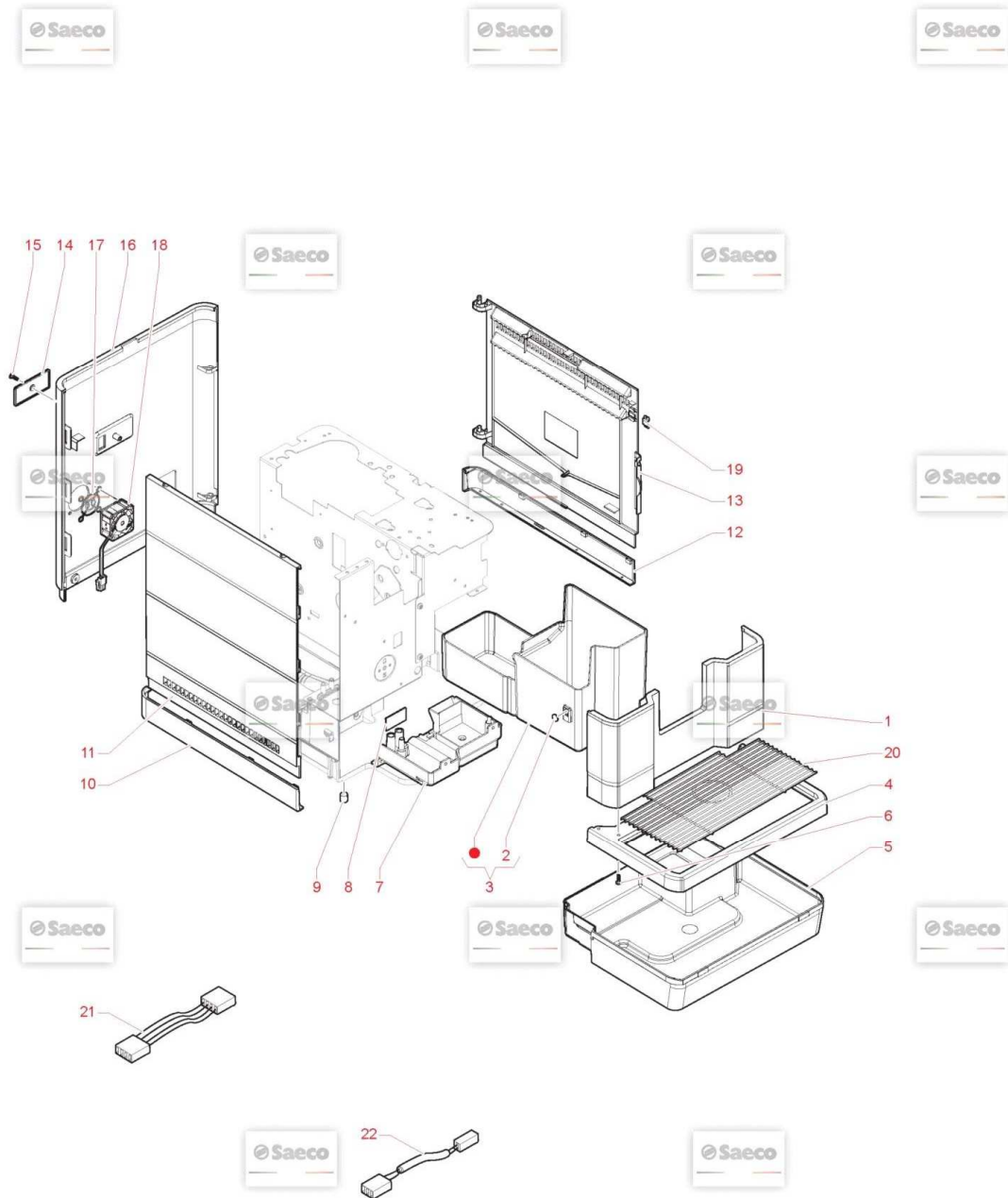


**Magic**

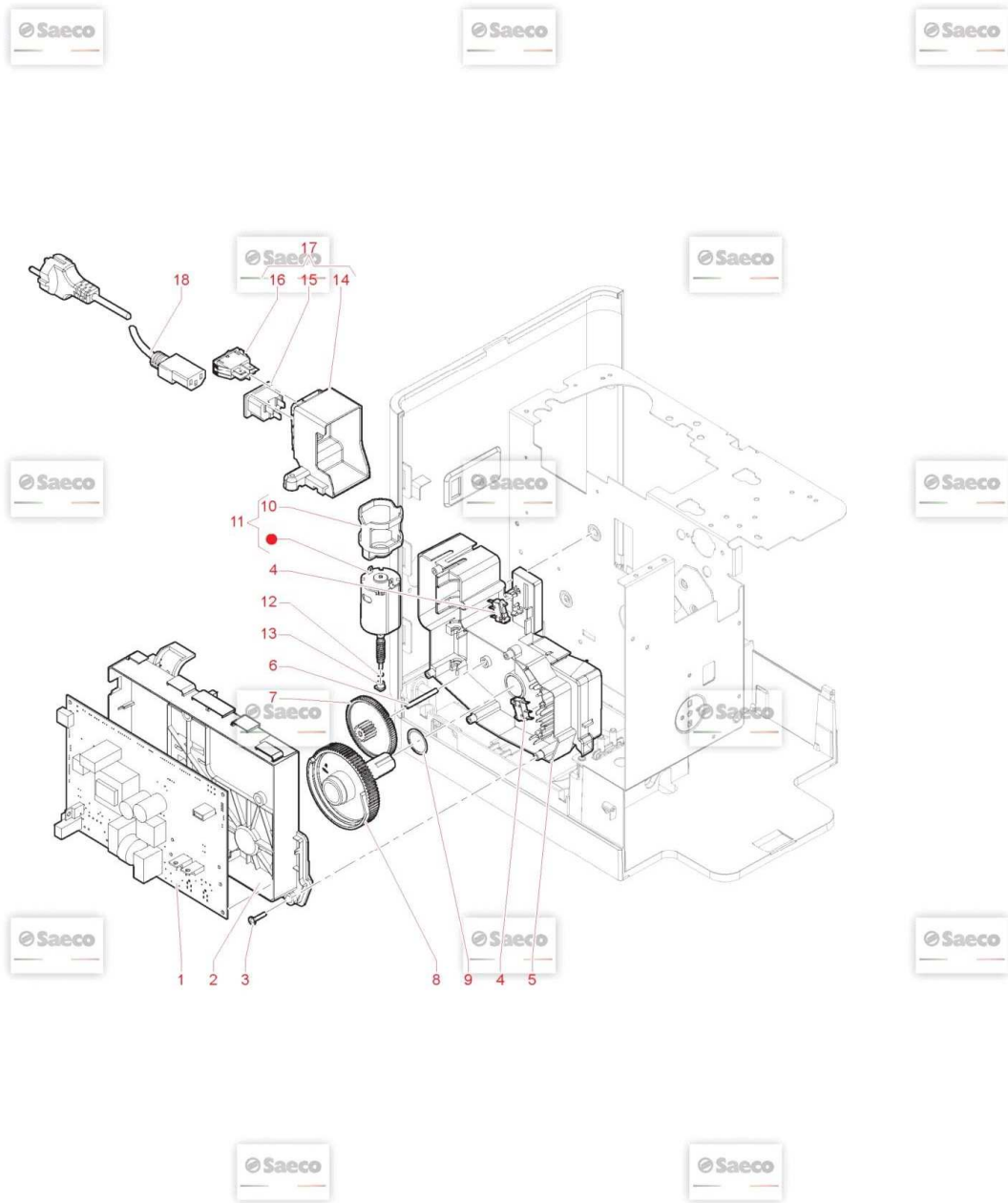
Pos.	Przedmiot	Zastapione przez	Opis	Notes
0001	265463		TABLET SUPPORT FRAME	
0002	265519		7" TABLET	
0003	265446		USB TABLET WIRING	
0004	265518		TABLET SUPPORT	
0005	12000450		SCREW TCBR TORX 10 3,5X12 PLAST.ZN-N	
0006	12000895		SCREW TSP TORX 10 3X10 PLAST.SS	
0007	265462		MILK TUBE COVER	
0008	265424		MILK FOAMER ASSEMBLY	
0009	U701.007		SNAP RING 6 UNI 7434	
0010	265470		FRONT	FOR 9J0400
0010	265524		FRONT	FOR 9J0450
0011	0V3126		MAGNET - ALL M/C	
0012	265465		WATER/COFFEE DISPENSER	
0013	265466		DOUBLE COFFEE DISPENSER	
0014	265509		MILK TUBE FITTING	
0015	265447		MOBILE DISPENSER SLEEVE	
0016	265480		CENTRAL SLEEVE INSERT	
0017	11036541		HOT WATER FILTER	
0018	265381		MICRO MILK FOAMER SUPPORT	
0019	265481		CLEAR LENS FOR LED	
0020	11025772		CAPPUCCINATORE BOARD RYL	
0021	17000421		BLACK CAPPUCCINATORE PRESENCEINSERT RYL	
0022	17000019		SS CARAFE MICRO INSERT SPRINGMYB9	
0023	265456		BOARD HOLDER COVER	
0024	265514		INNER PLATE FOR SLIDE	
0025	265513		OUTER PLATE FOR SLIDE	
0026	265487		SPRING FOR LATCH	
0027	265438		MILK FOAMER WIRING	
0028	265444		LED WIRING	
0029	265504		90° RAPID COUPLING FOR D.3 TUBE	
0030	260986		SNAP-ON SPRING	
0031	265505		WATER STEAM FITTING	
0032	140328059		OR 2015 SILICONE PTFE/FDA	
0033	129913902		SCREW TCB TORX 10 3X12 PLAST.ZN-B	
0034	265507		ROTATING COFFEE FITTING	
0035	265477		COFFEE FITTING GEAR	
0036	265525		GEAR PLATE	
0037	265460		MILK COLUMN COVER	
0038	265479		CHROME-PLATED LEFT OUTER INSERT	
0039	265478		CHROME-PLATED RIGHT OUTER INSERT	
0040	265453		AESTHETIC COVER	
0041	265430		AESTHETIC COVER ASSEMBLY	
0042	265458		LOWER COVER DISPENSER SUPPORT	
0043	265467		DOUBLE MILK DISPENSER	
0044	265503		SILICONE TIP	
0045	265457		COVER	
0046	265474		UPPER INLET GASKET	

Pos.	Przedmiot	Zastapione przez	Opis	Notes	Cena (EUR)
0047	265380		HORIZONTAL BODY		
0048	17000389		GREY LEFT CAPPUCCINATORE INSERT RYL		
0049	263235		TAPER SPRING		
0050	265499		LOWER MILK FOAMER PLATE		
0051	265508		STEAM INLET FITTING		
0052	NM01.058		OR 2031 SILICONE		
0053	265521		MILK DISTRIBUTION TUBE		
0054	265490		O-RING GASKET 2012		
0055	265512		AIR INLET NOZZLE		
0056	265432		INNER BODY ASSEMBLY		

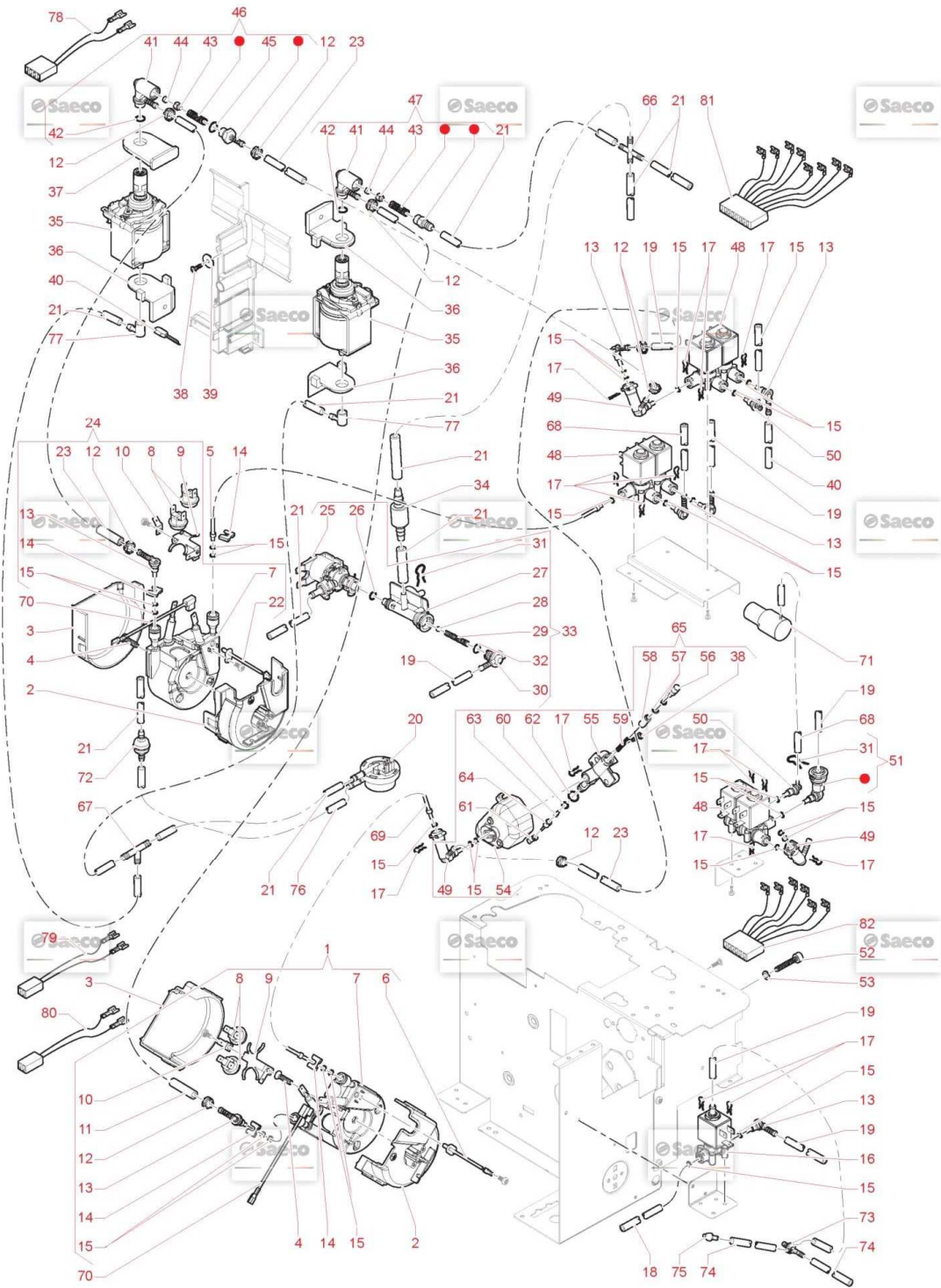


Pos.	Przedmiot	Zastapione przez	Opis	Notes	Cena (EUR)
------	-----------	------------------	------	-------	------------

0001	265454		GROUNDS TRAY COVER		
0002	9991.093		MAGNET D=9,5 X H=1,5		
0003	265433		BOTTOM TRAY ASSEMBLY		
0004	265469		WATER CONTAINER INSERT	FOR 9J0400	
0004	265526		WATER CONTAINER INSERT	FOR 9J0450	
0005	265523		WATER TANK		
0006	12001728		SCREW TCBR TORX 10 3,5X12 PLAST.SS		
0007	265449		LOWER SUPPORT CLOSURE		
0008	421941306721		CPU+SW WATER LEVEL SENSOR V3 ASSY.		
0009	421324705256		FOOT		
0010	265502		LEFT AESTHETIC PROFILE		
0011	263673		LEFT SIDE		
0012	265501		RIGHT AESTHETIC PROFILE		
0013	263675		GR. REM. DOOR		
0014	263672		USB SOCKET COVER		
0015	265531		3.5X12 SELF-TAPPING SCREW		
0016	263671		BACKBOARD		
0017	9111.765		GRATE		
0018	265024		FAN 40X40X20 24V		
0019	263917		MAGNETIC PLATE		
0020	265472		STAINLESS STEEL GRID		
0021	265439		DRAIN SENSOR WIRING		
0022	265445		REED SENSOR WIRING		



Pos.	Przedmiot	Zastapione przez	Opis	Notes	Cena (EUR)
0001	265418		CPU BOARD 230V		
0002	265517		BOARD SUPPORT		
0003	129670202		TCB PANELVIT SCREW 3,5X16 TESTA D=8 ZNP		
0004	263403		WIRED MICRO ASSEMBLY		
0005	11026258		GREY RATIOMOTOR CASING WITH TUBE ASSY.		
0006	9121.039		STEEL PIN FOR RATIOMOTOR GEARMAGIC		
0007	146002800		GREY GEAR Z=13/90 FOR RATIOMOTOR P124		
0008	265476		GEARMOTOR GEAR		
0009	9161.368		MYLAR WASHER FOR RATIOMOTOR		
0010	9121.044		ANTIVIBRATION FOR MOTOR		
0011	11005214		MOTOR FOR RATIOMOTOR ASSY.		
0012	148380200		BAKELIZZATE WASHER D=5,5		
0013	9121.046		BRONZE SINTERED BUSH FOR MOTORRATIOMOT.		
0014	17000162		BLACK SOCKET-SWITCH SUPPORT RYL		
0015	12001883		CUP SOCKET V3 EN 60320 C 13		
0016	242212625107		SWI POW 2P 16A 250V FASTON IEC1552 B		
0017	265431		CONNECTOR ASSEMBLY		
0018	263698	183911050	POWER SUPPLY CABLE		



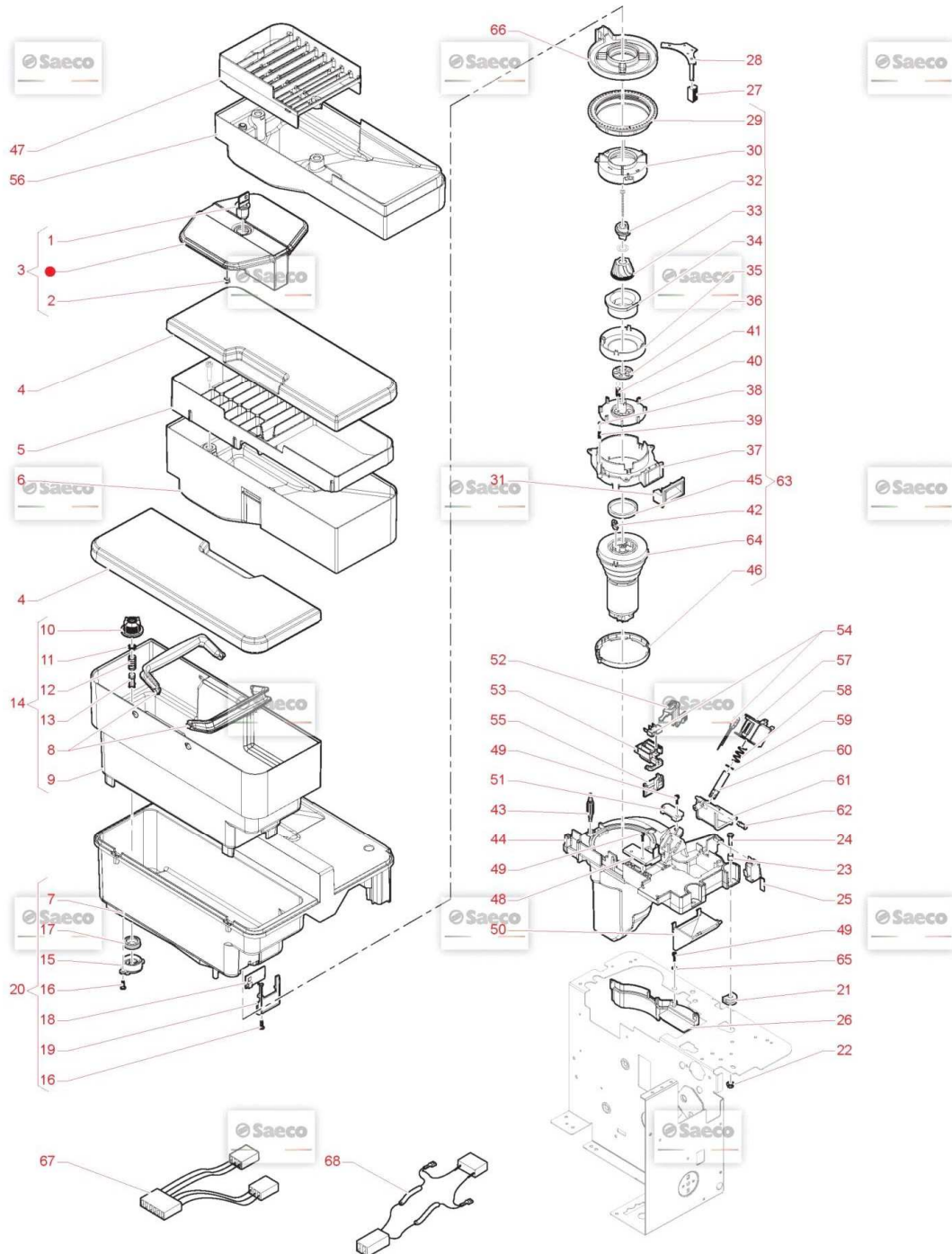


Pos.	Przedmiot	Zastapione przez	Opis	Notes	Cena (EUR)
0001	265532		COFFEE BOILER ASSEMBLY		
0002	265461		BOILER REAR COVER		
0003	265459		BOILER FRONT COVER		
0004	12001280		SCREW TSP TORX 10 5X20 PLAST.ZN-B		
0005	265426		TEFLON HOSE ASSEMBLY 2X4 WITHFITTINGS L=180MM		
0006	17800628		TEMPERATURE SENSOR NTC UL L=550MM		
0007	265419		SINGLE PASS BOILER 1300W 230V		
0008	12001033		THERMOSTAT ONE SHOT 190°		
0009	421944012251		STEEL BOILER THERMOS.FIXING SPRING TRX1		
0010	124390520		BRASS BENT FASTON 45° 6,3X0,8		
0011	265534		SILICONE TUBE 5X8.9		
0012	12000892		OETIKER CLAMP D=9,5 16700004		
0013	421944059391		WHT CONNECT.FAST LOCK 90 SILIC.TUBE PPS		
0014	260986		SNAP-ON SPRING		
0015	140328059		OR 2015 SILICONE PTFE/FDA		
0016	265468		SOLENOID VALVE 3WAY 24V		
0017	9011.144		SS FORK FOR TUBE D=4		
0018	265428		TEFLON HOSE ASSEMBLY 2X4 WITHFITTINGS L=350MM		
0019	253714		TRANSPARENT HOSE 4X8		
0020	NV99.099		TURBINE D=1,2 ASSY.		
0021	265413		5X10 SILICONE TUBE -PER METRE-		
0022	190800100		TEMPERATURE SENSOR NTC UL L=280MM		
0023	265415		5X8.9 SILICONE TUBE -PER METRE-		
0024	265535		STEAM BOILER ASSEMBLY		
0025	265522		SOLENOID PILOT VALVE 24V		
0026	NM01.028		O-RING 106 SILICONE		
0027	265464		VALVE BODY		
0028	421944034451	R421944034451	BOROSILICATE SPHERE D.5 MM		
0029	265486		CONICAL SPRING		
0030	265510		VALVE BODY OUTLET FITTING		
0031	11005096		SS FORK SPRING FOR BLOWDOWN VALVE P0049		
0032	265493		O-RING GASKET 0080-15		
0033	265536		DRIP SLEEVE ASSEMBLY		
0034	258779		CHECK VALVE - OP/KA/KAR/LR		
0035	12000140		PUMP 230V-50HZ		
0036	149205850		BLACK TYPE ULKA PUMP W/ BEVEL SUPPORT		
0037	257894		SUPPORT PUMP		
0038	12000450		SCREW TCBR TORX 10 3,5X12 PLAST.ZN-N		
0039	093716		PLATE WASHER SELECTION OPENING		
0040	265417		PUMP WIRING		
0041	11002149		BLACK PUMP OUTLET 90°CONNECTORP0049/A		

Pos.	Przedmiot	Zastapione przez	Opis	Notes	Cena (EUR)
------	-----------	------------------	------	-------	------------

0042	140321961		O-RING 2031 NFDA NBR 70 FDA		
0043	11001678	11035987	TEA/BRASS BUSH CH 7 FOR SAFETYVALVE		
0044	145848865		VITON SEAL D=6 TH=3 FOR SAFETYVALVE		
0045	251556		OR 2037 SEAL		
0046	265429		SAFETY VALVE ASSEMBLY 6 BAR		
0047	11035987		SAFETY VALVE 20/22 bar ASSY.		
0048	265437		2SV. 2WAY UNIT Ø2.3		
0049	263690		ELBOW JOINT		
0050	265504		90° RAPID COUPLING FOR D.3 TUBE		
0051	265416		AS SUPPORT LAMELLA HOLE CALIB		
0052	11003555		GALVANIZED SELF-TAPPING SCREW4,8X32		
0053	128310521		WASHER UNI 8842 A5 SS		
0054	17000156		BLACK HOT WATER PIN SUPPORT RYL		
0055	9161.434		HOT WATER PIN		
0056	11026413		TEA/BRASS HOT WATER PIN PLUG RYL		
0057	140326662		OR ORM 0040-20 SILICONE		
0058	11009012		TEA/BRASS BOILER PIN BUSH		
0059	9011.132		SS SPRING FOR PIN		
0060	NM01.057		OR ORM 0050-20 IN SILICONE		
0061	11005099		NATURAL CURSOR V2 FOR BOILER P119		
0062	NM01.035		OR ORM 0090-20 SILICONE		
0063	264936		PIN X PISTON L = 10 OT / LF		
0064	11009019		TEA/BRASS PISTON L=20,9 ASSY.		
0065	263694		HOT WATER PIN ASS.		
0066	11036581		TRANSP.CROSS CONNECTOR D=8 RYLO V2		
0067	NV99.004		CONNECTOR T MORONI 8026047 D=8		
0068	265414		2X4 TRANSPARENT SILICONE TUBE		
0069	265427		TEFLON HOSE ASSEMBLY 2X4 WITHFITTINGS L=200MM		
0070	17800614		BLACK CABLE 1WIRE SILIC.130 MM		
0071	265450		COMPRESSOR		
0072	12001595		TRANSP/WHITE ASPIRATION FILTERMDS		
0073	265506		MILK/SV. HOSES CONNECTION FITTING		
0074	265527		3.5X6 SILICONE TUBE		
0075	265516		MILK TUBE RESTRICTOR Ø1.3		
0076	265544		PIPE ASSEMBLY WITH CAPELLARY		
0077	252021		PIPETTE		
0078	265443		ELECTROPILOT WIRING		
0079	265421		STEAM BOILER CONNECTION WIRING		
0080	265420		ESPRESSO BOILER CONNECTION WIRING		
0081	265442		WIRING 4 SOLENOID VALVES		

Pos.	Przedmiot	Zastapione przez	Opis	Notes	Cena (EUR)
0082	265441		WIRING 3 SOLENOID VALVES		

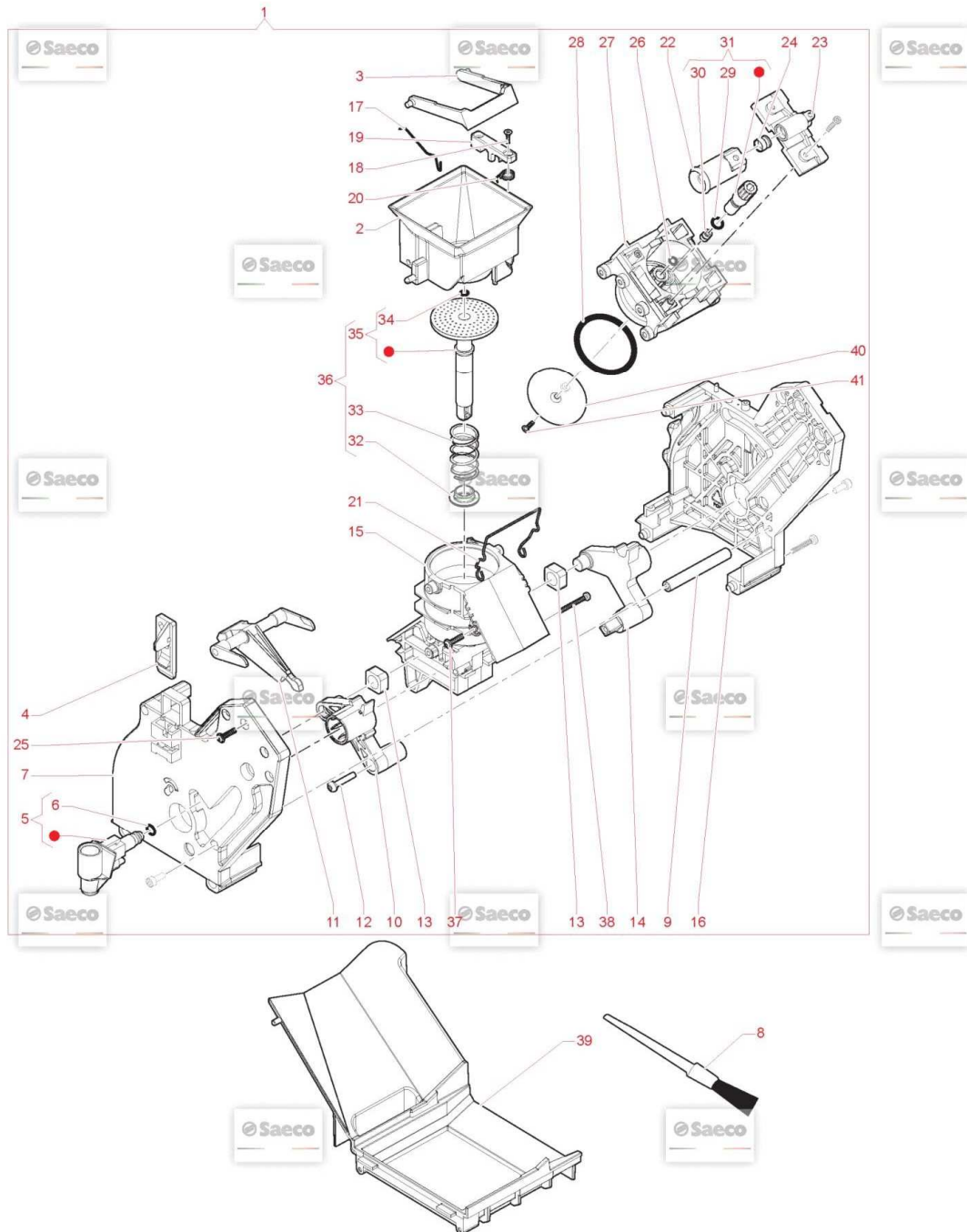


## Magic

Pos.	Przedmiot	Zastąpione przez	Opis	Notes	Cena (EUR)
------	-----------	------------------	------	-------	------------

0001	12001902		LOCK MERONI 337		
0002	421944006631		BLK MECH.OPENING LEVER PROTECTION TRX5		
0003	265435		COVER CLOSURE ASSEMBLY		
0004	265455		WATER TANK COVER		
0005	265471		COFFEE CONTAINER GRID		
0006	265451		BEANS CONTAINER		
0007	263674		UPPER COVER		
0008	265485		WATER TANK HANDLE		
0009	263886		TANK H2O RY18 Z.B.	FOR 9J0450	
0009	265533		WATER TANK	FOR 9J0400	
0010	11036095		WHITE WATER CONTAINER EXT.FILTER ASSY.UJ		
0011	140324362		OR ORM 0060-30 SILICONE		
0012	126764718		SS WATER CONTAINER VALVE SPRING		
0013	147660562	421941089692	GREY PISTON FOR WATER CONTAINER VALVE		
0014	263696		TANK SUPPORT	FOR 9J0450	
0014	265434		WATER TANK ASSEMBLY	FOR 9J0400	
0015	264197		SINGLE TANK TUBE CONNECTION		
0016	12000450		SCREW TCBR TORX 10 3,5X12 PLAST.ZN-N		
0017	145842900		NBR WATER CONT.VALVE GACO DIM14 SEAL		
0018	421941306721		CPU+SW WATER LEVEL SENSOR V3 ASSY.		
0019	17000391		BLACK WATER LEVEL SENSOR SUPPORT RYL		
0020	263695		UPPER COVER ASS.		
0021	9991.005		RUBBER FOR COFFEE GRINDER		
0022	259231		NUT M4 - GRIP - SIG/KR/SW/TW		
0023	9141.003		SPACER FOR RUBBER		
0024	U043.004	12002052	ZN-B TCB TORX 20 M4X16 ZN-B		
0025	265448		MICRO DOOR WIRING		
0026	17000832		GRY COFF.GRINDING/DOSE ADJUST.SCALE RYLO		
0027	0333.009		BLK GRINDING ADJUST.LEVER HANDGRIP ROYAL		
0028	0333.008		STEEL GRINDING ADJUSTMENT LEVER		
0029	146570950		RING NUT FOR GRINDING ADJUSTMENT MAGIC		
0030	149186150		BLACK UPPER GRINDER SUPPORT MAGIC		
0031	264944		GASKET DOSER X 15G GROUP 15 g		
0032	147470763		BLK INCREASE SCREW PIN COF.GRINDER MAGIC		
0033	9141.040		CONICAL GRINDER		
0034	9141.039		UPPER GRINDER		
0035	142844550		UPPER GRINDER COVER COFFEE GRIND. MAGIC		
0036	9141.042	149188750	SAFETY RING		
0037	264937		AS.CONVOGLIATORE WITH LAMELLA		
0038	128610421		STAIL.STELL AISI 304 SPHERE D=3,2MM		

Pos.	Przedmiot	Zastapione przez	Opis	Notes	Cena (EUR)
0039	126770117		NEW SPRING SPHERE D=3,2 MOTORMAGIG		
0040	9141.028	149188750	BLACK LOWER GRINDER SUPPORT MAGIC		
0041	126765517		STEEL SPRING SPHERE D=5,5 MOTOR MAGIC		
0042	140230400		SHOCK ABS .CONICAL GRINDER SUPP.MAGIC		
0043	9991.103		ANTIVIBRATION FOR COFFEEGRINDER		
0044	265498		COFFEE GRINDER PLATE		
0045	140360200		FELT RING 40X34X5		
0046	264203		MC EVO REINFORCEMENT RING		
0047	263669		COFFEE CONTAINER RACK		
0048	17001155		GREY COVER FOR DOSER HOLE RYL		
0049	129913902		SCREW TCB TORX 10 3X12 PLAST.ZN-B		
0050	9161.079.150		GREY GRIND COFFEE CONVEYOR MAGIC		
0051	265497		DOSING LEVER FIXING PLATE		
0052	9161.077.150		DOSE ADJUSTMENT LEVER DE LUXEGREY		
0053	9161.072.150		GREY MICRO SUPP.CURSOR GROUNDCOF.DOSER		
0054	421946000921		COIL WIRING+DOSER MICRO V2 RYLUL ASSY.		
0055	9161.073.150		GREY GROUND COF.DOSE CONTROL COMPENSATOR		
0056	263668		COFFEE CONTAINER		
0057	11025734		DOSER COIL FOR SUPERAUTOM.24VDC ASSY.		
0058	126764818		SPRING ELECTROM.BEAN DOSER MAGIC		
0059	U701.003		SNAP RING 7 UNI 7434		
0060	265489		DOSER ELECTROMAGNET CORE		
0061	265515		COFFEE DOSER DOOR		
0062	9161.076.150		GREY GROUND COF.DOSER DOOR PIN		
0063	264920		AS. NARROW GRINDER 230V		
0064	265372		COFFEE GRINDER MOTOR ASSEMBLY		
0065	265528		FLAT WASHER 3X9		
0066	1505.020		GASKET COFFEE GRINDER UL		
0067	265440		SENSOR WIRING		
0068	263402		CONDENSER WITH WIRING		



## Magic



Pos.	Przedmiot	Zastąpione przez	Opis	Notes	Cena (EUR)
0001	265473		COFFEE UNIT 15G		
0002	265379		HOPPER UNIT 15GR		
0003	265511		SCRAPER UNIT 15G		
0004	265494		COFFEE UNIT CONNECTION PLATE		
0005	265423		WATER INLET SLEEVE		
0006	NM02.007		OR 2025 IN TERMOIL		
0007	265500		REAR PLATE UNIT		
0008	127390100		BRUSH FOR CLEANING		
0009	9161.298		BRASS SPACER		
0010	120080722		ALUM.FEMALE ELBOW SHAFT		
0011	265436		CONNECTING ROD UNIT 15g		
0012	129574421		SCREW TCB PH/TT 4X20 UNI 8112ST.ST		
0013	9161.094.050		BLACK BREW UNIT DRILLED BLOCK		
0014	120080622		ALUM.MALE ELBOW SHAFT		
0015	265545		COFFEE CONTAINER ASSEMBLY		
0016	265495		COFFEE UNIT FRONT PLATE		
0017	265488		SCRAPER SPRING		
0018	12000895		SCREW TSP TORX 10 3X10 PLAST.SS		
0019	265496		HOPPER FIXING PLATE		
0020	9161.378		SS HOPPER SPRING FOR BREW UNITSMART		
0021	11001556		SS BREW UNIT SPRING H=49 SMART		
0022	265520		GASKET RETAINER HEAD		
0023	265484		COFFEE OUTLET SLEEVE		
0024	265475		GASKET SEAL SLEEVE		
0025	265529		4X12 STAINLESS STEEL SCREW FORPLASTIC		
0026	140328059		OR 2015 SILICONE PTFE/FDA		
0027	265452		COUNTERPISTON UNIT 15G		
0028	265491		O-RING GASKET 0400-40		
0029	265492		O-RING GASKET 0060-20		
0030	NF11.067		BRASS INSERT FOR PERCOLATOR LOCKING PIN		
0031	227470150		PIN BLACK ASS.FOR PERCOLATOR		
0032	9161.230.150		NEUTRAL BUSH FOR PISTON GREY		
0033	9161.229		SPRING FOR PISTON 9GR.		
0034	140328059		OR 2015 SILICONE PTFE/FDA		
0035	265425		PISTON ASSEMBLY WITH CAP UNIT15G		
0036	265422		COFFEE UNIT PISTON ASSEMBLY 15G		
0037	129912521		SCREW TCB TORX 10 3,5X14 PLAST.SS		
0038	12000550		SCREW TCB TORX 10 3X25 PLAST.SS		
0039	263687		CAFFE' GROUP SUPPORT		
0040	11009224		PERCOLATOR D.45		
0041	265530		M3X25 STAINLESS STEEL SCREW		